

**MANNESMANN  
REXROTH**

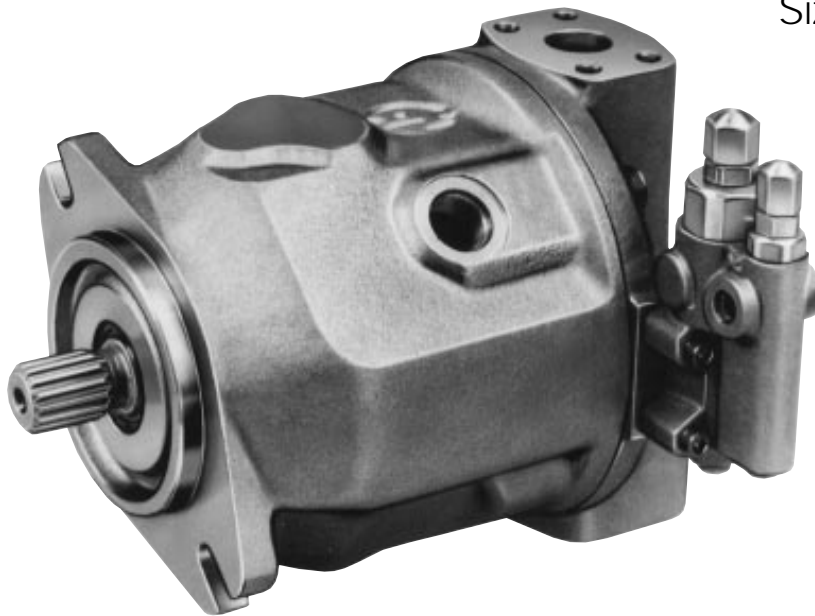
Mobile Division

**E**

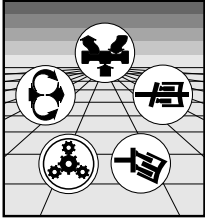
**Service Parts List**

**A10VO**

Series 31  
Size 28



RA 92701-02-E  
12.94



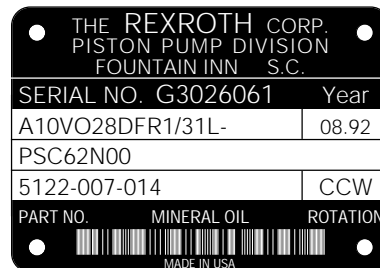
# MANNESMANN REXROTH

## Ordering of Parts

For Rexroth to supply the correct parts for your unit, please include all of the following information along with your parts order.

**Model Code**  
**Serial Number**  
**Unit Number**  
**Part Name**  
**Part Number**

Due to modifications and improvements to our products, minor changes can occur to the parts, even though the type code may not necessarily reflect these changes. The type number and serial number will guarantee that the correct parts for your unit are supplied.



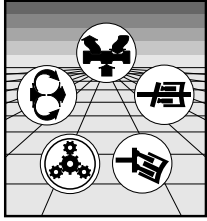
## Ordering Example

To order a replacement rotary group for an A10VO variable displacement pump having the above nameplate, the following information would be required.

<b>+ Model Code</b>	<b>A10VO28DFR1/31L-PSC62N00</b>
<b>+ Serial Number</b>	<b>G3026061</b>
<b>+ Unit Number</b>	<b>5122-007-014</b>
<b>* Part Name</b>	<b>Rotary Group</b>
<b>* Part Number</b>	<b>BH00911928</b>

+ This information is taken from the nameplate on the pump.

\* This information is taken from the Service Parts List.



# MANNESMANN REXROTH

## Index

### Assembly Views and Parts

A10 Assembly . . . . . 4–7

### Sub-Assembly Views and Parts

#### Rotary Groups

BH00911928 . . . . . 8–9

BH00958654 . . . . . 10–11

#### Control Pistons

BH00911162 . . . . . 12–13

BH00911164 . . . . . 14–15

BH00925158 . . . . . 16–17

#### Compensators

BH00907094 . . . . . 18–19

BH00907095 . . . . . 18–19

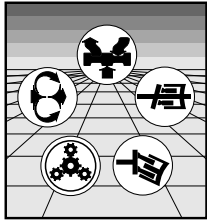
BH00907096 . . . . . 18–19

BH00907370 . . . . . 18–19

BH00907371 . . . . . 18–19

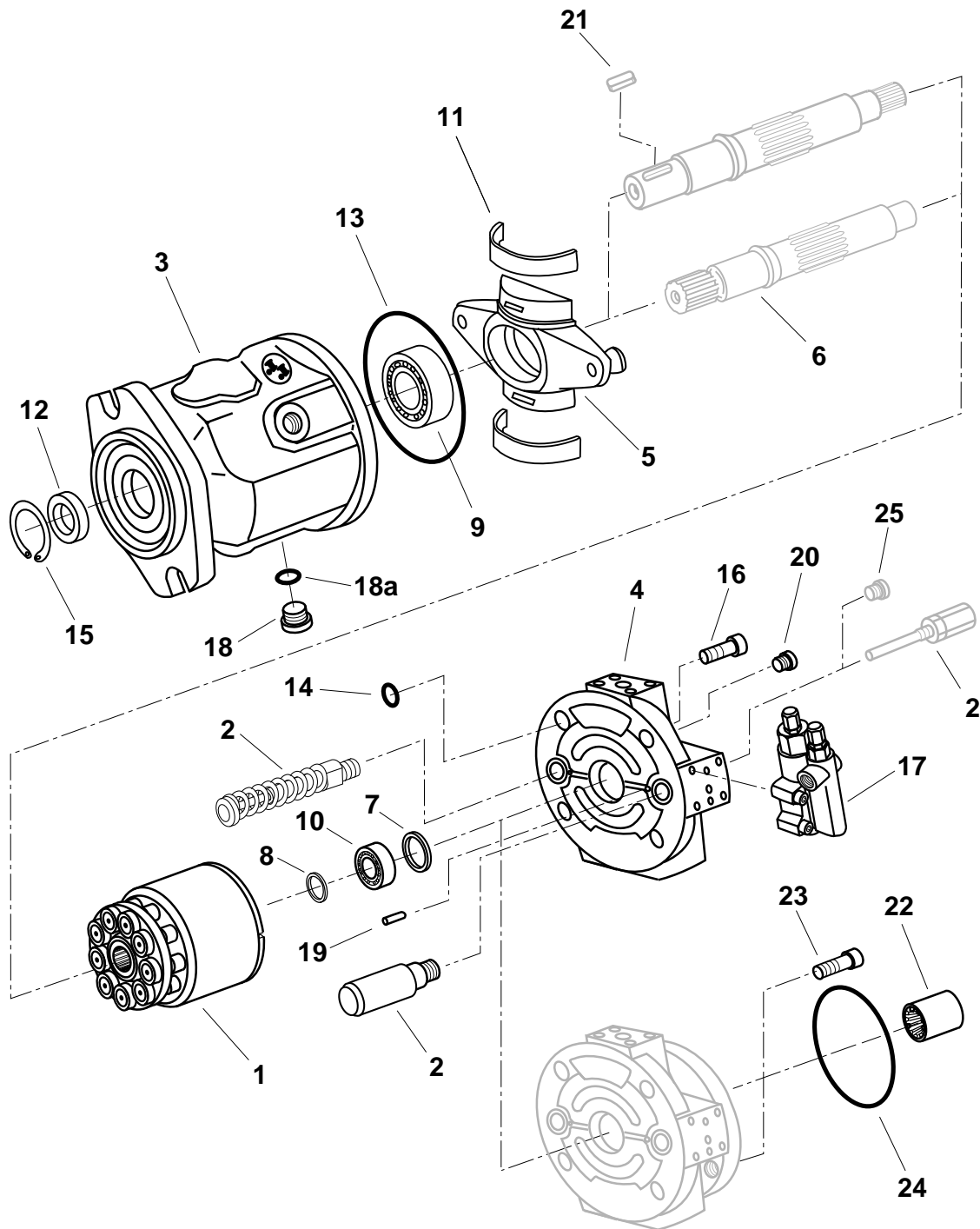
BH00908384 . . . . . 18–19

Note Page . . . . . 20

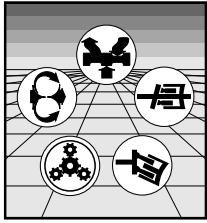


# MANNESMANN REXROTH

Assembly Number  
**A10V(S)O28**



## Variable Displacement Pump A10VO28, Series 31



# MANNESMANN REXROTH

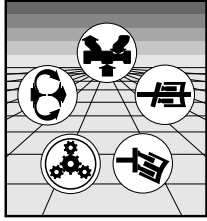
Assembly Number  
**A10V(S)O28**

Item	Description	Qty	Part Number	Code
1	Rotary Group Assembly A10V(S)O28..L	1	BH00911928	■
1	Rotary Group Assembly A10V(S)O28..R	1	BH00958654	◆
2	Control-Piston Assembly	1	BH00911162	
2	Control-Piston Assembly (ASL Buna)	1	BH00911164	
2	Control-Piston Assembly (ASL FPM)	1	BH00925158	
3	Pump Housing	1	BH00915773	
4	Block-Port A10VO28/3XL...61N00	1	5120-542-008	
4	Block-Port A10VO28/3XL...62N00	1	5120-542-001	
4	Block-Port A10VO28/3XL...62K01	1	5120-542-002	
4	Block-Port A10VO28/3XL...62K02, K03	1	5120-542-003	
4	Block-Port A10VO28/3XR...61N00	1	5120-542-007	
4	Block-Port A10VO28/3XR...62N00	1	5120-542-004	
4	Block-Port A10VO28/3XR...62K01	1	5120-542-005	
4	Block-Port A10VO28/3XR...62K02, K03	1	5120-542-006	
5	Cradle Assembly A10V(S)O28/3XL	1	BH00960999	■
5	Cradle Assembly A10V(S)O28/3XR	1	BH00960813	◆
6	Shaft-Drive 13T W/O T/Drive	1	BH00923789	
6	Shaft-Drive 13T With T/Drive	1	BH00926327	
6	Shaft-Drive Keyed W/O T/Drive	1	BH00926330	
6	Shaft-Drive Keyed With T/Drive	1	BH00926328	
7	Washer	1	BH00744158	
8	Adjusting Disc A10V(S)O28 (2.50 mm)	1	BH00939013	
8	Adjusting Disc A10V(S)O28 (1.90 mm)	0	B939013-190	
8	Adjusting Disc A10V(S)O28 (1.95 mm)	0	B939013-195	
8	Adjusting Disc A10V(S)O28 (2.00 mm)	0	B939013-200	
8	Adjusting Disc A10V(S)O28 (2.05 mm)	0	B939013-205	
8	Adjusting Disc A10V(S)O28 (2.10 mm)	0	B939013-210	
8	Adjusting Disc A10V(S)O28 (2.15 mm)	0	B939013-215	
8	Adjusting Disc A10V(S)O28 (2.20 mm)	0	B939013-220	
8	Adjusting Disc A10V(S)O28 (2.25 mm)	0	B939013-225	
8	Adjusting Disc A10V(S)O28 (2.30 mm)	0	B939013-230	
8	Adjusting Disc A10V(S)O28 (2.35 mm)	0	B939013-235	
8	Adjusting Disc A10V(S)O28 (2.40 mm)	0	B939013-240	

■ Contained in Rotary Group Kit 5120-635-009

◆ Contained in Rotary Group Kit 5120-635-010

## Variable Displacement Pump A10VO28, Series 31



# MANNESMANN REXROTH

Assembly Number  
**A10V(S)O28**

Item	Description	Qty	Part Number	Code
8	Adjusting Disc A10V(S)O28 (2.45 mm)	0	B939013-245	
9	Bearing-Tapered Roller	1	70109-001	▲
10	Bearing-Tapered Roller	1	70109-002	▲
11	Cradle Bearing	2	BH00902778	▲
12	Shaft Seal (FPM)	1	BH00794325	* ★
13	O-Ring (75/80 Duro Buna 2.5 x 148)	1	68111-041	*
13	O-Ring (75/80 Duro FPM 2.5 x 148)	1	68112-170	★
14	O-Ring (75/80 Duro Buna 13 x 2.0)	4	68111-040	*
14	O-Ring (75/80 Duro FPM 13 x 2.0)	4	68112-033	★
15	Seeger V-Ring	1	BH00791407	
16	Cap Screw (M10 x 30 DIN 912-10.9)	4	60119-110	
17	Control Valve Assembly, DFR (Buna)	1	BH00907094	
17	Control Valve Assembly, DR (Buna)	1	BH00907095	
17	Control Valve Assembly, DFR1 (Buna)	1	BH00907096	
17	Control Valve Assembly, DFR (FPM)	1	BH00907371	
17	Control Valve Assembly, DR (FPM)	1	BH00907370	
17	Control Valve Assembly, DFR1 (FPM)	1	BH00908384	
18	Plug (SAE 3/4-16) (Buna)	1	76107-008	
18	Plug (SAE 3/4-16) (FPM)	1	76122-008	
18a	O-Ring (90 Duro Buna, PRP 908)	1	68105-908	* ▸
18a	O-Ring (75 Duro FPM, PRP 908)	1	68106-908	★ □
19	Dowel Pin (6 x 18 mm DIN 6325)	1	69116-004	
20	Plug (Buna M10 x 1.0 DIN 3852)	1	76116-004	*
20	Plug (FPM M10 x 1.0 DIN 3852)	1	76123-002	★
21	Key	1	BH00751138	
22	Coupling A10V(S)O28/..K01	1	BH00943539	
22	Coupling A10V(S)O28/..K02	1	BH00943542	
22	Coupling A10V(S)O28/..K03	1	BH00764981	
23	Cap Screw (M10 x 25 DIN 912-8.8) K01	2	60118-111	

\* Contained in Buna Seal Kit 5120-635-005

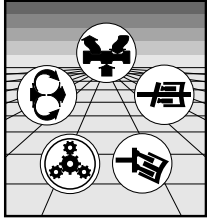
★ Contained in FPM Seal Kit 5120-635-012

▲ Contained in Bearing Kit 5120-635-013

▸ Included with 76107-008

□ Included with 76122-008

Variable Displacement Pump A10VO28, Series 31



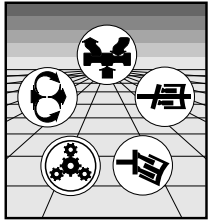
# MANNESMANN REXROTH

Assembly Number  
**A10V(S)O28**

Item	Description	Qty	Part Number	Code
23	Cap Screw (M12 x 30 DIN 912-8.8) K02, K03	2	60118-139	
24	O-Ring (75/80 Duro Buna 2 x 83) K01	1	68111-042	*
24	O-Ring (75/80 Duro FPM 2 x 83) K01	1	68112-167	★
24	O-Ring (75/80 Duro Buna 2 x 103) K02, K03	1	68111-208	*
24	O-Ring (75/80 Duro FPM 2 x 103) K02, K03	1	68112-165	★
25	Plug (Buna M10 x 1.0 DIN 3852)	1	76116-004	*
25	Plug (FPM M10 x 1.0 DIN 3852)	1	76123-002	★

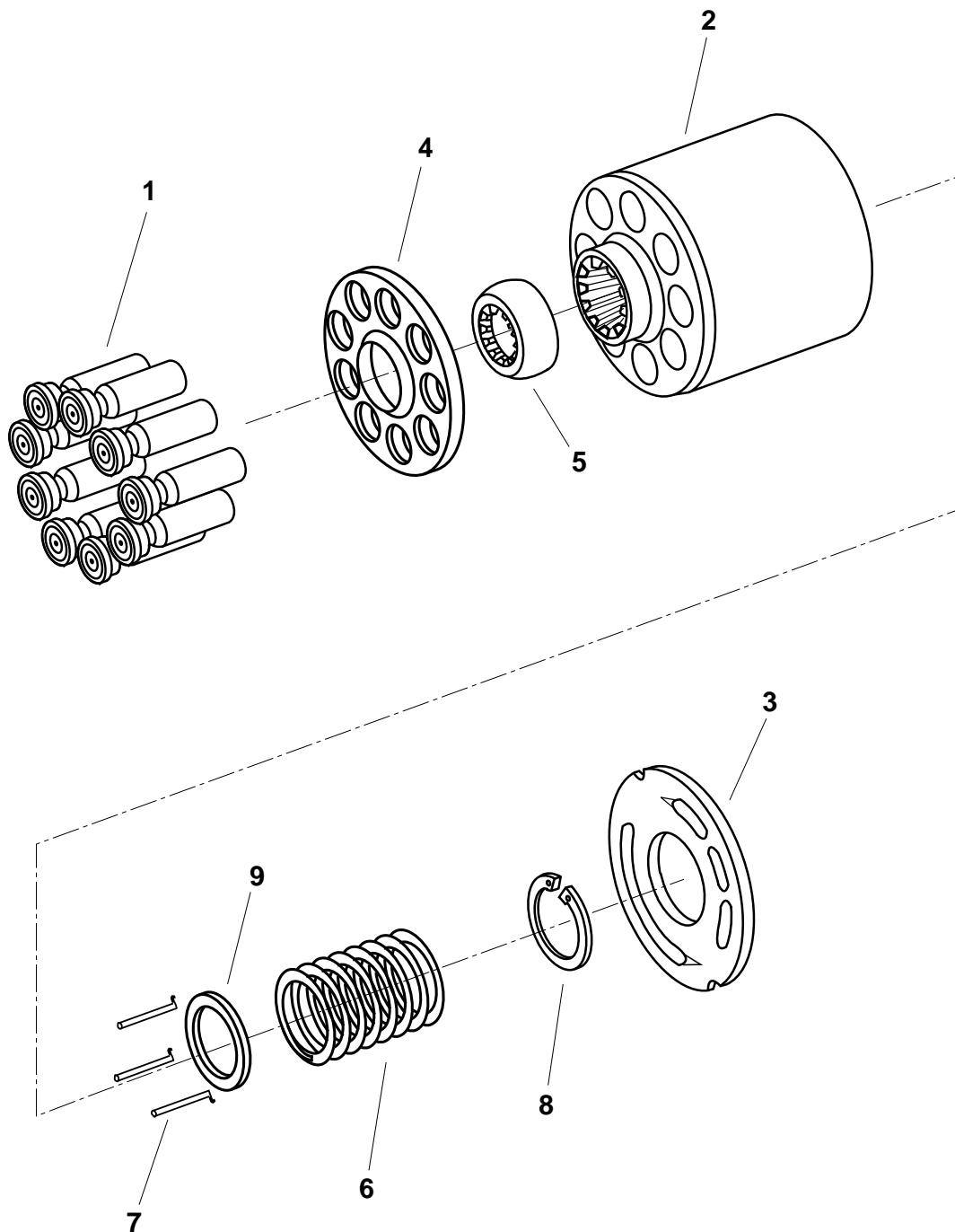
\* **Contained in Buna Seal Kit 5120-635-005**

★ **Contained in FPM Seal Kit 5120-635-012**



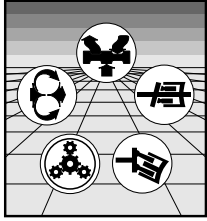
# MANNESMANN REXROTH

Assembly Number  
**BH00911928**





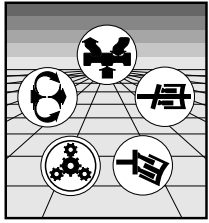
## Variable Displacement Pump A10VO28, Series 31



# MANNESMANN REXROTH

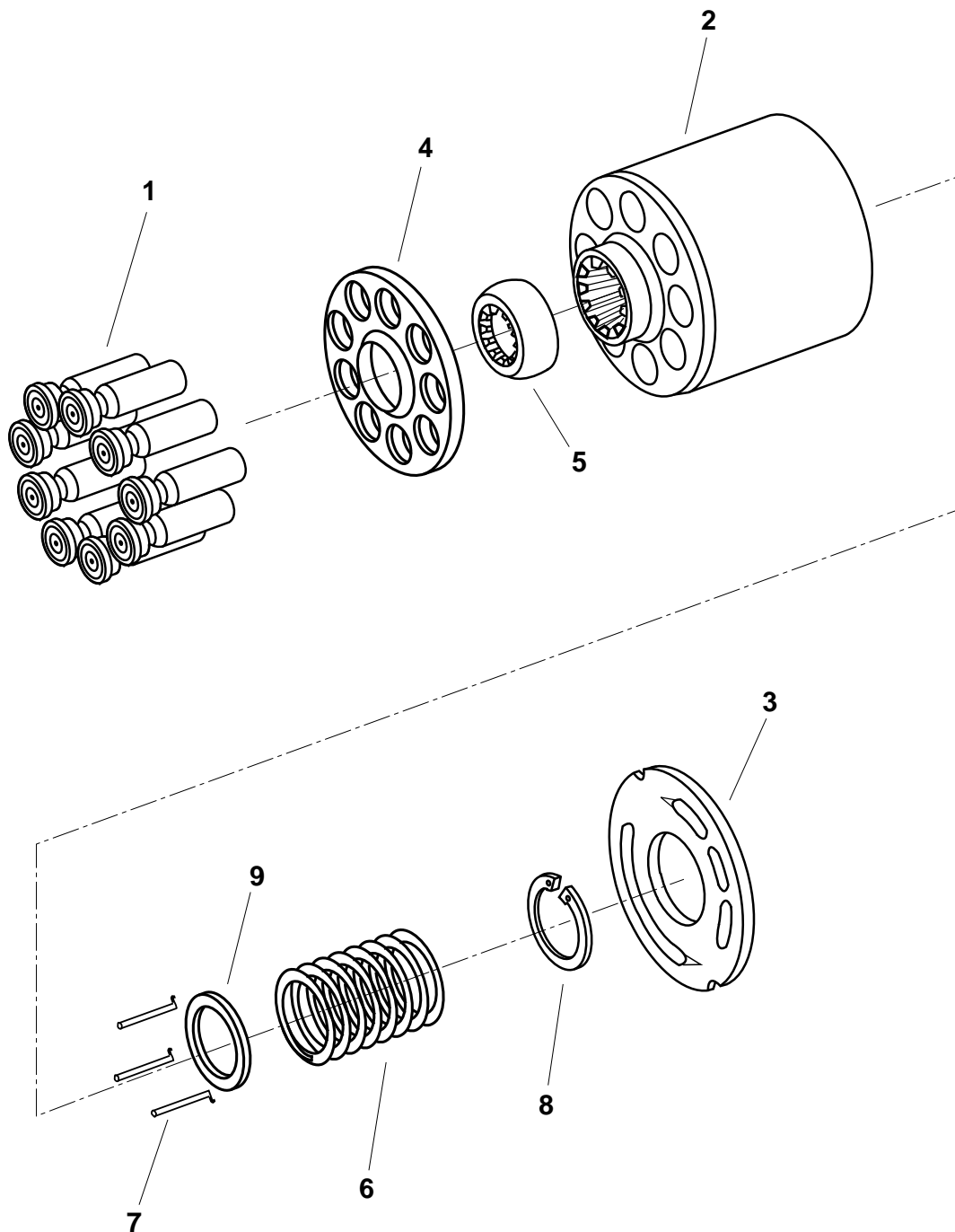
Assembly Number  
**BH00911928**

Item	Description	Qty	Part Number	Code
1	Piston	9	BH00925459	
2	Barrel A10V28	1	BH00907125	
3	Lens Plate A10V28/..L	1	BH00936647	
4	Retaining Plate	1	BH00942514	
5	Retaining Ball	1	BH00944743	
6	Spring	1	BH00924891	
7	Pressure Pin	3	BH00785407	
8	Retaining Ring 33 x 1.2	1	BH00918933	
9	Disc-Retaining Clip 31 x 22.6 x 2	1	BH00939048	

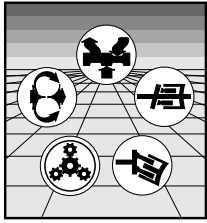


# MANNESMANN REXROTH

Assembly Number  
**BH00958654**



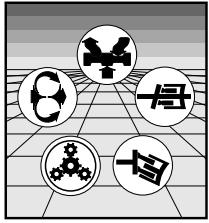
## Variable Displacement Pump A10VO28, Series 31



# MANNESMANN REXROTH

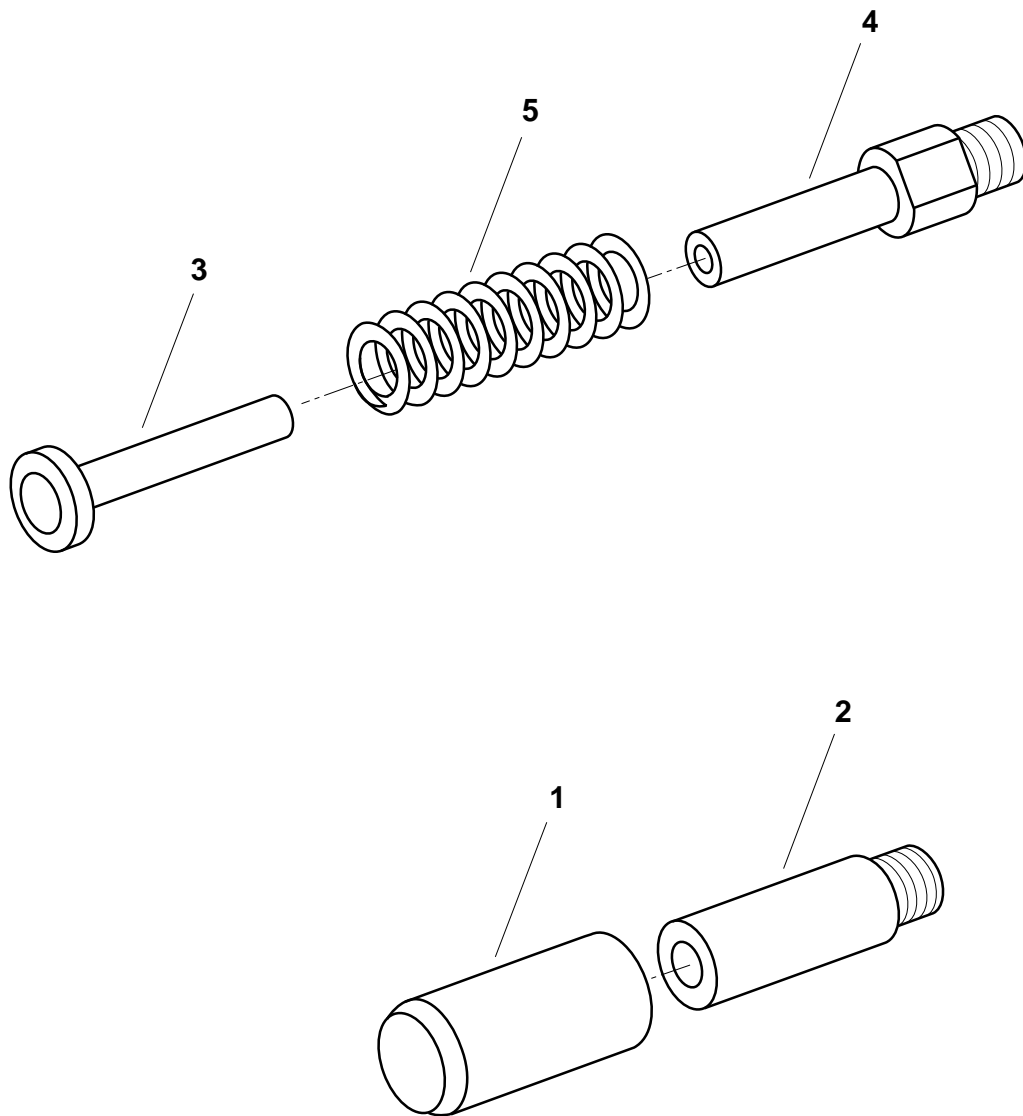
Assembly Number  
**BH00958654**

Item	Description	Qty	Part Number	Code
1	Piston	9	BH00925459	
2	Barrel A10V	1	BH00907125	
3	Lens Plate A10V28/..R	1	BH00936648	
4	Retaining Plate	1	BH00942514	
5	Retaining Ball	1	BH00944743	
6	Spring	1	BH00924891	
7	Pressure Pin	3	BH00785407	
8	Retaining Ring 33 x 1.2	1	BH00918933	
9	Disc-Retaining Clip 31x 22.6 x 2	1	BH00939048	

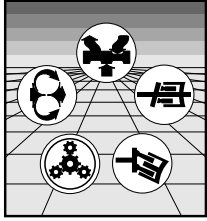


# MANNESMANN REXROTH

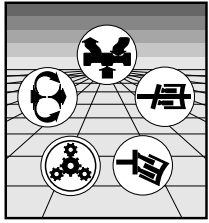
Assembly Number  
**BH00911162**



Variable Displacement Pump A10VO28, Series 31

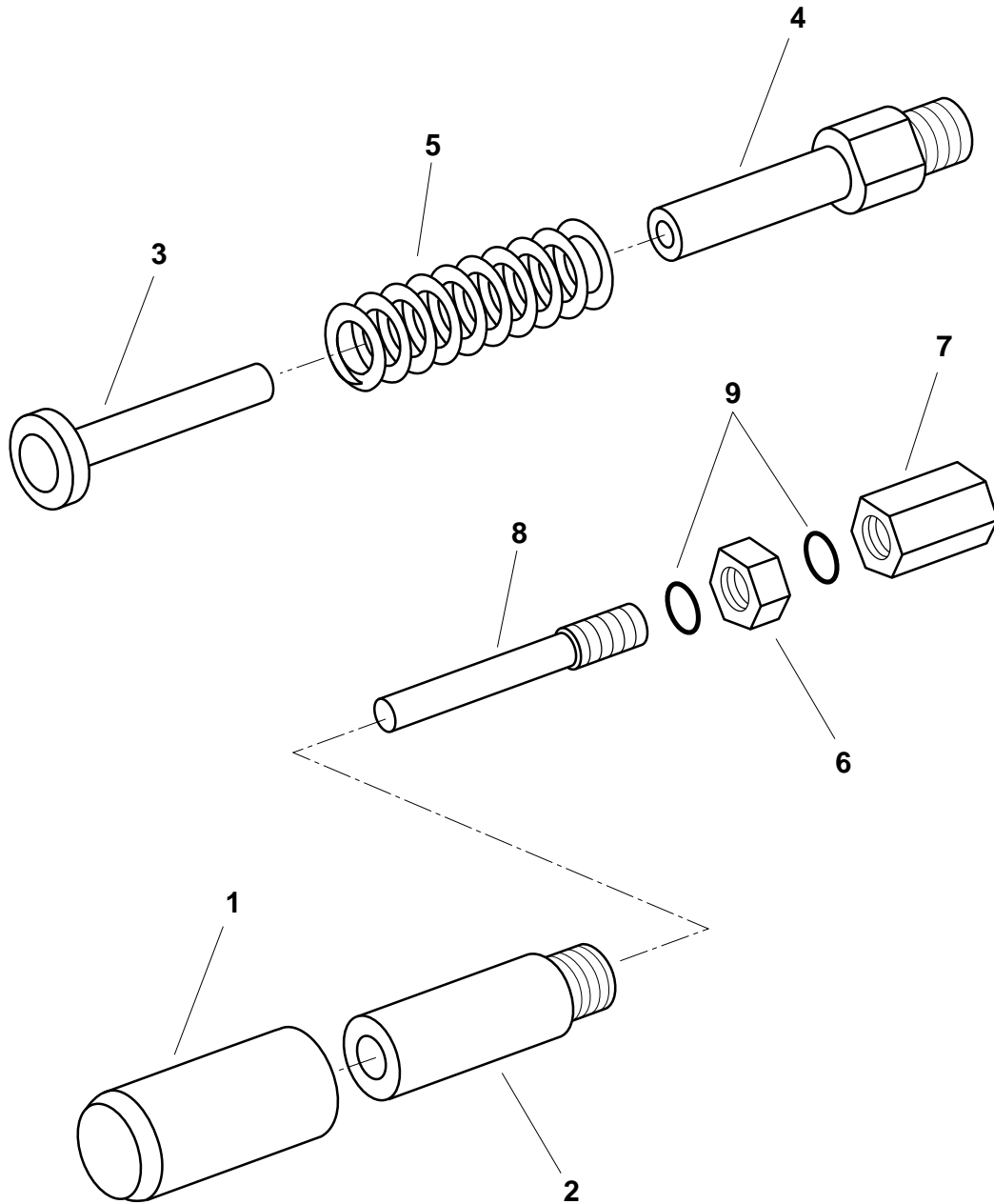
**MANNESMANN  
REXROTH**Assembly Number  
**BH00911162**

Item	Description	Qty	Part Number	Code
1	Control Piston	1	BH00910645	
2	Control Piston Guide	1	BH00910646	
3	Counter Piston	1	BH00908999	
4	Counter Piston Guide	1	BH00737283	
5	Spring	1	BH00799041	

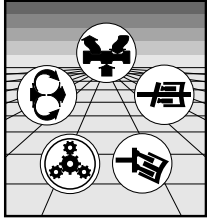


# MANNESMANN REXROTH

Assembly Number  
**BH00911164**



Variable Displacement Pump A10VO28, Series 31

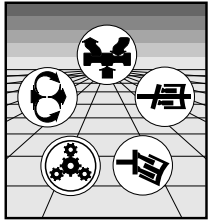


# MANNESMANN REXROTH

Assembly Number  
**BH00911164**

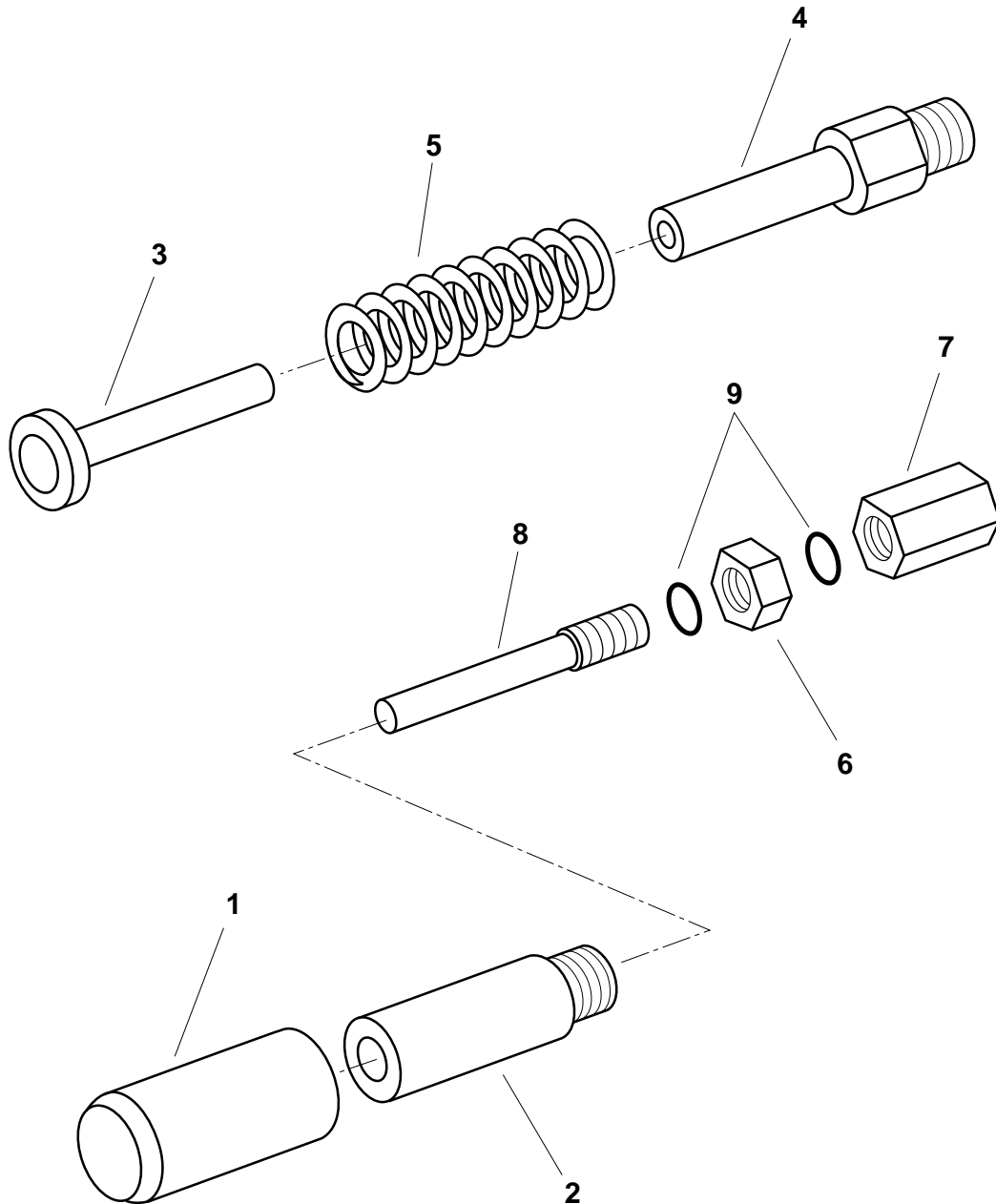
Item	Description	Qty	Part Number	Code
1	Control Piston	1	BH00910645	
2	Control Piston Guide	1	BH00911166	
3	Counter Piston	1	BH00908999	
4	Counter Piston Guide	1	BH00737283	
5	Spring	1	BH00799041	
6	Lock Nut	1	BH00904042	
7	Acorn Nut	1	BH00904041	
8	Screw, Max volume adjustment	1	BH00904676	
9	O-Ring (70 Duro Buna PRP-013)	2	68101-013	*

\* **Contained in Buna Seal Kit 5120-635-005**



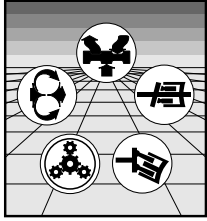
# MANNESMANN REXROTH

Assembly Number  
**BH00925158**





Variable Displacement Pump A10VO28, Series 31

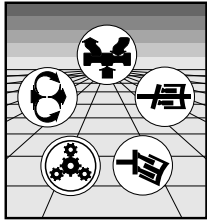


# MANNESMANN REXROTH

Assembly Number  
**BH00925158**

Item	Description	Qty	Part Number	Code
1	Control Piston	1	BH00910645	
2	Control Piston Guide	1	BH00911166	
3	Counter Piston	1	BH00908999	
4	Counter Piston Guide	1	BH00737283	
5	Spring	1	BH00799041	
6	Lock Nut	1	BH00904042	
7	Acorn Nut	1	BH00904041	
8	Screw, Max volume adjustment	1	BH00904676	
9	O-Ring (75/80 Duro FPM PRP-013)	2	68103-013	★

★ **Contained in FPM Seal Kit 5120-635-012**

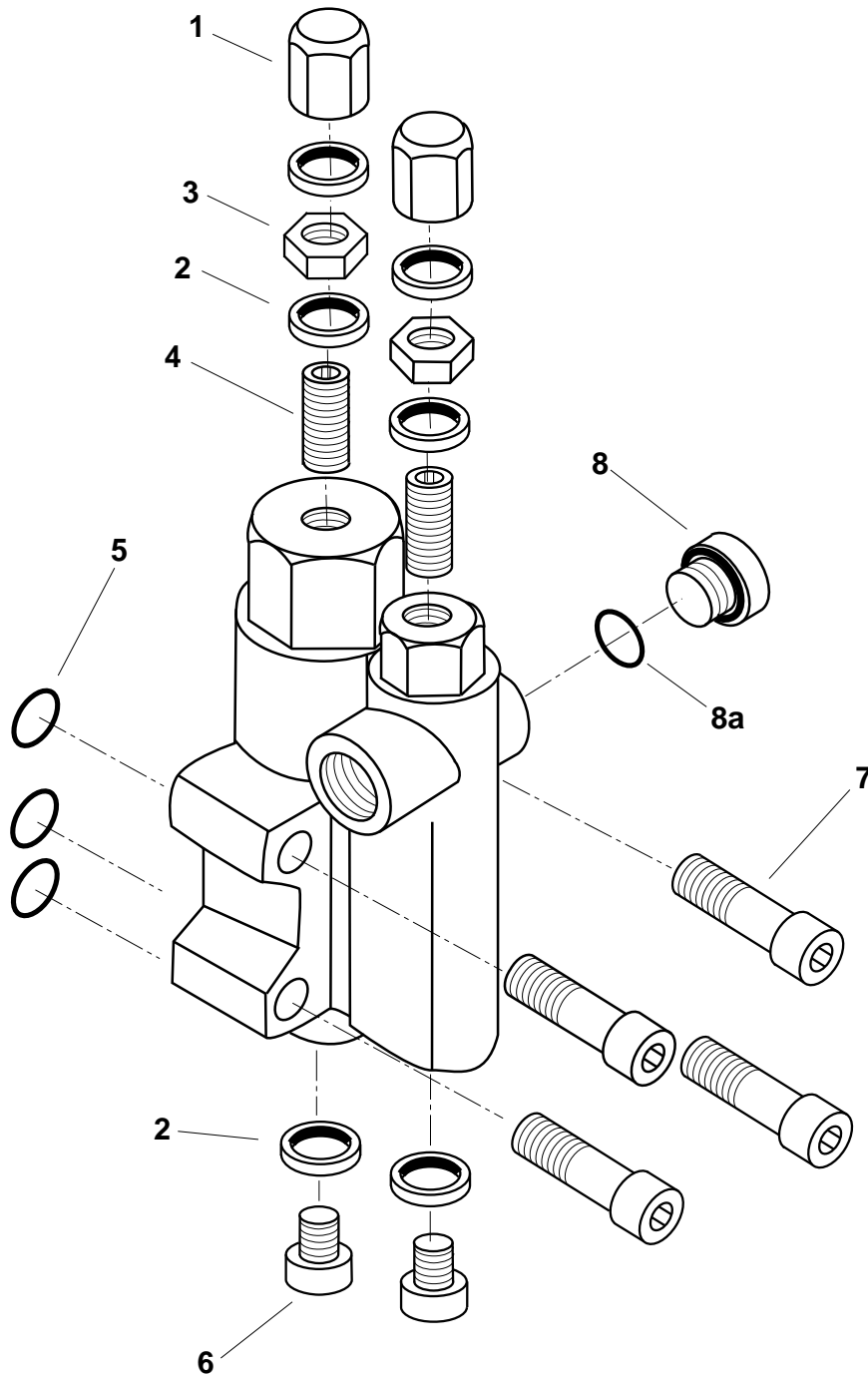


# MANNESMANN REXROTH

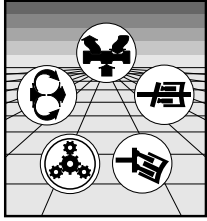
Assembly Number

Buna: **BH00907094, BH00907095, BH00907096**

FPM: **BH00907370, BH00907371, BH00908384**



Variable Displacement Pump A10VO28, Series 31



# MANNESMANN REXROTH

Assembly Number

Buna: **BH00907094, BH00907095, BH00907096**

FPM: **BH00907370, BH00907371, BH00908384**

Item	Description	Qty	Part Number	Code
1	Acorn Nut (M8 x 1)	2	BH00913805	
2	Usit Ring Buna (9.3 x 13.3 x 10)	6	BH00114774	*
2	Usit Ring FPM (9.3 x 13.3 x 10)	6	BH00642827	★
3	Jam Nut (M8 x 1)	2	BH00913806	
4	Adjusting Screw (M8 x 1)	2	BH00913807	
5	O-Ring (90 Duro Buna PRP-011)	3	68104-011	*
5	O-Ring (90 Duro FPM PRP-011)	3	68109-011	★
6	Plug (M8 x 1)	2	76118-009	
7	Cap Screw (M6 x 30 DIN 912-10.9)	4	60119-058	
8	Plug Buna (SAE 7/16 - 20)	1	76107-004	
8	Plug FPM (SAE 7/16 - 20)	1	76122-004	
8a	O-Ring (90 Duro Buna PRP-904)	1	68105-904	*
8a	O-Ring (75 Duro FPM PRP-904)	1	68106-904	★

\* **Contained in Seal Kit 5120-635-005**

★ **Contained in Seal Kit 5120-635-012**

Variable Displacement Pump A10VO28, Series 31

**Specifications, descriptions, and illustrative material shown herein were as accurate as known at the time this publication was printed. Rexroth reserves the right to discontinue models or options at any time or to change specifications, materials, or designs without notice and without incurring obligation.**

**Optional equipment and accessories may add cost to the basic unit, and some options are available only in combination with certain models or other options.**

DISTRIBUTED BY:



The Rexroth Corporation  
*Mobile Hydraulics Division, 1700 Old Mansfield Road, Wooster, OH 44691-0394 Tel. (216) 263-3400 Fax. (216) 263-3333*  
*Industrial Hydraulics Division, 2315 City Line Road, Bethlehem, PA 18017-2131 Tel. (610) 694-8300 Fax. (610) 694-8467*