

Spare parts list

Bosch Rexroth AG
Service Hydraulics
Glockeraustrasse 4
89275 Elchingen
Germany
+49 (0)7308/82-2126

Part No.: R902080886
Drawing no.: R902149057
Designation: A2FE63/61W-VZL027-S *AL*

Status of version: 10/2010

Date: 17.11.2010

Page: 1

Pos.	Part No.	Designation	Quantity	
1	R902049055	ROTARY GROUP	1 ST	L
2	R909437556	FLUSH & BOOST PRESSURE VALVE	1 ST	LD
3	R902042330	HOUSING	1 ST	
4	R909424686	PORT PLATE	1 ST	
5	R909084150	CYLINDER PIN	1 ST	
6	R909085571	O-RING	1 ST	D
7	R909083060	SOCKET-HEAD SCREW	2 ST	
10	R909083068	SOCKET-HEAD SCREW	4 ST	
31	R902149068	COVER WITH SHAFT SEAL RING	1 ST	L
98	R902002217	SEAL KIT, COMPLETE	1 ST	

L = Assembly group D = Sealing element

Security notice

All service and repair work shall be executed by Bosch Rexroth AG or specially trained personnel. Bosch Rexroth AG does not cover defects caused by incorrect installation, faulty maintenance or repair from the buyer's side or third parties.

The data specified above only serve to describe the product. No statements concerning a certain condition or suitability for a certain application can be derived from our information. The given information does not release the user from the obligation of own judgement and verification. It must be remembered that our products are subject to a natural process of wear and aging.

Firmensitz / Headquarters: Stuttgart, Registrierung / Registration: Amtsgericht Stuttgart HRB 23192

Vorstand / Executive Board: Dr. Karl Tragl (Vorsitzender / President), Dr. Georg Hanen; Reiner Leopold-Büttner; Dr. Stefan Spindler

Vorsitzender des Aufsichtsrats / Chairman of the Supervisory Board: Dr. Siegfried Dais

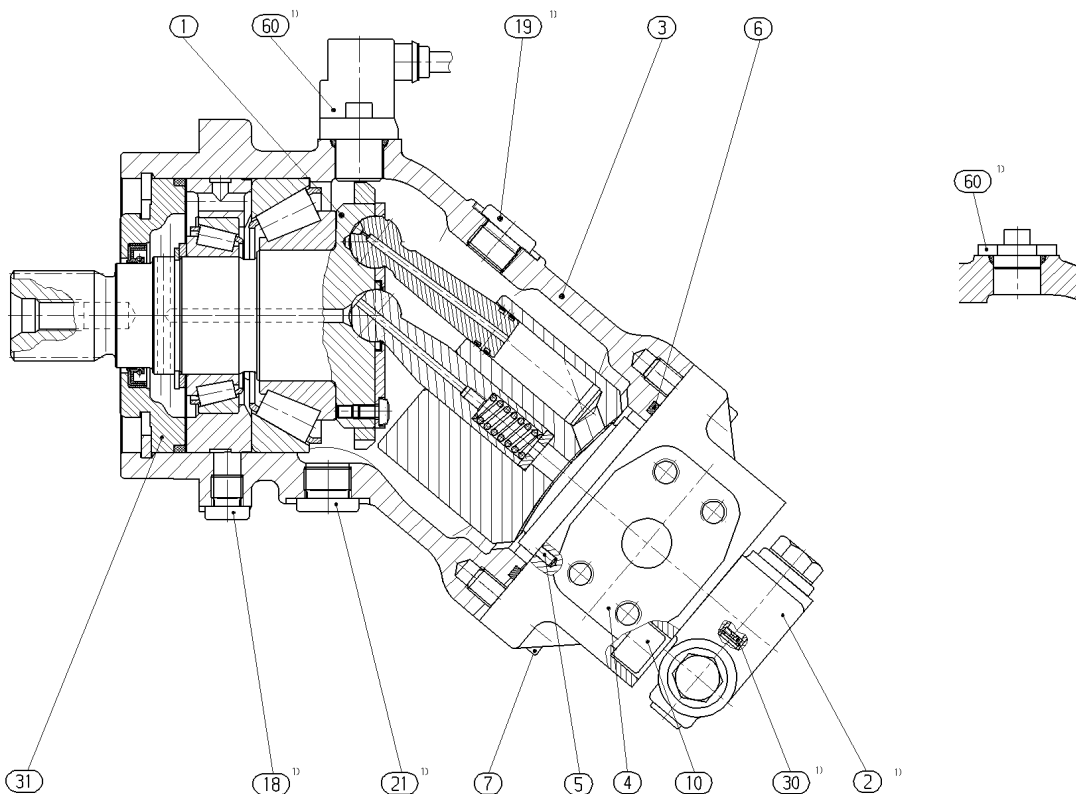
Spare parts list

Part No.: R902080886
 Drawing no.: R902149057
 Designation: A2FE63/61W-VZL027-S *AL*

Bosch Rexroth AG
 Service Hydraulics
 Glockeraustrasse 4
 89275 Elchingen
 Germany
 +49 (0)7308/82-2126

Status of version: 10/2010

Date: 17.11.2010
 Page: 2



1) wdhweise nach StGkListe montiert
 1) ALTERNATIVELY ASSEMBLING AFTER PART LIST

Montagehinweis

Bei der Montage des Verschluftringes
 (mit eingebauter Wellendichtring)
 muß eine Montagehülse verwendet werden.

ASSEMBLY INSTRUCTION

THE DISTANCE RING
 (WITH INSTALLED SHAFT SEAL)
 HAS TO BE MOUNTED WITH A MOUNTING SLEEVE

L = Assembly group D = Sealing element

Security notice

All service and repair work shall be executed by Bosch Rexroth AG or specially trained personnel. Bosch Rexroth AG does not cover defects caused by incorrect installation, faulty maintenance or repair from the buyer's side or third parties.

The data specified above only serve to describe the product. No statements concerning a certain condition or suitability for a certain application can be derived from our information. The given information does not release the user from the obligation of own judgement and verification. It must be remembered that our products are subject to a natural process of wear and aging.

Firmensitz / Headquarters: Stuttgart, Registrierung / Registration: Amtsgericht Stuttgart HRB 23192

Vorstand / Executive Board: Dr. Karl Tragl (Vorsitzender / President), Dr. Georg Hanen; Reiner Leopold-Büttner; Dr. Stefan Spindler

Vorsitzender des Aufsichtsrats / Chairman of the Supervisory Board: Dr. Siegfried Dais

Spare parts list

Bosch Rexroth AG
Service Hydraulics
Glockeraustrasse 4
89275 Elchingen
Germany
+49 (0)7308/82-2126

Part No.: R902049055
Drawing no.: R902149065
Designation: ROTARY GROUP

Status of version: 10/2010

Date: 17.11.2010

Page: 3

Pos.	Part No.	Designation	Quantity	
1	R902034143	ROTARY GROUP, HYDR. SECTION	1 ST	L
2	R902030593	DRIVE SHAFT WITH BEARING ASSY	1 ST	L

L = Assembly group D = Sealing element

Security notice

All service and repair work shall be executed by Bosch Rexroth AG or specially trained personnel. Bosch Rexroth AG does not cover defects caused by incorrect installation, faulty maintenance or repair from the buyer's side or third parties.

The data specified above only serve to describe the product. No statements concerning a certain condition or suitability for a certain application can be derived from our information. The given information does not release the user from the obligation of own judgement and verification. It must be remembered that our products are subject to a natural process of wear and aging.

Firmensitz / Headquarters: Stuttgart, Registrierung / Registration: Amtsgericht Stuttgart HRB 23192

Vorstand / Executive Board: Dr. Karl Tragl (Vorsitzender / President), Dr. Georg Hanen; Reiner Leopold-Büttner; Dr. Stefan Spindler

Vorsitzender des Aufsichtsrats / Chairman of the Supervisory Board: Dr. Siegfried Dais

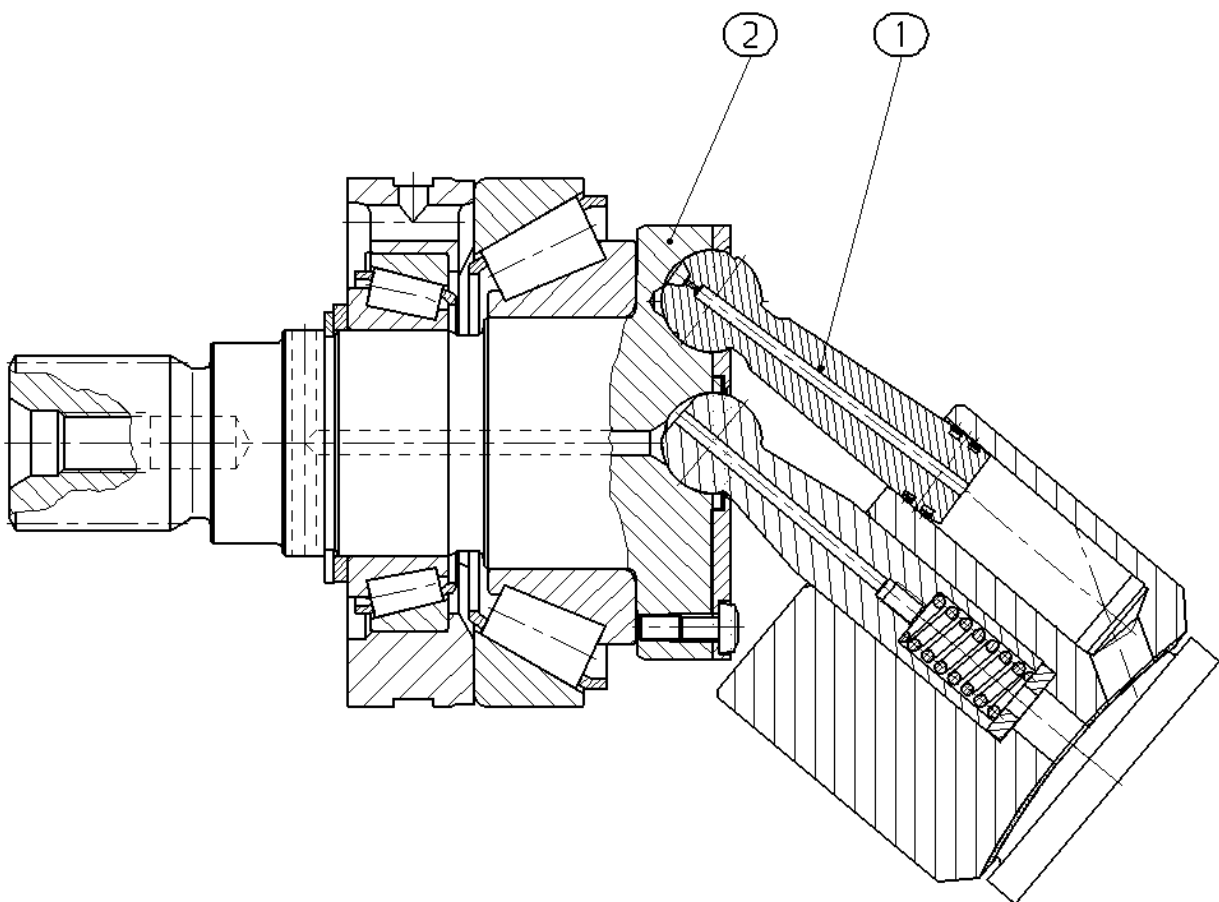
Spare parts list

Part No.: R902049055
Drawing no.: R902149065
Designation: ROTARY GROUP

Bosch Rexroth AG
Service Hydraulics
Glockeraustrasse 4
89275 Elchingen
Germany
+49 (0)7308/82-2126

Status of version: 10/2010

Date: 17.11.2010
Page: 4



L = Assembly group D = Sealing element

Security notice

All service and repair work shall be executed by Bosch Rexroth AG or specially trained personnel. Bosch Rexroth AG does not cover defects caused by incorrect installation, faulty maintenance or repair from the buyer's side or third parties.

The data specified above only serve to describe the product. No statements concerning a certain condition or suitability for a certain application can be derived from our information. The given information does not release the user from the obligation of own judgement and verification. It must be remembered that our products are subject to a natural process of wear and aging.

Firmensitz / Headquarters: Stuttgart, Registrierung / Registration: Amtsgericht Stuttgart HRB 23192

Vorstand / Executive Board: Dr. Karl Tragl (Vorsitzender / President), Dr. Georg Hanen; Reiner Leopold-Büttner; Dr. Stefan Spindler

Vorsitzender des Aufsichtsrats / Chairman of the Supervisory Board: Dr. Siegfried Dais

Spare parts listBosch Rexroth AG
Service Hydraulics
Glockeraustrasse 4
89275 Elchingen
Germany
+49 (0)7308/82-2126Part No.: R902034143
Drawing no.: R902034120
Designation: ROTARY GROUP, HYDR. SECTION

Status of version: 10/2010

Date: 17.11.2010**Page: 5**

Pos.	Part No.	Designation	Quantity	
1	R902033093	CYLINDER	1 ST	
2	R902033094	CONTROL PLATE	1 ST	
3	R902028565	CENTER PIN	1 ST	
4	R902031675	PISTON WITH PISTON RINGS	7 ST	
5	R909409994	WASHER	1 ST	
6	R902130610	ADJUSTMENT SHIM	1 ST	L
7	R902028810	PRESSURE SPRING	1 ST	
8	R902000017	LOCKING PIN	1 ST	
11	R909444063	RETAINING PLATE	1 ST	
12	R902602493	SCREW (COUNTERSUNK)	7 ST	

L = Assembly group D = Sealing element

Security notice

All service and repair work shall be executed by Bosch Rexroth AG or specially trained personnel. Bosch Rexroth AG does not cover defects caused by incorrect installation, faulty maintenance or repair from the buyer's side or third parties.

The data specified above only serve to describe the product. No statements concerning a certain condition or suitability for a certain application can be derived from our information. The given information does not release the user from the obligation of own judgement and verification. It must be remembered that our products are subject to a natural process of wear and aging.

Firmensitz / Headquarters: Stuttgart, Registrierung / Registration: Amtsgericht Stuttgart HRB 23192

Vorstand / Executive Board: Dr. Karl Tragl (Vorsitzender / President), Dr. Georg Hanen; Reiner Leopold-Büttner; Dr. Stefan Spindler

Vorsitzender des Aufsichtsrats / Chairman of the Supervisory Board: Dr. Siegfried Dais

Spare parts list

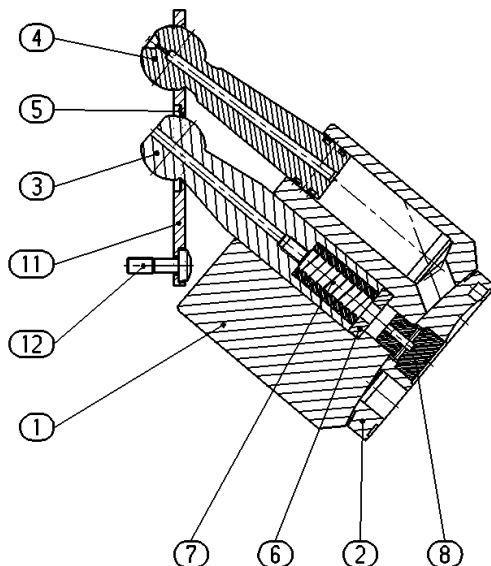
Part No.: R902034143
Drawing no.: R902034120
Designation: ROTARY GROUP, HYDR. SECTION

Bosch Rexroth AG
Service Hydraulics
Glockeraustrasse 4
89275 Elchingen
Germany
+49 (0)7308/82-2126

Status of version: 10/2010

Date: 17.11.2010

Page: 6



L = Assembly group D = Sealing element

Security notice

All service and repair work shall be executed by Bosch Rexroth AG or specially trained personnel. Bosch Rexroth AG does not cover defects caused by incorrect installation, faulty maintenance or repair from the buyer's side or third parties.

The data specified above only serve to describe the product. No statements concerning a certain condition or suitability for a certain application can be derived from our information. The given information does not release the user from the obligation of own judgement and verification. It must be remembered that our products are subject to a natural process of wear and aging.

Firmensitz / Headquarters: Stuttgart, Registrierung / Registration: Amtsgericht Stuttgart HRB 23192

Vorstand / Executive Board: Dr. Karl Tragl (Vorsitzender / President), Dr. Georg Hanen; Reiner Leopold-Büttner; Dr. Stefan Spindler

Vorsitzender des Aufsichtsrats / Chairman of the Supervisory Board: Dr. Siegfried Dais

Spare parts list

Part No.: R902130610
Designation: ADJUSTMENT SHIM

Bosch Rexroth AG
Service Hydraulics
Glockeraustrasse 4
89275 Elchingen
Germany
+49 (0)7308/82-2126

Status of version: 10/2010

Date: 17.11.2010

Page: 7

Pos.	Part No.	Designation	Quantity
1	R902028559	ADJUSTMENT SHIM	1 ST
2	R902028560	ADJUSTMENT SHIM	1 ST
3	R902130575	ADJUSTMENT SHIM	1 ST
4	R902028561	ADJUSTMENT SHIM	1 ST
5	R902130576	ADJUSTMENT SHIM	1 ST
6	R902028562	ADJUSTMENT SHIM	1 ST
7	R902028563	ADJUSTMENT SHIM	1 ST

L = Assembly group D = Sealing element

Security notice

All service and repair work shall be executed by Bosch Rexroth AG or specially trained personnel. Bosch Rexroth AG does not cover defects caused by incorrect installation, faulty maintenance or repair from the buyer's side or third parties.

The data specified above only serve to describe the product. No statements concerning a certain condition or suitability for a certain application can be derived from our information. The given information does not release the user from the obligation of own judgement and verification. It must be remembered that our products are subject to a natural process of wear and aging.

Firmensitz / Headquarters: Stuttgart, Registrierung / Registration: Amtsgericht Stuttgart HRB 23192

Vorstand / Executive Board: Dr. Karl Tragl (Vorsitzender / President), Dr. Georg Hanen; Reiner Leopold-Büttner; Dr. Stefan Spindler

Vorsitzender des Aufsichtsrats / Chairman of the Supervisory Board: Dr. Siegfried Dais

Spare parts list

Bosch Rexroth AG
Service Hydraulics
Glockeraustrasse 4
89275 Elchingen
Germany
+49 (0)7308/82-2126

Part No.: R902030593
Drawing no.: R902030520
Designation: DRIVE SHAFT WITH BEARING ASSY

Status of version: 10/2010

Date: 17.11.2010

Page: 8

Pos.	Part No.	Designation	Quantity	
2	R902028921	DRIVE SHAFT	1 ST	
3	R909430338	BEARING RING	1 ST	
6	R902030518	BACK-UP PLATE	1 ST	L
7	R909083363	RETAINING RING	1 ST	
10	R909156194	TAPERED-ROLLER BEARING	1 ST	
11	R909154608	TAPERED-ROLLER BEARING	1 ST	

L = Assembly group D = Sealing element

Security notice

All service and repair work shall be executed by Bosch Rexroth AG or specially trained personnel. Bosch Rexroth AG does not cover defects caused by incorrect installation, faulty maintenance or repair from the buyer's side or third parties.

The data specified above only serve to describe the product. No statements concerning a certain condition or suitability for a certain application can be derived from our information. The given information does not release the user from the obligation of own judgement and verification. It must be remembered that our products are subject to a natural process of wear and aging.

Firmensitz / Headquarters: Stuttgart, Registrierung / Registration: Amtsgericht Stuttgart HRB 23192

Vorstand / Executive Board: Dr. Karl Tragl (Vorsitzender / President), Dr. Georg Hanen; Reiner Leopold-Büttner; Dr. Stefan Spindler

Vorsitzender des Aufsichtsrats / Chairman of the Supervisory Board: Dr. Siegfried Dais

Spare parts list

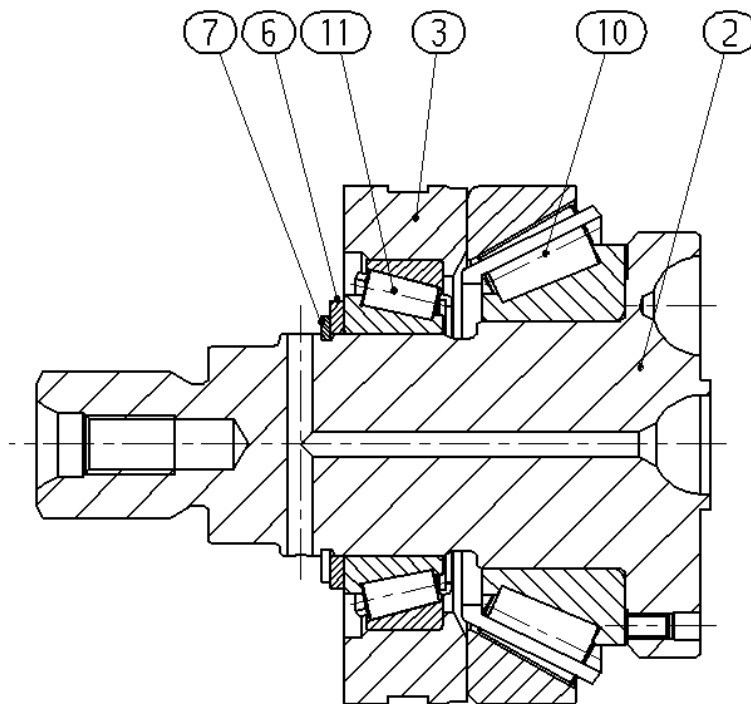
Part No.: R902030593
Drawing no.: R902030520
Designation: DRIVE SHAFT WITH BEARING ASSY

Bosch Rexroth AG
Service Hydraulics
Glockeraustrasse 4
89275 Elchingen
Germany
+49 (0)7308/82-2126

Status of version: 10/2010

Date: 17.11.2010

Page: 9



L = Assembly group D = Sealing element

Security notice

All service and repair work shall be executed by Bosch Rexroth AG or specially trained personnel. Bosch Rexroth AG does not cover defects caused by incorrect installation, faulty maintenance or repair from the buyer's side or third parties.

The data specified above only serve to describe the product. No statements concerning a certain condition or suitability for a certain application can be derived from our information. The given information does not release the user from the obligation of own judgement and verification. It must be remembered that our products are subject to a natural process of wear and aging.

Firmensitz / Headquarters: Stuttgart, Registrierung / Registration: Amtsgericht Stuttgart HRB 23192

Vorstand / Executive Board: Dr. Karl Tragl (Vorsitzender / President), Dr. Georg Hanen; Reiner Leopold-Büttner; Dr. Stefan Spindler

Vorsitzender des Aufsichtsrats / Chairman of the Supervisory Board: Dr. Siegfried Dais

Spare parts list

Bosch Rexroth AG
Service Hydraulics
Glockeraustrasse 4
89275 Elchingen
Germany
+49 (0)7308/82-2126

Part No.: R902030518
Designation: BACK-UP PLATE

Status of version: 10/2010

Date: 17.11.2010

Page: 10

Pos.	Part No.	Designation	Quantity	
1	R902028800	BACK-UP PLATE	1 ST	
2	R902028801	BACK-UP PLATE	1 ST	
3	R902028802	BACK-UP PLATE	1 ST	
4	R902028803	BACK-UP PLATE	1 ST	
5	R902028804	BACK-UP PLATE	1 ST	
6	R902028805	BACK-UP PLATE	1 ST	
7	R902028806	BACK-UP PLATE	1 ST	
8	R902028807	BACK-UP PLATE	1 ST	
9	R902028808	BACK-UP PLATE	1 ST	
10	R902028809	BACK-UP PLATE	1 ST	
12	R909084737	BACK-UP PLATE	1 ST	D

L = Assembly group D = Sealing element

Security notice

All service and repair work shall be executed by Bosch Rexroth AG or specially trained personnel. Bosch Rexroth AG does not cover defects caused by incorrect installation, faulty maintenance or repair from the buyer's side or third parties.

The data specified above only serve to describe the product. No statements concerning a certain condition or suitability for a certain application can be derived from our information. The given information does not release the user from the obligation of own judgement and verification. It must be remembered that our products are subject to a natural process of wear and aging.

Firmensitz / Headquarters: Stuttgart, Registrierung / Registration: Amtsgericht Stuttgart HRB 23192

Vorstand / Executive Board: Dr. Karl Tragl (Vorsitzender / President), Dr. Georg Hanen; Reiner Leopold-Büttner; Dr. Stefan Spindler

Vorsitzender des Aufsichtsrats / Chairman of the Supervisory Board: Dr. Siegfried Dais

Spare parts list

Bosch Rexroth AG
Service Hydraulics
Glockeraustrasse 4
89275 Elchingen
Germany
+49 (0)7308/82-2126

Part No.: R909437556
Designation: FLUSH & BOOST PRESSURE VALVE

Status of version: 10/2010

Date: 17.11.2010

Page: 11

Pos.	Part No.	Designation	Quantity	
1	R902002876	FLUSH & BOOST PRESSURE VALVE W/O ORIF.	1 ST	L
30	R909447591	ORIFICE	1 ST	L

L = Assembly group D = Sealing element

Security notice

All service and repair work shall be executed by Bosch Rexroth AG or specially trained personnel. Bosch Rexroth AG does not cover defects caused by incorrect installation, faulty maintenance or repair from the buyer's side or third parties.

The data specified above only serve to describe the product. No statements concerning a certain condition or suitability for a certain application can be derived from our information. The given information does not release the user from the obligation of own judgement and verification. It must be remembered that our products are subject to a natural process of wear and aging.

Firmensitz / Headquarters: Stuttgart, Registrierung / Registration: Amtsgericht Stuttgart HRB 23192

Vorstand / Executive Board: Dr. Karl Tragl (Vorsitzender / President), Dr. Georg Hanen; Reiner Leopold-Büttner; Dr. Stefan Spindler

Vorsitzender des Aufsichtsrats / Chairman of the Supervisory Board: Dr. Siegfried Dais

Spare parts list

Bosch Rexroth AG
Service Hydraulics
Glockeraustrasse 4
89275 Elchingen
Germany
+49 (0)7308/82-2126

Part No.: R902002876
Drawing no.: R909730525
Designation: FLUSH & BOOST PRESSURE VALVE W/O ORIF.

Status of version: 10/2010

Date: 17.11.2010

Page: 12

Pos.	Part No.	Designation	Quantity	
1	R909419423	HOUSING	1 ST	
2	R909432410	FLUSHING PISTON	1 ST	
3	R909430234	VALVE PISTON	1 ST	
4	R909417111	LOCKING SCREW	2 ST	
5	R909417846	LOCKING SCREW	1 ST	
6	R909417112	WASHER	2 ST	
8	R902011921	PRESSURE SPRING	2 ST	
9	R909417848	PRESSURE SPRING	1 ST	
15	R909083024	SOCKET-HEAD SCREW	4 ST	
16	R909156649	LOCKING SCREW	2 ST	D
18	R909087938	O-RING	1 ST	D
19	R909087891	O-RING	2 ST	D
20	R909086765	O-RING	1 ST	D
21	R909152688	O-RING	2 ST	D
22	R909153012	RETAINING RING	1 ST	
24	R909157965	SHIM	1 ST	
24	R909157966	SHIM	1 ST	D

L = Assembly group D = Sealing element

Security notice

All service and repair work shall be executed by Bosch Rexroth AG or specially trained personnel. Bosch Rexroth AG does not cover defects caused by incorrect installation, faulty maintenance or repair from the buyer's side or third parties.

The data specified above only serve to describe the product. No statements concerning a certain condition or suitability for a certain application can be derived from our information. The given information does not release the user from the obligation of own judgement and verification. It must be remembered that our products are subject to a natural process of wear and aging.

Firmensitz / Headquarters: Stuttgart, Registrierung / Registration: Amtsgericht Stuttgart HRB 23192

Vorstand / Executive Board: Dr. Karl Tragl (Vorsitzender / President), Dr. Georg Hanen; Reiner Leopold-Büttner; Dr. Stefan Spindler

Vorsitzender des Aufsichtsrats / Chairman of the Supervisory Board: Dr. Siegfried Dais

Spare parts list

Bosch Rexroth AG
Service Hydraulics
Glockeraustrasse 4
89275 Elchingen
Germany
+49 (0)7308/82-2126

Part No.: R902002876
Drawing no.: R909730525
Designation: FLUSH & BOOST PRESSURE VALVE W/O ORIF.

Status of version: 10/2010

Date: 17.11.2010
Page: 13

24 R909157079 SHIM

1 ST

L = Assembly group D = Sealing element

Security notice

All service and repair work shall be executed by Bosch Rexroth AG or specially trained personnel. Bosch Rexroth AG does not cover defects caused by incorrect installation, faulty maintenance or repair from the buyer's side or third parties.

The data specified above only serve to describe the product. No statements concerning a certain condition or suitability for a certain application can be derived from our information. The given information does not release the user from the obligation of own judgement and verification. It must be remembered that our products are subject to a natural process of wear and aging.

Firmensitz / Headquarters: Stuttgart, Registrierung / Registration: Amtsgericht Stuttgart HRB 23192

Vorstand / Executive Board: Dr. Karl Tragl (Vorsitzender / President), Dr. Georg Hanen; Reiner Leopold-Büttner; Dr. Stefan Spindler

Vorsitzender des Aufsichtsrats / Chairman of the Supervisory Board: Dr. Siegfried Dais

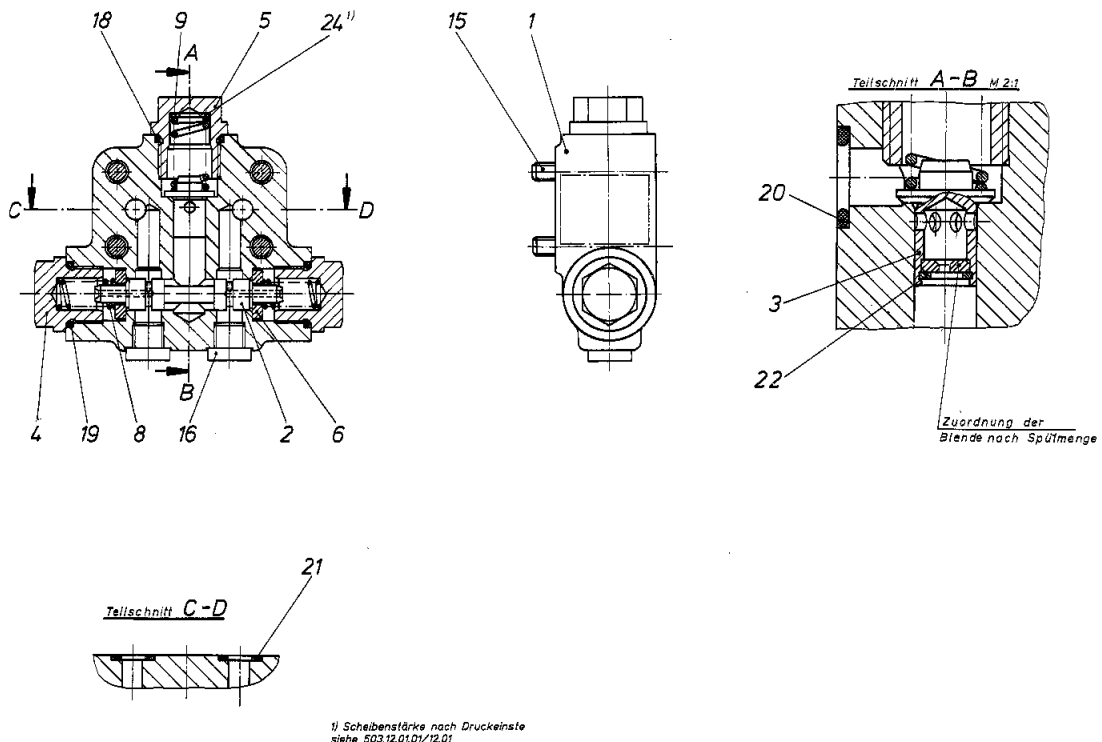
Spare parts list

Part No.: R902002876
 Drawing no.: R909730525
 Designation: FLUSH & BOOST PRESSURE VALVE W/O ORIF.

Bosch Rexroth AG
 Service Hydraulics
 Glockeraustrasse 4
 89275 Elchingen
 Germany
 +49 (0)7308/82-2126

Status of version: 10/2010

Date: 17.11.2010
 Page: 14



1) Scheibensstärke nach Druckeinste
 siehe 503.12.01.01/12.01

L = Assembly group D = Sealing element

Security notice

All service and repair work shall be executed by Bosch Rexroth AG or specially trained personnel. Bosch Rexroth AG does not cover defects caused by incorrect installation, faulty maintenance or repair from the buyer's side or third parties.

The data specified above only serve to describe the product. No statements concerning a certain condition or suitability for a certain application can be derived from our information. The given information does not release the user from the obligation of own judgement and verification. It must be remembered that our products are subject to a natural process of wear and aging.

Firmensitz / Headquarters: Stuttgart, Registrierung / Registration: Amtsgericht Stuttgart HRB 23192

Vorstand / Executive Board: Dr. Karl Tragl (Vorsitzender / President), Dr. Georg Hanen; Reiner Leopold-Büttner; Dr. Stefan Spindler

Vorsitzender des Aufsichtsrats / Chairman of the Supervisory Board: Dr. Siegfried Dais

Spare parts listBosch Rexroth AG
Service Hydraulics
Glockeraustrasse 4
89275 Elchingen
Germany
+49 (0)7308/82-2126

Part No.: R909447591

Designation: ORIFICE

Status of version: 10/2010

Date: 17.11.2010**Page: 15**

Pos.	Part No.	Designation	Quantity
1	R909651766	ORIFICE	1 ST
2	R902030345	ORIFICE	1 ST
2	R909419695	ORIFICE	1 ST
3	R909419696	ORIFICE	1 ST
4	R909419697	ORIFICE	1 ST
5	R909444361	ORIFICE	1 ST
6	R902004465	ORIFICE	1 ST
7	R902107424	ORIFICE	1 ST
9	R902065693	ORIFICE	1 ST

L = Assembly group D = Sealing element

Security notice

All service and repair work shall be executed by Bosch Rexroth AG or specially trained personnel. Bosch Rexroth AG does not cover defects caused by incorrect installation, faulty maintenance or repair from the buyer's side or third parties.

The data specified above only serve to describe the product. No statements concerning a certain condition or suitability for a certain application can be derived from our information. The given information does not release the user from the obligation of own judgement and verification. It must be remembered that our products are subject to a natural process of wear and aging.

Firmensitz / Headquarters: Stuttgart, Registrierung / Registration: Amtsgericht Stuttgart HRB 23192

Vorstand / Executive Board: Dr. Karl Tragl (Vorsitzender / President), Dr. Georg Hanen; Reiner Leipold-Büttner; Dr. Stefan Spindler

Vorsitzender des Aufsichtsrats / Chairman of the Supervisory Board: Dr. Siegfried Dais

Spare parts list

Part No.: R902149068
Designation: COVER WITH SHAFT SEAL RING

Bosch Rexroth AG
Service Hydraulics
Glockeraustrasse 4
89275 Elchingen
Germany
+49 (0)7308/82-2126

Status of version: 10/2010

Date: 17.11.2010

Page: 16

Pos.	Part No.	Designation	Quantity	
1	R902119566	COVER WITH SHAFT SEAL RING	1 ST	L
2	R909154528	RETAINING RING	1 ST	
3	R909154986	O-RING	1 ST	D
4	R913001225	SHIM	1 ST	

L = Assembly group D = Sealing element

Security notice

All service and repair work shall be executed by Bosch Rexroth AG or specially trained personnel. Bosch Rexroth AG does not cover defects caused by incorrect installation, faulty maintenance or repair from the buyer's side or third parties.

The data specified above only serve to describe the product. No statements concerning a certain condition or suitability for a certain application can be derived from our information. The given information does not release the user from the obligation of own judgement and verification. It must be remembered that our products are subject to a natural process of wear and aging.

Firmensitz / Headquarters: Stuttgart, Registrierung / Registration: Amtsgericht Stuttgart HRB 23192

Vorstand / Executive Board: Dr. Karl Tragl (Vorsitzender / President), Dr. Georg Hanen; Reiner Leopold-Büttner; Dr. Stefan Spindler

Vorsitzender des Aufsichtsrats / Chairman of the Supervisory Board: Dr. Siegfried Dais

Spare parts list

Bosch Rexroth AG
Service Hydraulics
Glockeraustrasse 4
89275 Elchingen
Germany
+49 (0)7308/82-2126

Part No.: R902119566
Drawing no.: R902119274
Designation: COVER WITH SHAFT SEAL RING

Status of version: 10/2010

Date: 17.11.2010

Page: 17

Pos.	Part No.	Designation	Quantity	
1	R909408442	COVER	1 ST	D
2	R909830383	SHAFT SEAL RING	1 ST	D

L = Assembly group D = Sealing element

Security notice

All service and repair work shall be executed by Bosch Rexroth AG or specially trained personnel. Bosch Rexroth AG does not cover defects caused by incorrect installation, faulty maintenance or repair from the buyer's side or third parties.

The data specified above only serve to describe the product. No statements concerning a certain condition or suitability for a certain application can be derived from our information. The given information does not release the user from the obligation of own judgement and verification. It must be remembered that our products are subject to a natural process of wear and aging.

Firmensitz / Headquarters: Stuttgart, Registrierung / Registration: Amtsgericht Stuttgart HRB 23192

Vorstand / Executive Board: Dr. Karl Tragl (Vorsitzender / President), Dr. Georg Hanen; Reiner Leopold-Büttner; Dr. Stefan Spindler

Vorsitzender des Aufsichtsrats / Chairman of the Supervisory Board: Dr. Siegfried Dais

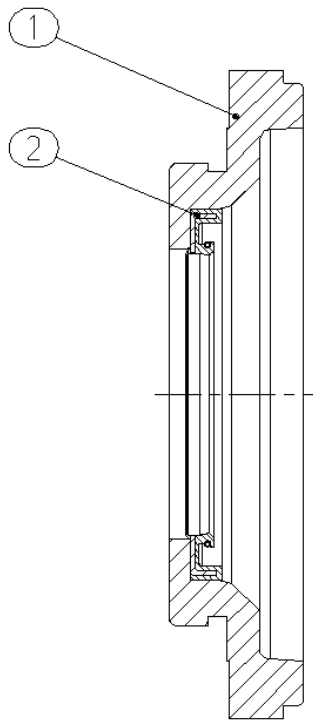
Spare parts list

Part No.: R902119566
Drawing no.: R902119274
Designation: COVER WITH SHAFT SEAL RING

Bosch Rexroth AG
Service Hydraulics
Glockeraustrasse 4
89275 Elchingen
Germany
+49 (0)7308/82-2126

Status of version: 10/2010

Date: 17.11.2010
Page: 18



L = Assembly group D = Sealing element

Security notice

All service and repair work shall be executed by Bosch Rexroth AG or specially trained personnel. Bosch Rexroth AG does not cover defects caused by incorrect installation, faulty maintenance or repair from the buyer's side or third parties.

The data specified above only serve to describe the product. No statements concerning a certain condition or suitability for a certain application can be derived from our information. The given information does not release the user from the obligation of own judgement and verification. It must be remembered that our products are subject to a natural process of wear and aging.

Firmensitz / Headquarters: Stuttgart, Registrierung / Registration: Amtsgericht Stuttgart HRB 23192

Vorstand / Executive Board: Dr. Karl Tragl (Vorsitzender / President), Dr. Georg Hanen; Reiner Leopold-Büttner; Dr. Stefan Spindler

Vorsitzender des Aufsichtsrats / Chairman of the Supervisory Board: Dr. Siegfried Dais