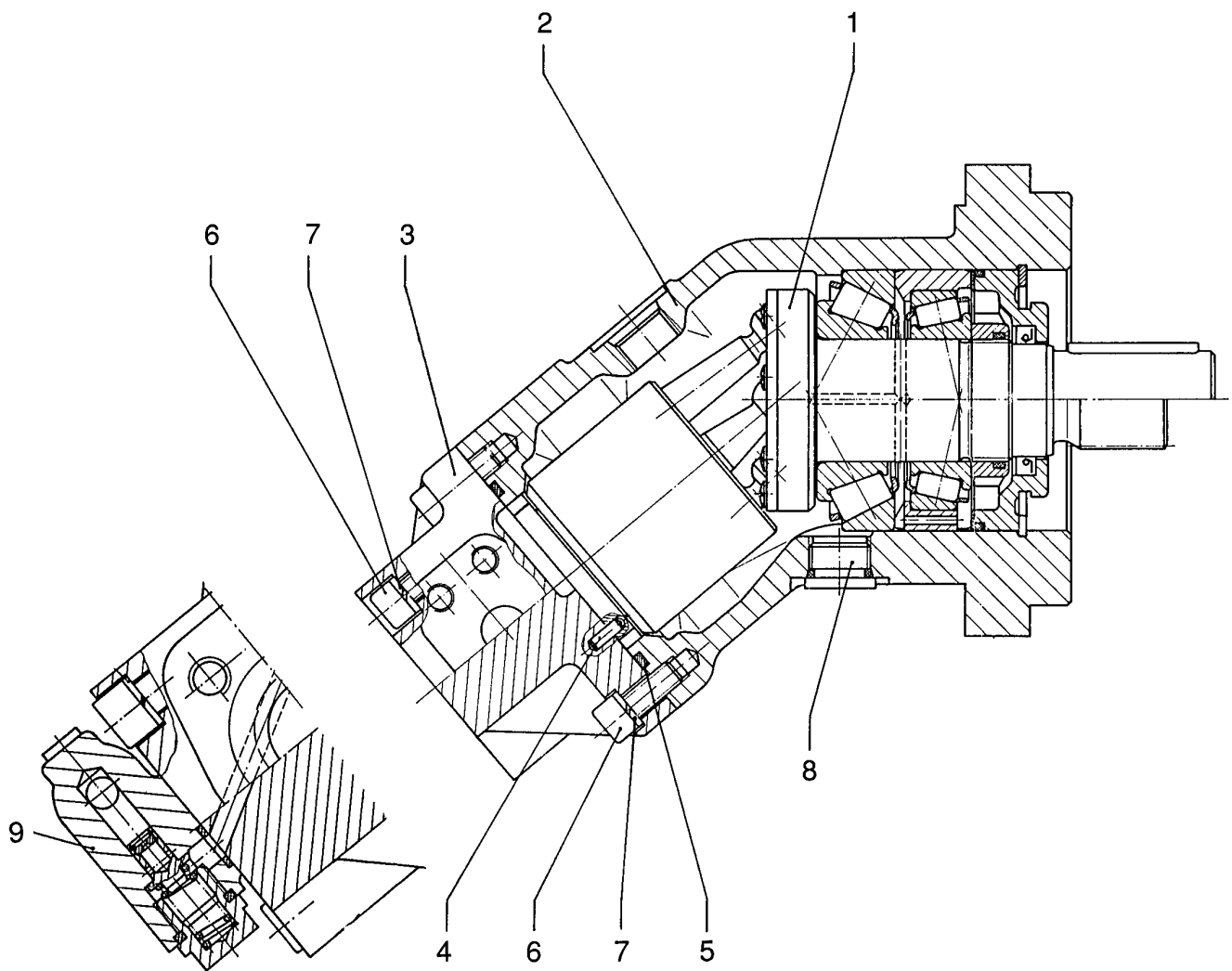


**Fixed Displacement  
Motor  
Series 61**

I.D. #	Type Code	AA2FM. 10/61W - PPC53	AA2FM. 12/61W - PPC53	AA2FM. 16/61W - VSC53	AA2FM. 16/61W - PSC53	AA2FM. 16/61W - PBC53	AA2FM. 23/61W - PSCX	AA2FM. 32/61W - PSDX	AA2FM. 32/61W - VSD52	AA2FM. 32/61W - PSD51	AA2FM. 32/61W - PSD52	AA2FM. 32/61W - PSD53	AA2FM. 32/61W - PSD54	AA2FM. 32/61W - PBD52	AA2FM. 32/61W - PBD53	AA2FM. 45/61W - PXD52	AA2FM. 45/61W - XSD51	AA2FM. 45/61W - PSD51	AA2FM. 45/61W - PSD52	AA2FM. 45/61W - PBD52	AA2FM. 45/61W - PSD52	AA2FM. 56/61W - PSD52	AA2FM. 56/61W - PSDX	AA2FM. 56/61W - PSD51	AA2FM. 56/61W - PSD52	AA2FM. 56/61W - PBD52	AA2FM. 63/61W - PXDX	AA2FM. 63/61W - PSDX	AA2FM. 63/61W - PSD51	AA2FM. 63/61W - PSD52	AA2FM. 63/61W - PBD51	AA2FM. 63/61W - PBD52				
423834	- 211.09.26.54	X																																		
423211	- 211.10.26.54		X																																	
423510	- 211.11.05.44			X																																
421614	- 211.11.26.44				X																															
421613	- 211.11.26.54					X																														
422041	- 211.12.01.05						X																													
424857	- 211.14.01.12							X																												
421508	- 211.14.01.15								X																											
408997	- 211.14.26.41									X																										
408999	- 211.14.26.42										X																									
412677	- 211.14.26.44											X																								
412840	- 211.14.26.45												X																							
418834	- 211.14.26.52													X																						
419652	- 211.14.26.54														X																					
418289	- 211.16.01.04															X																				
416690	- 211.16.02.00																X																			
417125	- 211.16.26.41																	X																		
417126	- 211.16.26.42																		X																	
418837	- 211.16.26.52																			X																
416862	- 211.17.01.01																				X															
419947	- 211.17.01.04																					X														
426182	- 211.17.26.41																						X													
434271	- 211.17.26.42																							X												
429602	- 211.17.26.52																								X											
419856	- 211.18.01.24																									X										
422024	- 211.18.01.25																										X									
409746	- 211.18.26.41																																			
408971	- 211.18.26.42																																	X		
428729	- 211.18.26.51																																		X	
417127	- 211.18.26.52																																			X

I.D. #	Type Code	AA2FM. 80/61W - XXD51	AA2FM. 80/61W - XXD52	AA2FM. 80/61W - XSD51	AA2FM. 80/61W - PSD51	AA2FM. 80/61W - PSD52	AA2FM. 80/61W - PBD52	AA2FM. 90/61W - XXD51	AA2FM. 90/61W - XSD51	AA2FM. 90/61W - PSD51	AA2FM. 90/61W - PSD52	AA2FM. 90/61W - PBD51	AA2FM. 90/61W - PBD52	AA2FM. 107/61W - PSD51	AA2FM. 107/61W - PSD52	AA2FM. 107/61W - PSD527	AA2FM. 107/61W - PBD52	AA2FM. 125/61W - PSD51	AA2FM. 125/61W - PSD52	AA2FM. 125/61W - VSD52	AA2FM. 125/61W - PBD51	AA2FM. 125/61W - PBD52	AA2FM. 160/61W - PSD51	AA2FM. 160/61W - PSD52	AA2FM. 160/61W - PBD51	AA2FM. 160/61W - PBD52	AA2FM. 180/61W - PSD52	AA2FM. 180/61W - PSD51	AA2FM. 180/61W - PSD52	AA2FM. 180/61W - PBD52	
416365	- 211.19.02.00	X																													
415237	- 211.19.02.01		X																												
416704	- 211.19.02.02			X																											
416864	- 211.19.26.41				X																										
420708	- 211.19.26.42					X																									
423205	- 211.19.26.52						X																								
421630	- 211.20.02.02							X																							
417098	- 211.20.02.21								X																						
409703	- 211.20.26.41									X																					
409708	- 211.20.26.42										X																				
418342	- 211.20.26.51											X																			
418840	- 211.20.26.52												X																		
416550	- 211.21.26.41													X																	
428767	- 211.21.26.42														X																
415814	- 211.21.26.47															X															
429878	- 211.21.26.52																X														
409680	- 211.22.26.41																	X													
409681	- 211.22.26.42																		X												
415808	- 211.22.01.08																			X											
433246	- 211.22.26.51																				X										
420709	- 211.22.26.52																					X									
427831	- 211.24.26.41																						X								
417850	- 211.24.26.42																							X							
429038	- 211.24.26.51																								X						
429551	- 211.24.26.52																									X					
420423	- 211.25.02.01																										X				
409203	- 211.25.26.41																											X			
409205	- 211.25.26.42																												X		
418843	- 211.25.26.52																													X	

**Notes:**







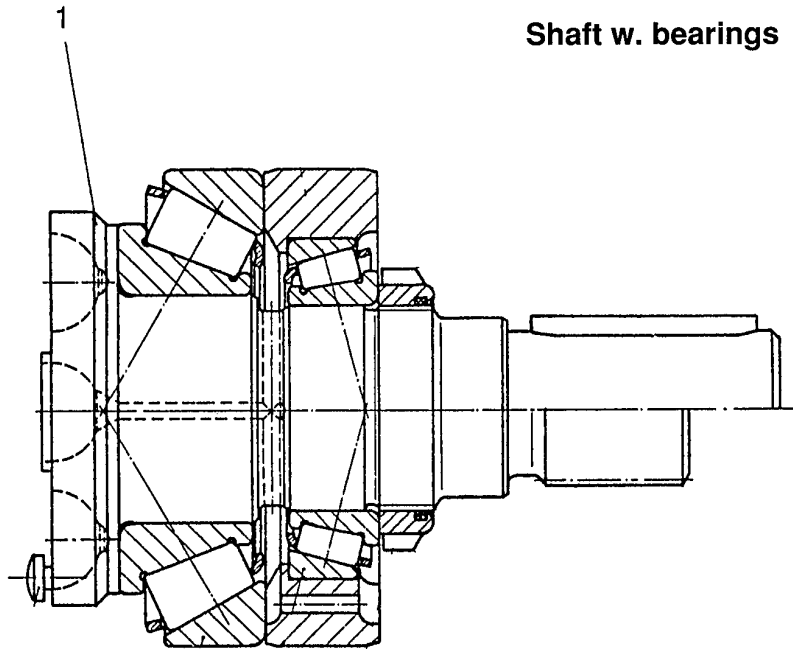












keyed  
or  
splined

**Fixed Displacement Motor  
Series 61  
Rotary Group  
Parts Breakdown**

Pos.	Description	Qty.	Hydromatik Part No.	AA2FM. 10/61W - PPC53	AA2FM. 12/61W - PPC53	AA2FM. 16/61W - VSC53	AA2FM. 16/61W - PSC53	AA2FM. 16/61W - PBC53	AA2FM. 23/61W - PSCX	AA2FM. 32/61W - PSDX	AA2FM. 32/61W - VSD52	AA2FM. 32/61W - PSD51	AA2FM. 32/61W - PSD52	AA2FM. 32/61W - PSD53	AA2FM. 32/61W - PSD54	AA2FM. 32/61W - PBD52	AA2FM. 32/61W - PBD53	AA2FM. 45/61W - PDX52	AA2FM. 45/61W - XSD51	AA2FM. 45/61W - PSD51	AA2FM. 45/61W - PSD52	AA2FM. 45/61W - PBD52	AA2FM. 56/61W - PSD52	AA2FM. 56/61W - PSDX	AA2FM. 56/61W - PSD51	AA2FM. 56/61W - PSD52	AA2FM. 56/61W - PBD52	AA2FM. 63/61W - PDX	AA2FM. 63/61W - PSDX	AA2FM. 63/61W - PSD51	AA2FM. 63/61W - PSD52	AA2FM. 63/61W - PBD51	AA2FM. 63/61W - PBD52					
(1)	Drive Shaft w. 1		270806	X	X																																	
	Bearings		270892			X	X																															
			270810					X																														
			270893						X	X	X	X	X	X	X																							
			270820													X	X																					
			270896															X																				
			270895																X	X	X																	
			270824																				X															
			270898																				X	X					X									
			270897																						X	X			X	X	X							
			270830																							X												
			270834																															X	X			
			270900																																			
			270899																																			
			270838																																			
			270716																																			
			270842																																			
			270901																																			
			270846																																			
			270850																																			
			270903																																			
			270854																																			
			270858																																			







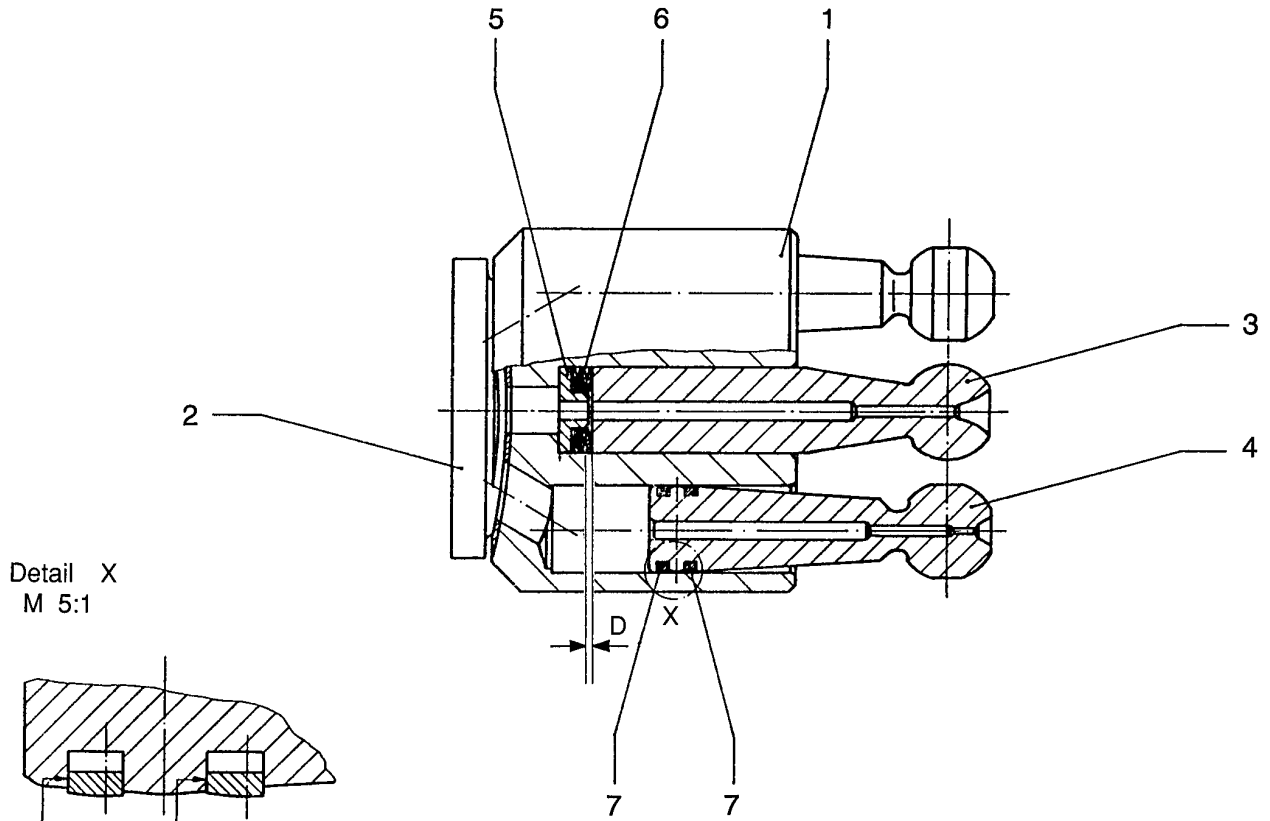








Pos.	Description	Qty.	Hydromatik Part No.	AA2FM. 80/61W - XXD51	AA2FM. 80/61W - XXD52	AA2FM. 80/61W - XSD51	AA2FM. 80/61W - PSD51	AA2FM. 80/61W - PSD52	AA2FM. 80/61W - PBD52	AA2FM. 90/61W - XXD51	AA2FM. 90/61W - XSD51	AA2FM. 90/61W - PSD51	AA2FM. 90/61W - PSD52	AA2FM. 90/61W - PBD51	AA2FM. 90/61W - PBD52	AA2FM. 107/61W - PSD51	AA2FM. 107/61W - PSD52	AA2FM. 107/61W - PSD527	AA2FM. 107/61W - PBD52	AA2FM. 125/61W - PSD51	AA2FM. 125/61W - PSD52	AA2FM. 125/61W - VSD52	AA2FM. 125/61W - PBD51	AA2FM. 125/61W - PBD52	AA2FM. 160/61W - PSD51	AA2FM. 160/61W - PSD52	AA2FM. 160/61W - PBD51	AA2FM. 160/61W - PBD52	AA2FM. 180/61W - PSD52	AA2FM. 180/61W - PSD51	AA2FM. 180/61W - PSD52	AA2FM. 180/61W - PBD52					
(8)	O-Ring	1	086630																																		
			083785																																		
			086626																																		
			085567																																		
			083824																																		
			086638																																		
			086949																																		
			154986																																		
			083827	X	X	X	X	X		X	X	X	X																								
			086008					X					X	X																							
			152647											X	X	X				X	X																
			086636															X				X	X	X													
			085366																				X	X						X	X	X					
			086635																							X	X		X	X						X	
(9)	Shim	2	156378																																		
			084587																																		
			156447																																		
			152831																																		
			156275	X	X	X	X	X	X	X	X	X	X	X	X																						
			154359													X	X	X	X	X	X	X	X	X													
			154260																						X	X	X	X	X	X	X	X	X	X	X	X	X
(10)	Shim	1	156379																																		
			084586																																		
			156448																																		
			084592																																		
			156276	X	X	X	X	X	X	X	X	X	X	X	X																						
			154360											X	X	X	X	X	X	X	X	X	X	X													
			087601																					X	X	X	X	X	X	X	X	X	X	X	X	X	
(11)	Slot Head Screw	7	153604																																		
			153616																																		
			156201																																		
			153617																																		
			154803	X	X	X	X	X	X	X	X	X	X	X	X																						
			153648											X	X	X	X	X	X	X	X	X	X														
			156120																					X	X	X	X	X	X	X	X	X	X	X	X	X	



Installation as per markings on the piston ring

**Fixed Displacement Motor  
Series 61  
Rotary Group  
Hydraulic Section**

Pos.	Description	Qty.	Hydromatik Part No.	AA2FM. 10/61W - PPC53	AA2FM. 12/61W - PPC53	AA2FM. 16/61W - VSC53	AA2FM. 16/61W - PSC53	AA2FM. 16/61W - PBC53	AA2FM. 23/61W - PSCX	AA2FM. 32/61W - PSDX	AA2FM. 32/61W - VSD52	AA2FM. 32/61W - PSD51	AA2FM. 32/61W - PSD52	AA2FM. 32/61W - PSD53	AA2FM. 32/61W - PSD54	AA2FM. 32/61W - PBD52	AA2FM. 32/61W - PBD53	AA2FM. 45/61W - PXD52	AA2FM. 45/61W - XSD51	AA2FM. 45/61W - PSD51	AA2FM. 45/61W - PSD52	AA2FM. 45/61W - PBD52	AA2FM. 56/61W - PSD52	AA2FM. 56/61W - PSDX	AA2FM. 56/61W - PSD51	AA2FM. 56/61W - PSD52	AA2FM. 56/61W - PBD52	AA2FM. 63/61W - PDX	AA2FM. 63/61W - PSDX	AA2FM. 63/61W - PSD51	AA2FM. 63/61W - PSD52	AA2FM. 63/61W - PBD51	AA2FM. 63/61W - PBD52				
(1)	Cylinder	1	421298	X																																	
	Barrel		421299		X																																
			421300			X	X	X																													
			421301						X																												
			421303							X	X	X	X	X	X	X	X																				
			421304															X		X	X	X															
			409878																X																		
			421305																				X	X	X	X	X										
			421306																										X	X	X	X	X	X	X	X	
			421307																																		
			419996																																		
			421308																																		
			421309																																		
			421310																																		
			421312																																		
			421313																																		





Pos.	Description	Qty.	Hydromatik Part No.	AA2FM. 80/61W - XXD51	AA2FM. 80/61W - XXD52	AA2FM. 80/61W - XSD51	AA2FM. 80/61W - PSD51	AA2FM. 80/61W - PSD52	AA2FM. 80/61W - PBD52	AA2FM. 90/61W - XXD51	AA2FM. 90/61W - XSD51	AA2FM. 90/61W - PSD51	AA2FM. 90/61W - PSD52	AA2FM. 90/61W - PBD51	AA2FM. 90/61W - PBD52	AA2FM. 107/61W - PSD51	AA2FM. 107/61W - PSD52	AA2FM. 107/61W - PSD527	AA2FM. 107/61W - PBD52	AA2FM. 125/61W - PSD51	AA2FM. 125/61W - PSD52	AA2FM. 125/61W - VSD52	AA2FM. 125/61W - PBD51	AA2FM. 125/61W - PBD52	AA2FM. 160/61W - PSD51	AA2FM. 160/61W - PSD52	AA2FM. 160/61W - PBD51	AA2FM. 160/61W - PBD52	AA2FM. 180/61W - PSD52	AA2FM. 180/61W - PSD51	AA2FM. 180/61W - PSD52	AA2FM. 180/61W - PBD52						
				(2)	Control Plate	1	425902																															
			426090																																			
			411105																																			
			425895																																			
			408925																																			
			409874																																			
			409735																																			
			409990																																			
			409712	X	X	X	X	X	X																													
			408460							X	X	X	X	X	X																							
			409683													X	X	X	X																			
			409545																	X	X	X	X	X														
			409211																							X	X	X	X									
			406166																												X	X	X	X	X	X		
(3)	Central Pin	1	411107																																			
			408923																																			
			409879																																			
			409992																																			
			408461	X	X	X	X	X	X	X	X	X	X	X	X																							
			409486													X	X	X	X	X	X	X	X	X														
			409133																								X	X	X	X	X	X	X	X	X	X	X	
(4)	Piston	7	430106																																			
			430107																																			
			430108																																			
			426818																																			
			426814																																			
			426811																																			
			426817																																			
			426813																																			
			426812	X	X	X	X	X	X																													
			426816							X	X	X	X	X	X																							
			426823													X	X	X	X																			
			426822																		X	X	X	X	X													
			426820																								X	X	X	X								
			426819																															X	X	X	X	











**Notes:**

***The Rexroth Corporation***

*Industrial Hydraulics Division, P.O. Box 2407, 2315 City Line Road, Bethlehem, PA 18017-2131, Tel. 215-694-8300, Telefax 215-694-8467*

*Mobile Hydraulics Division, P.O. Box 394, 1700 Old Mansfield Road, Wooster, OH 44691-0394, Tel. 216-263-3300, Telefax 216-263-3300*

*Pneumatics Division, P.O. Box 13597, 1953 Mercer Road, Lexington, KY 40511-1021, Tel. 606-254-8031, Telefax 606-254-4188*

*Indramat Division, 255 Mittel Drive, Wood Dale, IL 60191, Tel. 708-860-1010, Telefax 708-530-4631*