

Spare parts list

Product Unit  
Axial Piston Units

Part No.: R909401762

Designation: VERSTELLPUMPE A4V-125 HD \*G\*

Pos.	Part No.	Designation	Quantity	
1	R909400454	ROTARY GROUP	1 ST	L
2	R909414470	HYDRAULIC CONTROL	1 ST	L
3	R909080279	PORT PLATE WITH VALVES	1 ST	L
4	R909400395	INTERNAL GEAR PUMP	1 ST	L
6	R909401736	CONTROL MODULE	1 ST	L
10	R909405947	HOUSING WITH BUSH	1 ST	
11	R909074124	FLANGE	1 ST	
12	R909414045	CONNECTING AGAINST TORSION	1 ST	
12	R909414046	CONNECTING AGAINST TORSION	1 ST	
13	R909405968	THREADED PIN	1 ST	
14	R909400353	PIPE WITH ACCESORIES	1 ST	L
15	R909074134	SLIDE RING	1 ST	
16	R909405732	DOWEL PIN	1 ST	
20	R909153861	LOCKING SCREW	1 ST	D
21	R909151692	LOCKING SCREW	5 ST	D
22	R909083229	LOCKING SCREW	1 ST	D
23	R909084792	LOCKING SCREW	1 ST	D
24	R909085545	O-RING	1 ST	D
25	R909083829	O-RING	1 ST	D
26	R909152975	SEAL LOCK NUT	1 ST	D
27	R909831318	DOUBLE BREAK-OFF PIN	1 ST	D
29	R909156490	ORIFICE	2 ST	
30	R909083141	SOCKET-HEAD SCREW	4 ST	

Spare parts list

Product Unit  
Axial Piston Units

Part No.: R909400454  
Designation: ROTARY GROUP

Drawing no.: R909705098

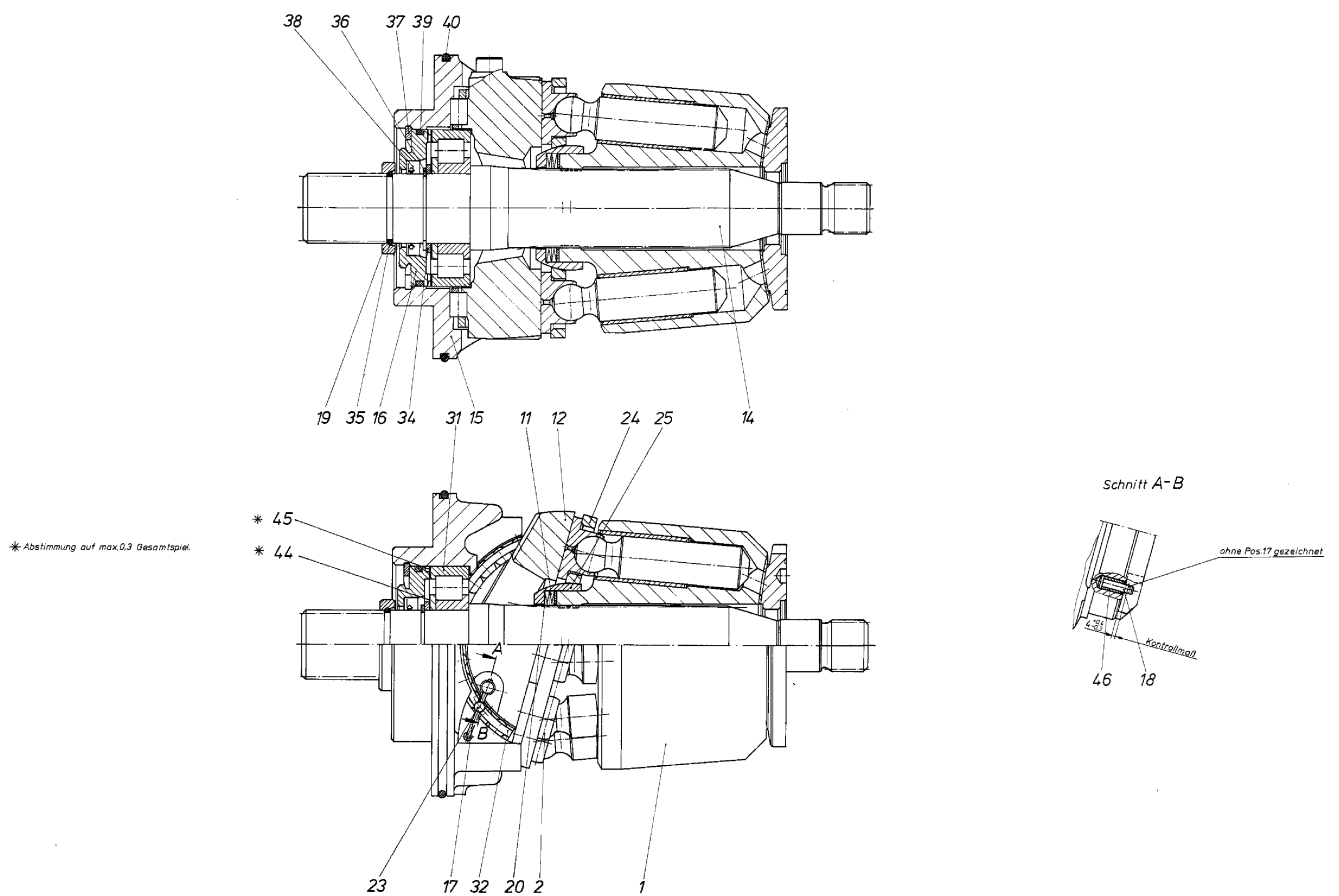
Pos.	Part No.	Designation	Quantity	
1	R909405633	CYLINDER WITH CONTROL PLATE	1 ST	
2	R909078189	PISTON-SLIPPER PAD	9 ST	
11	R909074128	CUP-SPRING STACK	1 ST	
12	R909431359	CRADLE	1 ST	
14	R909079271	DRIVE SHAFT	1 ST	
15	R909080296	BEARING FLANGE	1 ST	
16	R909071336	COVER	1 ST	D
17	R909417959	WIRE	2 ST	
18	R909076231	JOINT PIN	2 ST	
19	R909074142	STOP RING	1 ST	
20	R909412706	SHIM	1 ST	
20	R909412707	SHIM	1 ST	
20	R909413043	SHIM	1 ST	
20	R909078319	SHIM	1 ST	
23	R909401842	ROLLER	2 ST	
24	R909432846	RETAINING PLATE	1 ST	
25	R909426460	RETAINING BALL	1 ST	
31	R909153803	PLAIN ROLLER BEARING	1 ST	
32	R909830058	CRADLE BEARING ASSEMBLY ( SET)	1 ST	
34	R909086229	BACK-UP PLATE	1 ST	
35	R909153675	SNAP RING	1 ST	
36	R909083362	RETAINING RING	1 ST	
37	R909083416	RETAINING RING	1 ST	
38	R909830382	SHAFT SEAL RING	1 ST	D
39	R909083822	O-RING	1 ST	D
40	R909086482	O-RING	1 ST	D
44	R909086231	SHIM	1 ST	
44	R909086230	SHIM	1 ST	
45	R909084589	SHIM	1 ST	
45	R909084588	SHIM	1 ST	
46	R909153928	CLAMPING PIN	2 ST	

Spare parts list

Part No.: R909400454  
Designation: ROTARY GROUP

Product Unit  
Axial Piston Units

Drawing no.: R909705098



**Spare parts list**

Product Unit

Axial Piston Units

Part No.: R909414470

Designation: HYDRAULIC CONTROL

Drawing no.: R909730287

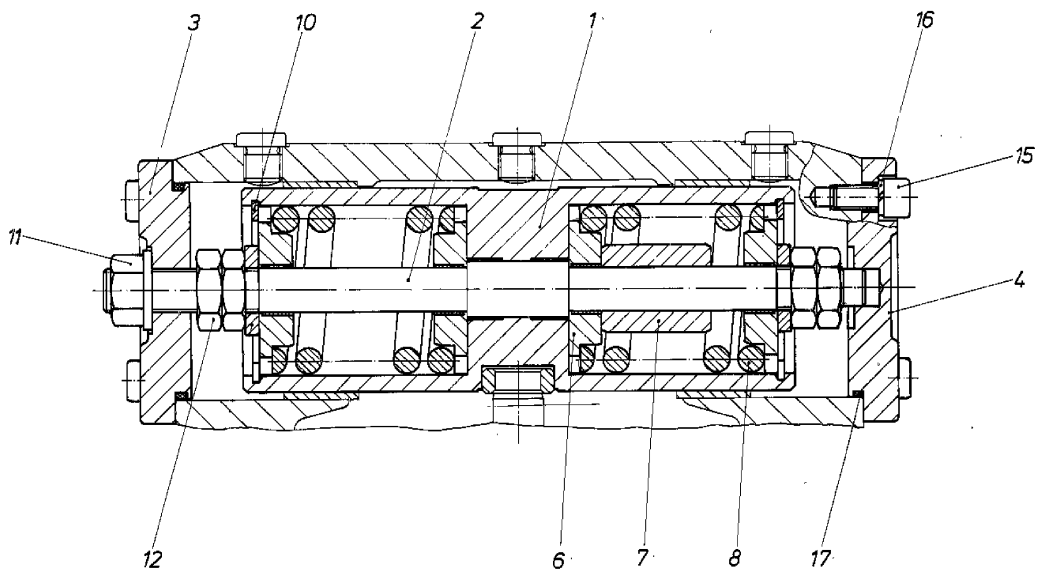
Pos.	Part No.	Designation	Quantity	
1	R902002649	POSITIONING PISTON	1 ST	
2	R909431703	ROD	1 ST	
3	R909400431	COVER	1 ST	
4	R909414458	COVER	1 ST	
6	R909408001	SPRING PLATE WITH DU-BUSH	4 ST	
7	R909078359	SPACER BUSH	1 ST	
7	R909078358	SPACER BUSH	2 ST	
7	R909078360	SPACER BUSH	1 ST	
8	R909418169	PRESSURE SPRING	2 ST	
10	R909156216	SEEGER-V-RING	2 ST	
11	R909152975	SEAL LOCK NUT	1 ST	D
12	R909156199	HEXAGON NUT	4 ST	
15	R909083034	SOCKET-HEAD SCREW	8 ST	
16	R909083250	LOCK WASHER	8 ST	
17	R909150068	O-RING	2 ST	D

## Spare parts list

Product Unit  
Axial Piston Units

Part No.: R909414470  
Designation: HYDRAULIC CONTROL

Drawing no.: R909730287



**Spare parts list**

Product Unit

Axial Piston Units

Part No.: R909080279

Designation: PORT PLATE WITH VALVES

Drawing no.: R909705513

Pos.	Part No.	Designation	Quantity	
1	R909408590	PRESSURE RELIEF VALVE	2 ST	L
2	R909427263	PRESSURE RELIEF VALVE	1 ST	L
5	R909080110	PORT PLATE	1 ST	
7	R909083145	SOCKET-HEAD SCREW	4 ST	
8	R909157085	QUAD BONDET RING	2 ST	D
9	R909083828	O-RING	1 ST	D
11	R909831318	DOUBLE BREAK-OFF PIN	1 ST	D
12	R909083219	LOCKING SCREW	2 ST	
14	R909083749	O-RING	2 ST	D
17	R909078295	DOUBLE BREAK-OFF PIN	1 ST	
19	R909445051	CLUTCH HUB	1 ST	
22	R909156113	PLAIN ROLLER BEARING	1 ST	
23	R909153971	SNAP RING	1 ST	
24	R909087873	LOCKING SCREW	1 ST	
25	R909086380	O-RING	1 ST	D
26	R909153815	LOCKING SCREW	2 ST	D
40	R909830411	CLAMPING PIN	1 ST	

Spare parts list

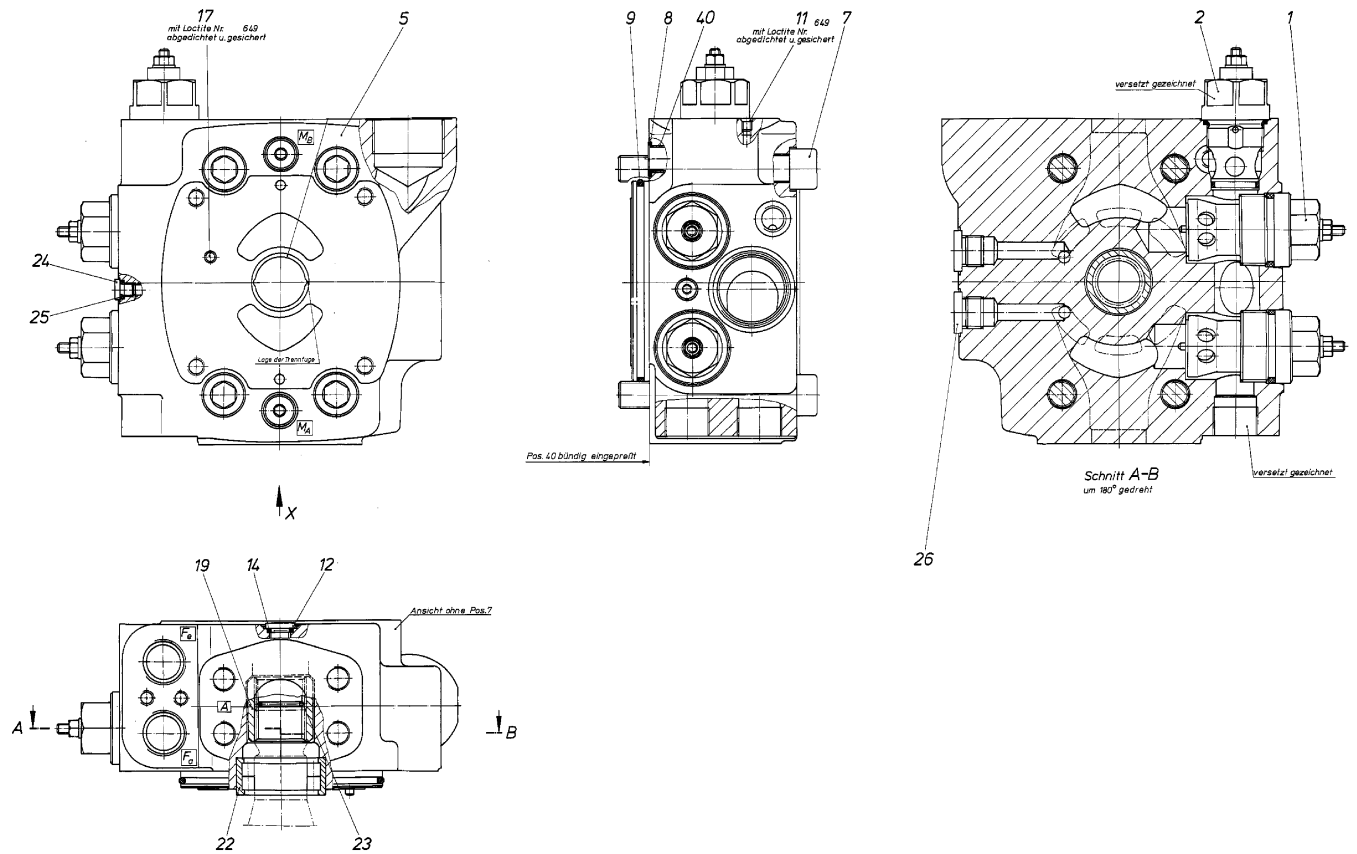
Part No.: R909080279

Designation: PORT PLATE WITH VALVES

Product Unit

Axial Piston Units

Drawing no.: R909705513



## Spare parts list

Product Unit

Axial Piston Units

Part No.: R909408590

Designation: PRESSURE RELIEF VALVE

Drawing no.: R909731020

Pos.	Part No.	Designation	Quantity	
1	R909408591	VALVE BUSHING	1 ST	
2	R909408592	SPRING CAGE	1 ST	
3	R909408593	PISTON	1 ST	
4	R909408594	RING PISTON	1 ST	
5	R909408595	VALVE COLLAR	1 ST	
6	R909402841	VALVE POPPET	1 ST	
7	R909402842	SPRING COLLAR	1 ST	
9	R909408596	PRESSURE SPRING	1 ST	
10	R909080803	PRESSURE SPRING	1 ST	
12	R909154140	THREADED PIN	1 ST	
13	R909152425	SEAL LOCK NUT	1 ST	D
14	R909083764	O-RING	1 ST	D
15	R909084890	O-RING	1 ST	D



## Spare parts list

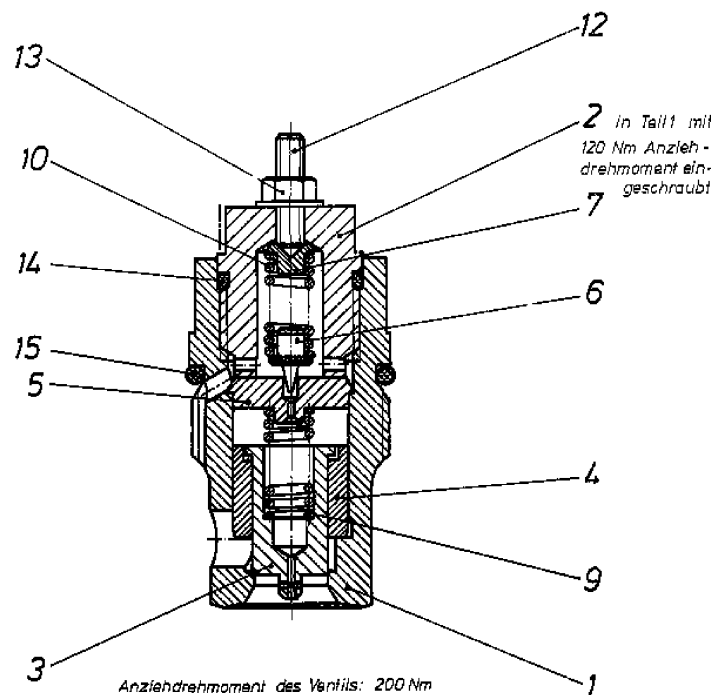
Part No.: R909408590

Designation: PRESSURE RELIEF VALVE

Product Unit

Axial Piston Units

Drawing no.: R909731020



**Spare parts list**

Product Unit

Axial Piston Units

Part No.: R909427263

Designation: PRESSURE RELIEF VALVE

Drawing no.: R909730862

Pos.	Part No.	Designation	Quantity	
1	R909426621	VALVE BUSHING	1 ST	
2	R909426622	VALVE PISTON	1 ST	
3	R909404407	LOCKING SCREW	1 ST	D
4	R909426624	SPRING COLLAR	2 ST	
5	R909426625	PRESSURE SPRING	1 ST	
9	R909154140	THREADED PIN	1 ST	
10	R909152425	SEAL LOCK NUT	1 ST	D
11	R909083761	O-RING	1 ST	D
12	R909086731	O-RING	1 ST	D
13	R909083761	O-RING	1 ST	D

## Spare parts list

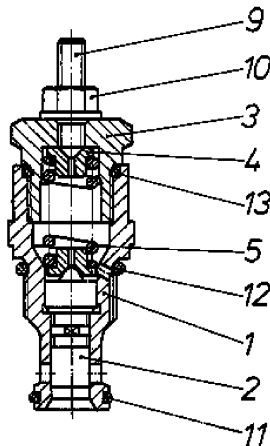
Part No.: R909427263

Designation: PRESSURE RELIEF VALVE

Product Unit

Axial Piston Units

Drawing no.: R909730862



**Spare parts list**

Product Unit

Axial Piston Units

Part No.: R909400395

Designation: INTERNAL GEAR PUMP

Drawing no.: R909723663

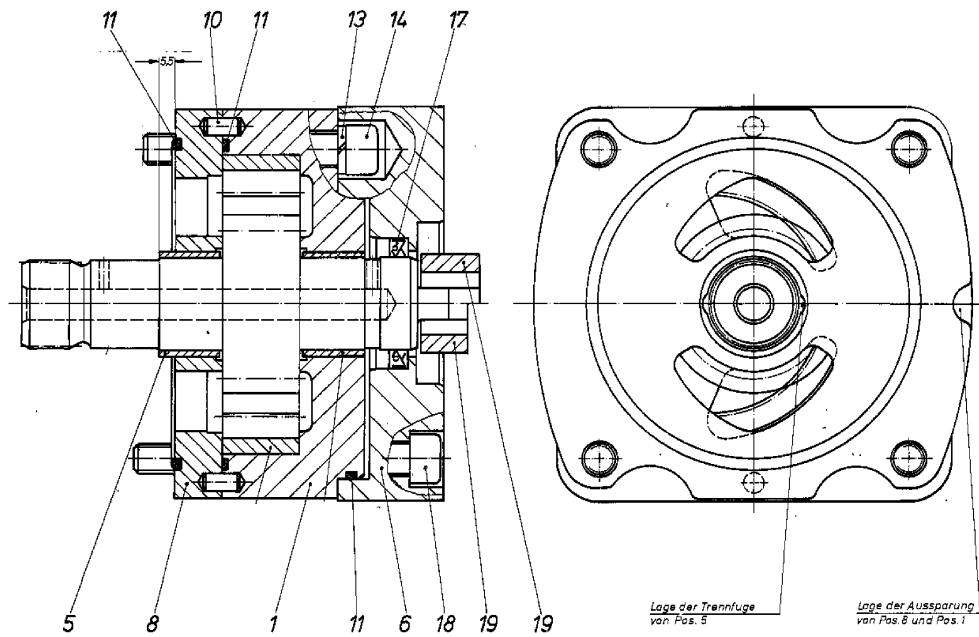
Pos.	Part No.	Designation	Quantity	
1	R909401789	PUMP COVER	1 ST	L
5	R909079478	BEARING BUSHING	1 ST	
6	R909079253	FLANGE	1 ST	
8	R909079494	SANDWICH PLATE	1 ST	
10	R909084162	CYLINDER PIN	2 ST	
11	R909086823	O-RING	3 ST	D
13	R909083251	LOCK WASHER	2 ST	
14	R909083070	SOCKET-HEAD SCREW	2 ST	
17	R909153249	SHAFT SEAL RING	1 ST	D
18	R909083074	SOCKET-HEAD SCREW	2 ST	
19	R909403668	COUPLING ADAPTER	1 ST	
19	R909403669	COUPLING ADAPTER	1 ST	

## Spare parts list

Part No.: R909400395  
Designation: INTERNAL GEAR PUMP

Product Unit  
Axial Piston Units

Drawing no.: R909723663



## Spare parts list

Product Unit  
Axial Piston Units

Part No.: R909401789  
Designation: PUMP COVER

Drawing no.: R909723602

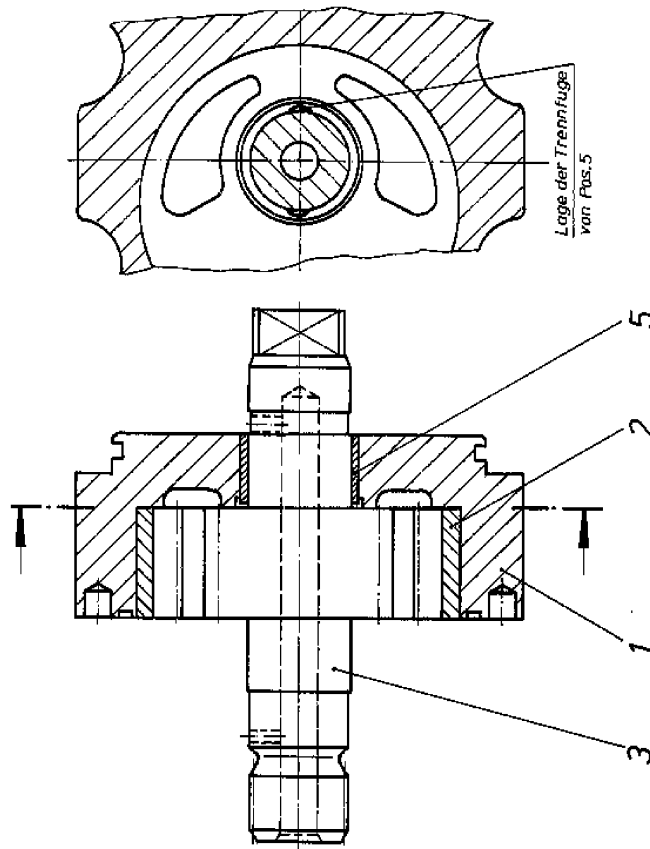
Pos.	Part No.	Designation	Quantity
1	R909080216	PUMP COVER	1 ST
2	R909425990	ANNULAR GEARS	1 ST
3	R909401742	PINION SHAFT	1 ST
5	R909079478	BEARING BUSHING	1 ST

## Spare parts list

Part No.: R909401789  
Designation: PUMP COVER

Product Unit  
Axial Piston Units

Drawing no.: R909723602



**Spare parts list**Product Unit  
Axial Piston UnitsPart No.: R909401736  
Designation: CONTROL MODULE

Drawing no.: R909726205

Pos.	Part No.	Designation	Quantity	
1	R909404608	HOUSING	1 ST	L
2	R909071512	COVER	1 ST	
8	R909921218	DRAW SPRING	1 ST	
9	R902066611	GASKET	1 ST	D
10	R909417431	HOUSING	2 ST	
11	R909401735	PISTON	2 ST	
12	R902050037	GASKET	1 ST	D
20	R909083029	SOCKET-HEAD SCREW	4 ST	
25	R909083737	O-RING	2 ST	D
26	R909087538	THREADED PIN	2 ST	
28	R909086070	SOCKET-HEAD SCREW	8 ST	

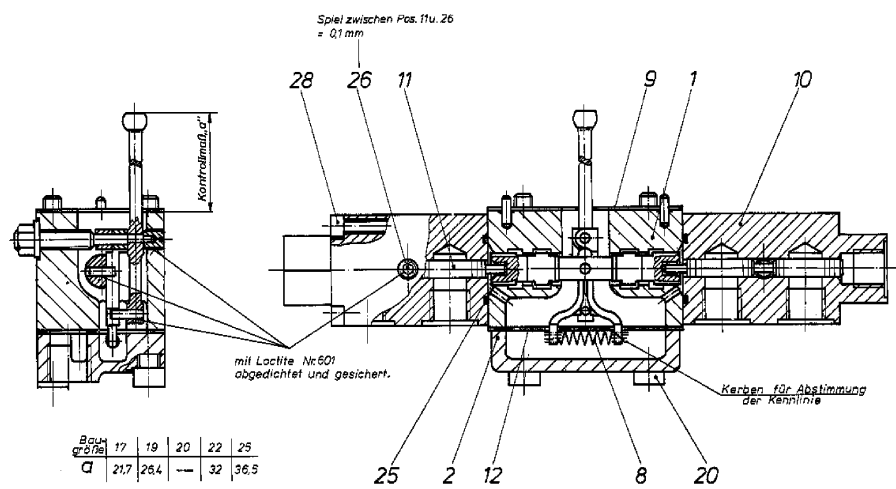


Spare parts list

Product Unit  
Axial Piston Units

Part No.: R909401736  
Designation: CONTROL MODULE

Drawing no.: R909726205



## Spare parts list

Product Unit

Axial Piston Units

Part No.: R909404608  
Designation: HOUSING

Drawing no.: R909726384

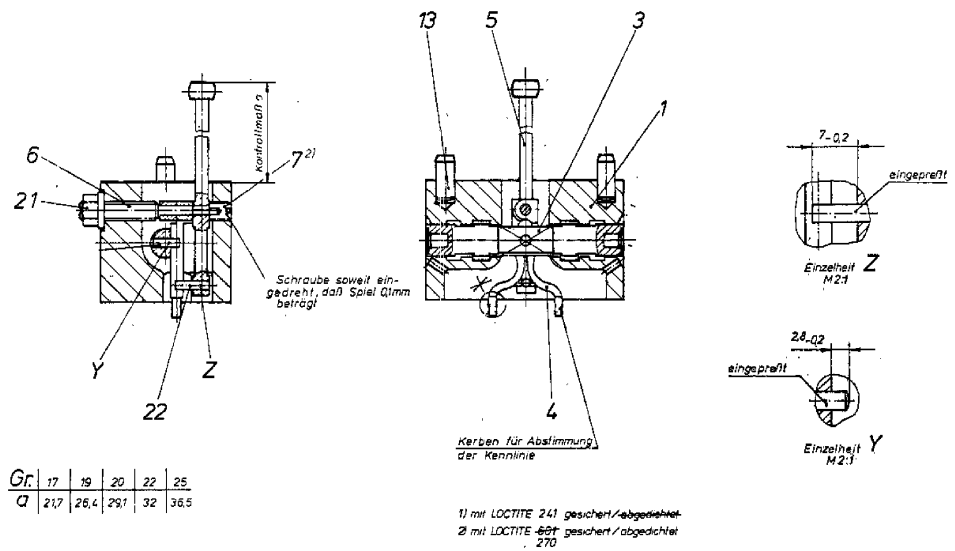
Pos.	Part No.	Designation	Quantity	
1	R909650739	HOUSING	1 ST	
3	R909417412	CONTROL PISTON WITH CYL.PIN	1 ST	
4	R909417155	LEVER	2 ST	
5	R909430310	FEEDBACK LEVER	1 ST	
6	R909449837	ECCENTRIC PIN	1 ST	
7	R902016196	THREADED PIN	1 ST	
13	R909087338	CYLINDER PIN	2 ST	D
21	R909152425	SEAL LOCK NUT	1 ST	D
22	R909151552	NEEDLE ROLLER	1 ST	

## Spare parts list

Part No.: R909404608  
Designation: HOUSING

Product Unit  
Axial Piston Units

Drawing no.: R909726384



## Spare parts list

Product Unit

Axial Piston Units

Part No.: R909400353

Designation: PIPE WITH ACCESORIES

Drawing no.: R909731545

Pos.	Part No.	Designation	Quantity	
2	R909400362	PIPE WITH WELDED RING SUPPORTS	1 ST	
3	R909153218	SEAL RING	2 ST	D
4	R909084037	SEAL RING	2 ST	D
5	R909154383	HOLLOW SCREW	2 ST	

## Spare parts list

Part No.: R909400353

Designation: PIPE WITH ACCESORIES

Product Unit

Axial Piston Units

Drawing no.: R909731545

