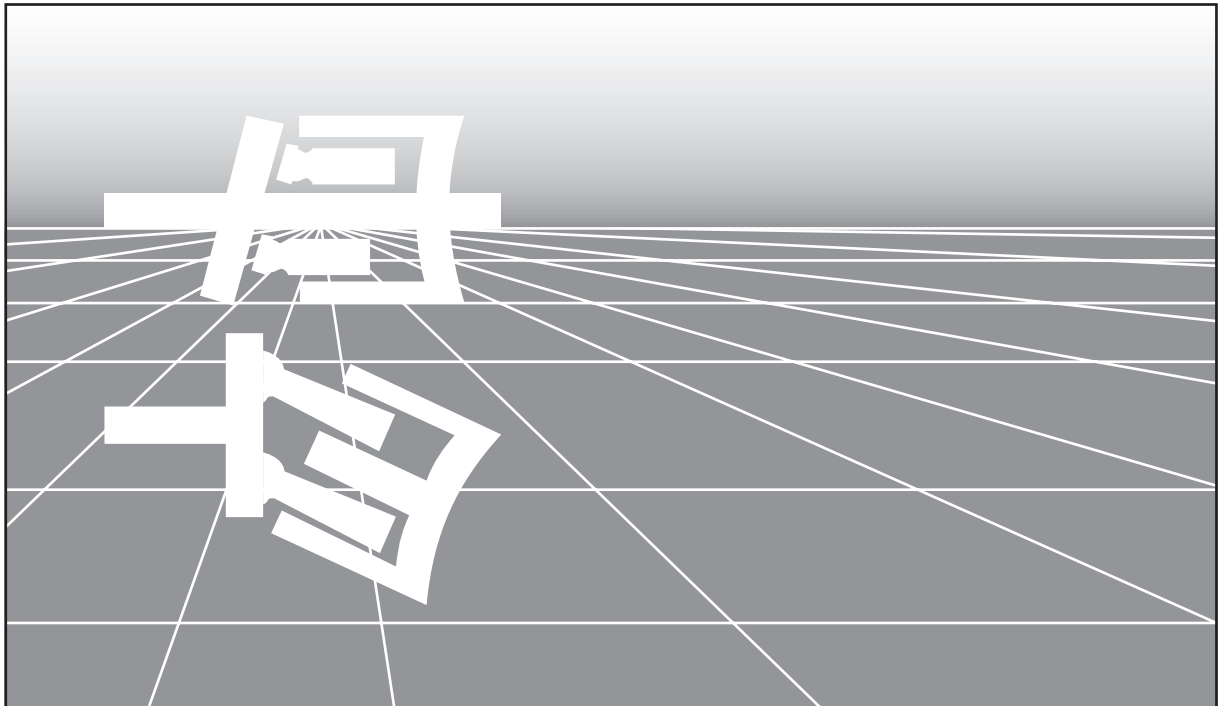


**Service Parts List**

**AA4V250**

Series 2



## Ordering of AA4V Parts

For Rexroth to supply the correct parts for your unit, please include all of the following information with your parts order.

TYPE CODE  
TYPE NUMBER  
SERIAL NUMBER  
PART NUMBER  
PART NAME

Due to modifications and improvements to our products, minor changes can occur to the parts, even though the type code may not necessarily reflect these changes. The type number and serial number will guarantee that the correct parts for your unit are supplied.

|                                    |               |                |
|------------------------------------|---------------|----------------|
| HYDROMATIK GMBH<br>ULM (DONAU)     |               |                |
| THE REXROTH CORP., WOOSTER, OHIO   |               |                |
| TYPE<br>AA4VG71HDD1/32R-PSF52F001D |               |                |
| NO<br>245.18.43.23                 |               |                |
| SERIAL NO.<br>1127809              | YEAR<br>10.95 | MINERAL<br>OIL |
| MADE IN W. GERMANY                 |               |                |
| ROTATION                           |               |                |

### ORDERING EXAMPLE

To order a replacement charge pump for an AA4V hydrostatic transmission pump having the above nameplate, the following information would be required.

|                 |                 |
|-----------------|-----------------|
| + Type Code     | AA4V90HD1R30101 |
| + Type Number   | 233.22.15.23    |
| + Serial Number | 1127809         |
| * Part Number   | 5440-430-001    |
| * Part Name     | Charge Pump     |

+ This information is taken from the nameplate on the pump.

\* This information is taken from the Service Parts List.

Rotary Groups.....Page 6-9

Housing.....10-11

Stroking Piston.....12-13

Port Block.....14-15

HD Control.....16-17

HW Controls.....18-19

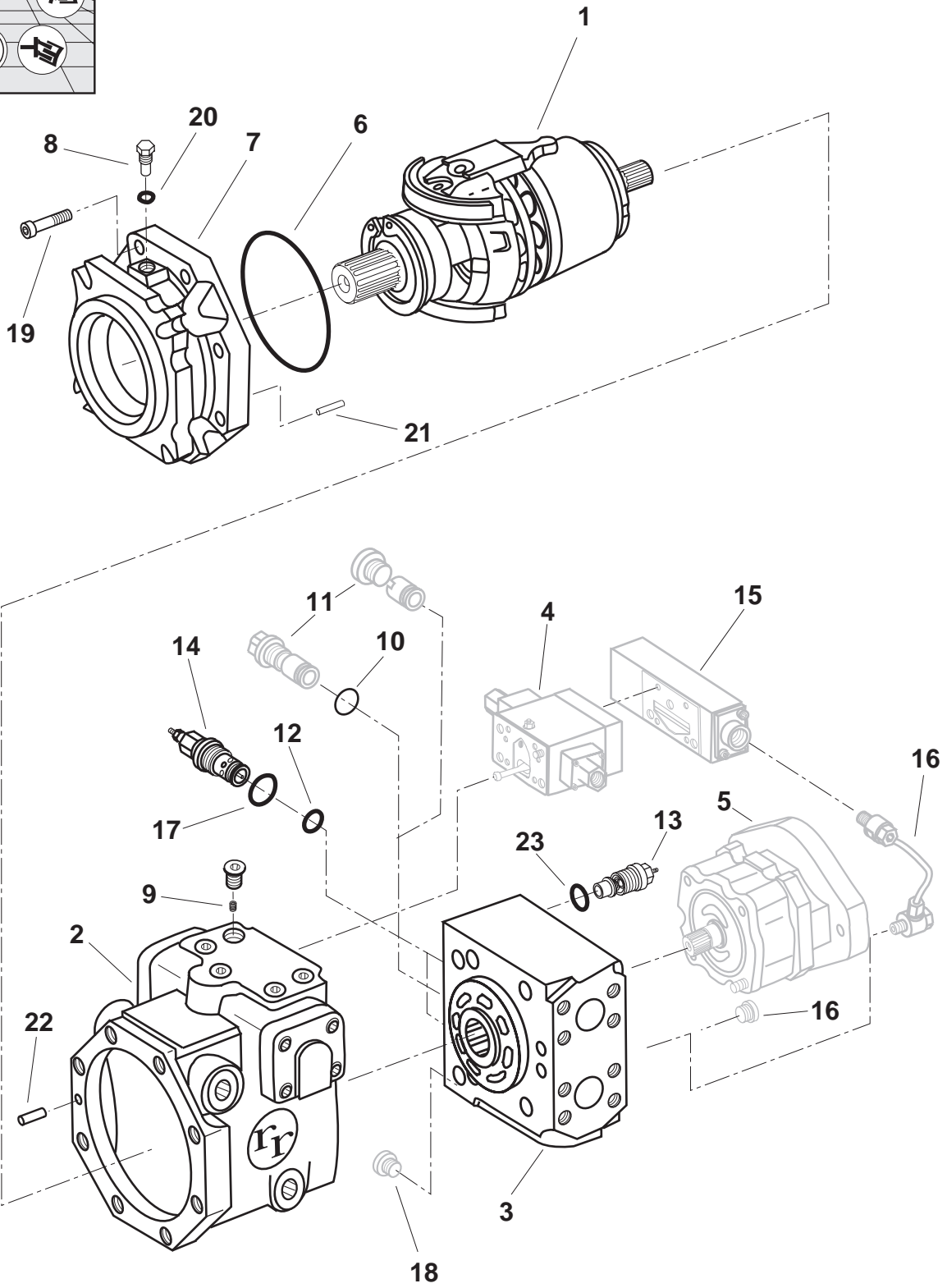
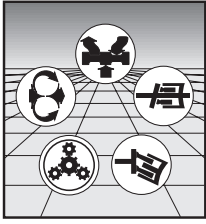
EL Controls.....20-23

Charge Pump.....24-25

Thru-Drives.....26-33

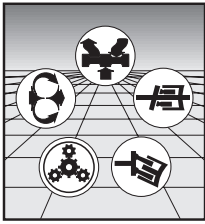
P.O.R.....34-35

[Back to Index](#)



Assembly Number  
**AA4V250**

[Back to Index](#)



# REXROTH CORPORATION

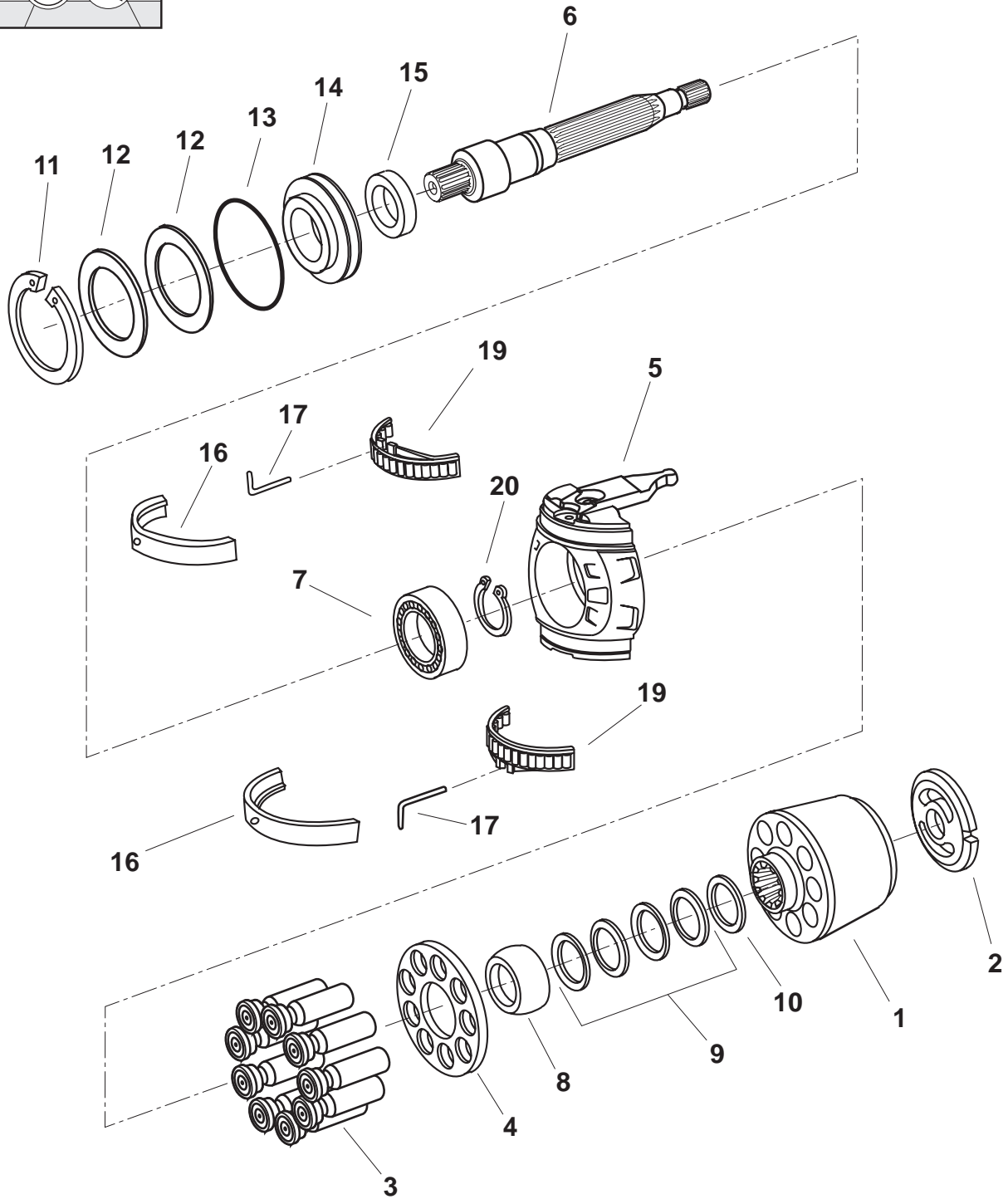
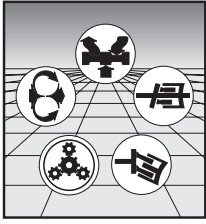
## MOBILE HYDRAULICS DIVISION

Assembly Number  
**AA4V250**

| Item | Description                              | Qty | Part Number  |   |
|------|--|-----|--------------|---|
| 1    | Rotary - Group CW                        | 1   | 5460-570-001 |   |
| 1    | Rotary - Group CCW                       | 1   | 5460-570-002 |   |
| 2    | Housing Assembly                         | 1   | 5460-566-007 |   |
| 3    | Port Block Assembly                      | 1   | 5460-430-007 |   |
| 4    | HD Control Assembly                      | 1   | 5461-552-001 |   |
| 4    | HW Control Assembly                      | 1   | 5462-552-001 |   |
| 4    | EL Control Ass'y (24 Volts Proportional) | 1   | 5463-552-001 |   |
| 4    | EL Control Ass'y (12 Volts Proportional) | 1   | 5463-552-002 |   |
| 5    | Charge Pump                              | 1   | 5460-430-001 |   |
| 5    | Charge Pump "A" Thru Drive Assembly)     | 1   | 5460-635-003 |   |
| 5    | Charge Pump "B" Thru Drive Assembly)     | 1   | 5460-635-002 |   |
| 5    | Charge Pump "B-B" Thru Drive Assembly)   | 1   | 5460-635-001 |   |
| 5    | Charge Pump "C" Thru Drive Assembly)     | 1   | 5460-635-004 |   |
| 6    | O-Ring (70 Duro Buna PRP-275)            | 1   | 68101-275    | * |
| 7    | Front Cover                              | 1   | H430394      |   |
| 8    | Retaining Bolt                           | 2   | H430389      |   |
| 9    | Stroking Time Orifice (1.6 mm)           | 2   | H063399      |   |
| 9    | Stroking Time Orifice (1.8 mm)           | 2   | H060751      |   |
| 9    | Stroking Time Orifice (2.0 mm)           | 2   | H063243      |   |
| 9    | Stroking Time Orifice (2.2 mm)           | 2   | H058115      |   |
| 9    | Stroking Time Orifice (2.5 mm)           | 2   | H069244      |   |
| 10   | O-Ring (90 Duro Buna PRP-132)            | 1   | 68104-132    | * |
| 11   | Kit Suction Filtration                   | 1   | 5460-635-014 |   |
| 11   | Filter Sleeve                            | 1   | 5460-583-001 |   |
| 12   | O-Ring (90 Duro Buna PRP-119)            | 3   | 68104-119    | * |
| 13   | Charge Pressure R/V Assembly             | 1   | 5460-566-004 |   |
| 14   | Main R/V Assembly (High Range)           | 1   | 5460-566-001 |   |
| 14   | Main R/V Assembly (Low Range)            | 1   | 5460-566-002 |   |
| 15   | POR Assembly                             | 1   | 5460-635-005 |   |
| 16   | POR Control Tube                         | 1   | 5460-635-007 | * |
| 16   | Plug (M12 x 1.5)                         | 1   | 76116-002    |   |
| 17   | O-Ring (90 Duro Buna PRP-133)            | 3   | 68104-133    | * |
| 18   | Plug (SAE 1 5/16-12 UNF)                 | 1   | 76107-016    |   |
| 19   | Cap Screw (M16 x 50 DIN 912-10.9)        | 8   | 60119-179    |   |
| 20   | O-Ring (90 Duro Buna PRP-011)            | 2   | 68104-011    | * |
| 21   | Roll Pin (4 x 14 mm DIN 7344)            | 2   | H153512      |   |
| 22   | Dowell Pin (10 x 24 mm DIN 6325)         | 1   | 69116-011    |   |

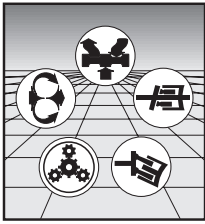
\* Contained in Buna Seal Kit 5460-635-006

[Back to Index](#)



[Back to Index](#)

Assembly Number  
**5460-570-001**



# REXROTH CORPORATION

## MOBILE HYDRAULICS DIVISION

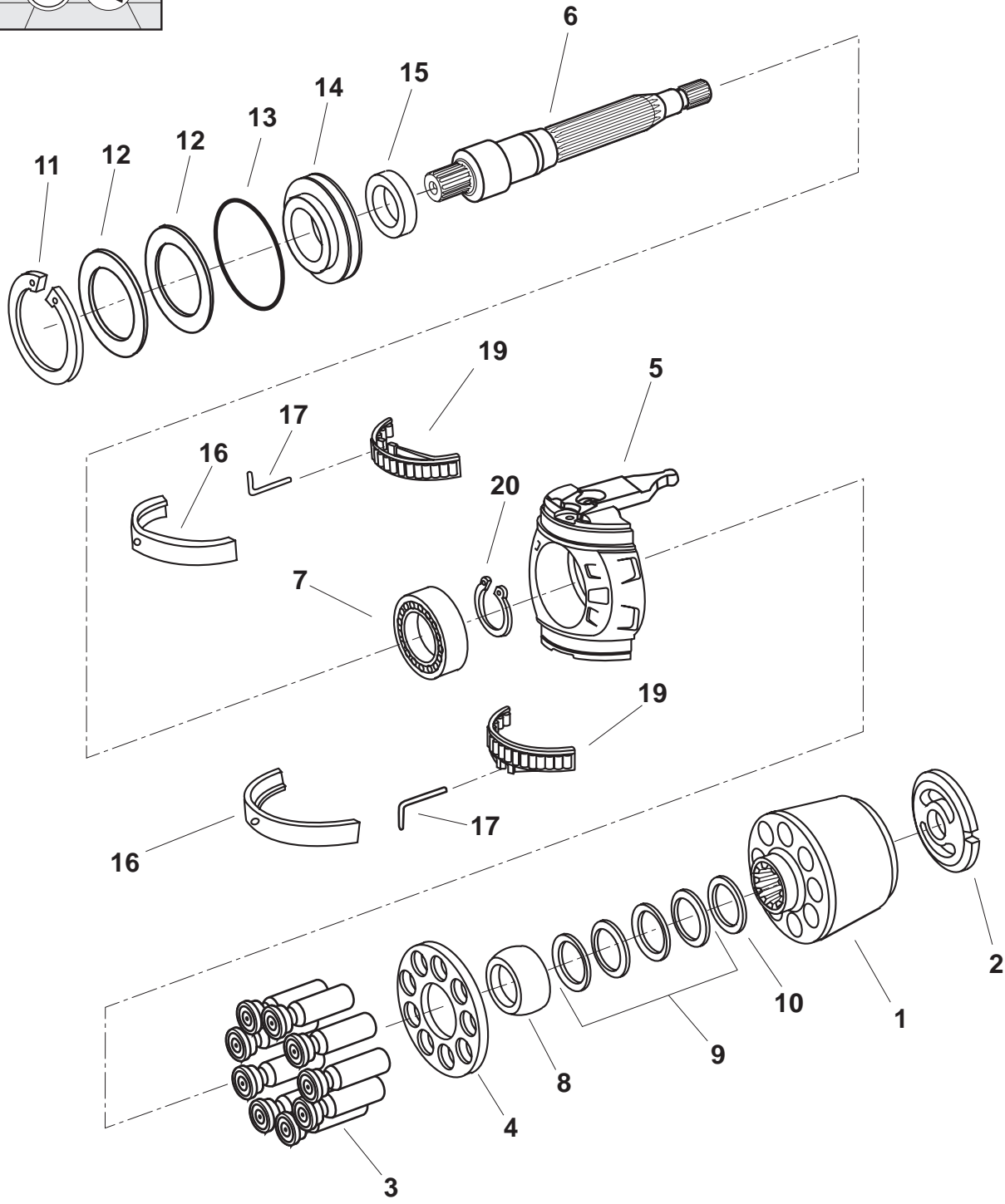
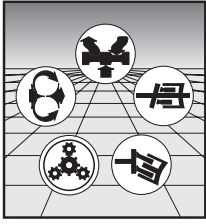
Assembly Number  
**5460-570-001**

| Item | Description                      | Qty | Part Number  |   |
|------|----------------------------------|-----|--------------|---|
| 1    | Barrel A4V250                    | 1   | H415131      |   |
| 2    | Control Lens CW                  | 1   | 5460-049-001 |   |
| 3    | Piston                           | 9   | H401845      |   |
| 4    | Retaining Plate                  | 1   | H431018      |   |
| 5    | Swash Plate Assembly (with Pins) | 1   | H436053      |   |
| 6    | Shaft SAE                        | 1   | H405550      |   |
| 7    | Roller Bearing                   | 1   | H154512      |   |
| 8    | Retaining Ball                   | 1   | H426462      |   |
| 9    | Belleville Washers (set)         | 1   | H403548      |   |
| 10   | Preload Shim (0.6 mm)            | 1   | H401886      | ▲ |
| 10   | Preload Shim (1.0 mm)            | 0   | H401887      | ▲ |
| 10   | Preload Shim (0.8 mm)            | 0   | H408065      | ▲ |
| 10   | Preload Shim (1.2 mm)            | 0   | H408066      | ▲ |
| 11   | Int. Snap Ring (140 x 4 DIN 472) | 1   | 71128-068    |   |
| 12   | Shim (70 x 90 x 1 DIN 988)       | 1   | H084590      |   |
| 12   | Shim (70 x 90 x 0.1 DIN 988)     | 2   | H084588      |   |
| 12   | Shim (70 x 90 x 0.3 DIN 988)     | 0   | H084589      |   |
| 13   | O-Ring (70 Duro Buna PRP-252)    | 1   | 68101-252    | * |
| 14   | Front Cover                      | 1   | H425287      |   |
| 15   | Shaft Seal (Buna-N)              | 1   | 5000-076-006 | * |
| 16   | Bearing Race                     | 1   | H403527      |   |
| 17   | Wire                             | 2   | H403549      |   |
| 19   | Cage Bearing (Set)               | 1   | H156501      |   |
| 20   | Ext.Snap Ring (60 x 2.0 DIN 471) | 1   | 71119-044    |   |

\* Contained in Buna Seal Kit 5460-635-006

▲ Select the correct Shim to set the Rotary Group preload

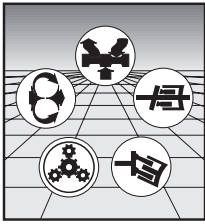
**Back to Index**



Assembly Number  
**5460-570-002**

**Back to Index**





# REXROTH CORPORATION

## MOBILE HYDRAULICS DIVISION

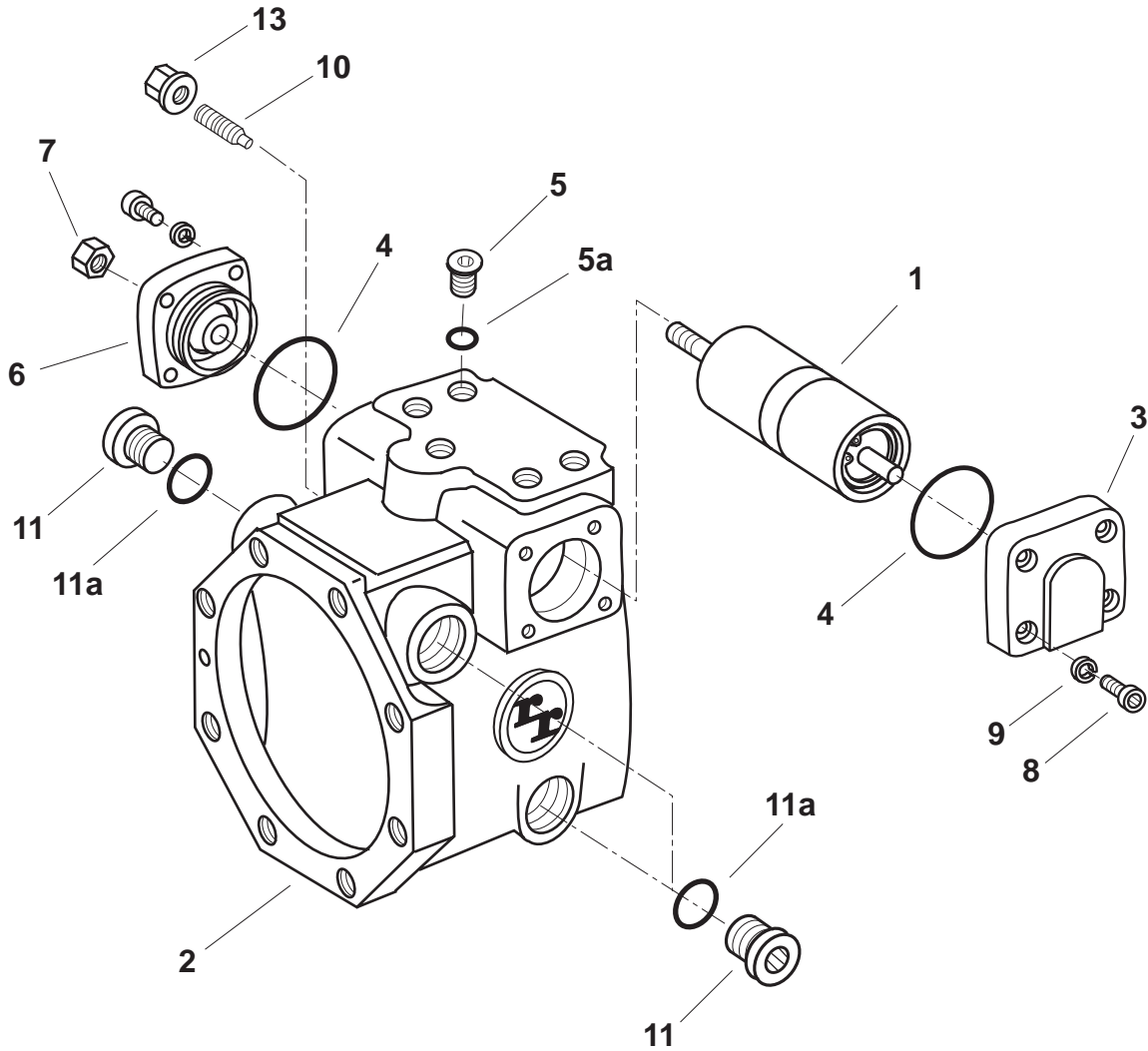
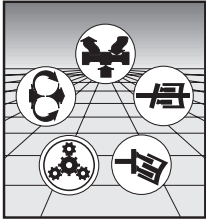
Assembly Number  
**5460-570-002**

| Item | Description                       | Qty | Part Number  |   |
|------|-----------------------------------|-----|--------------|---|
| 1    | Barrel A4V250                     | 1   | H415131      |   |
| 2    | Control Lens CCW                  | 1   | 5460-049-002 |   |
| 3    | Piston                            | 9   | H401845      |   |
| 4    | Retaining Plate                   | 1   | H431018      |   |
| 5    | Swash Plate Assembly              | 1   | H436053      |   |
| 6    | Shaft SAE                         | 1   | H405550      |   |
| 7    | Roller Bearing                    | 1   | H154512      |   |
| 8    | Retaining Ball                    | 1   | H426462      |   |
| 9    | Belleville Washers (set)          | 1   | H403548      |   |
| 10   | Preload Shim (0.6 mm)             | 1   | H401886      | ▲ |
| 10   | Preload Shim (1.0 mm)             | 0   | H401887      | ▲ |
| 10   | Preload Shim (0.8 mm)             | 0   | H408065      | ▲ |
| 10   | Preload Shim (1.2 mm)             | 0   | H408066      | ▲ |
| 11   | Int. Snap Ring (140 x 4 DIN 472)  | 1   | 71128-068    |   |
| 12   | Shim (70 x 90 x 1 DIN 988)        | 1   | H084590      |   |
| 12   | Shim (70 x 90 x 0.1 DIN 988)      | 2   | H084588      |   |
| 12   | Shim (70 x 90 x 0.3 DIN 988)      | 0   | H084589      |   |
| 13   | O-Ring (70 Duro Buna PRP-252)     | 1   | 68101-252    | * |
| 14   | Front Cover                       | 1   | H425287      |   |
| 15   | Shaft Seal (Buna-N)               | 1   | 5000-076-006 | * |
| 16   | Bearing Race                      | 1   | H403527      |   |
| 17   | Wire                              | 2   | H403549      |   |
| 19   | Cage Bearing (Set)                | 1   | H156501      |   |
| 20   | Ext. Snap Ring (60 x 2.0 DIN 471) | 1   | 71119-044    |   |

\* Contained in Buna Seal Kit 5460-635-006

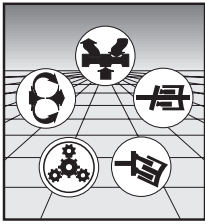
▲ Select the correct Shim to set the Rotary Group preload

**Back to Index**



Assembly Number  
**5460-566-007**

**Back to Index**



# REXROTH CORPORATION

## MOBILE HYDRAULICS DIVISION

Assembly Number  
**5460-566-007**

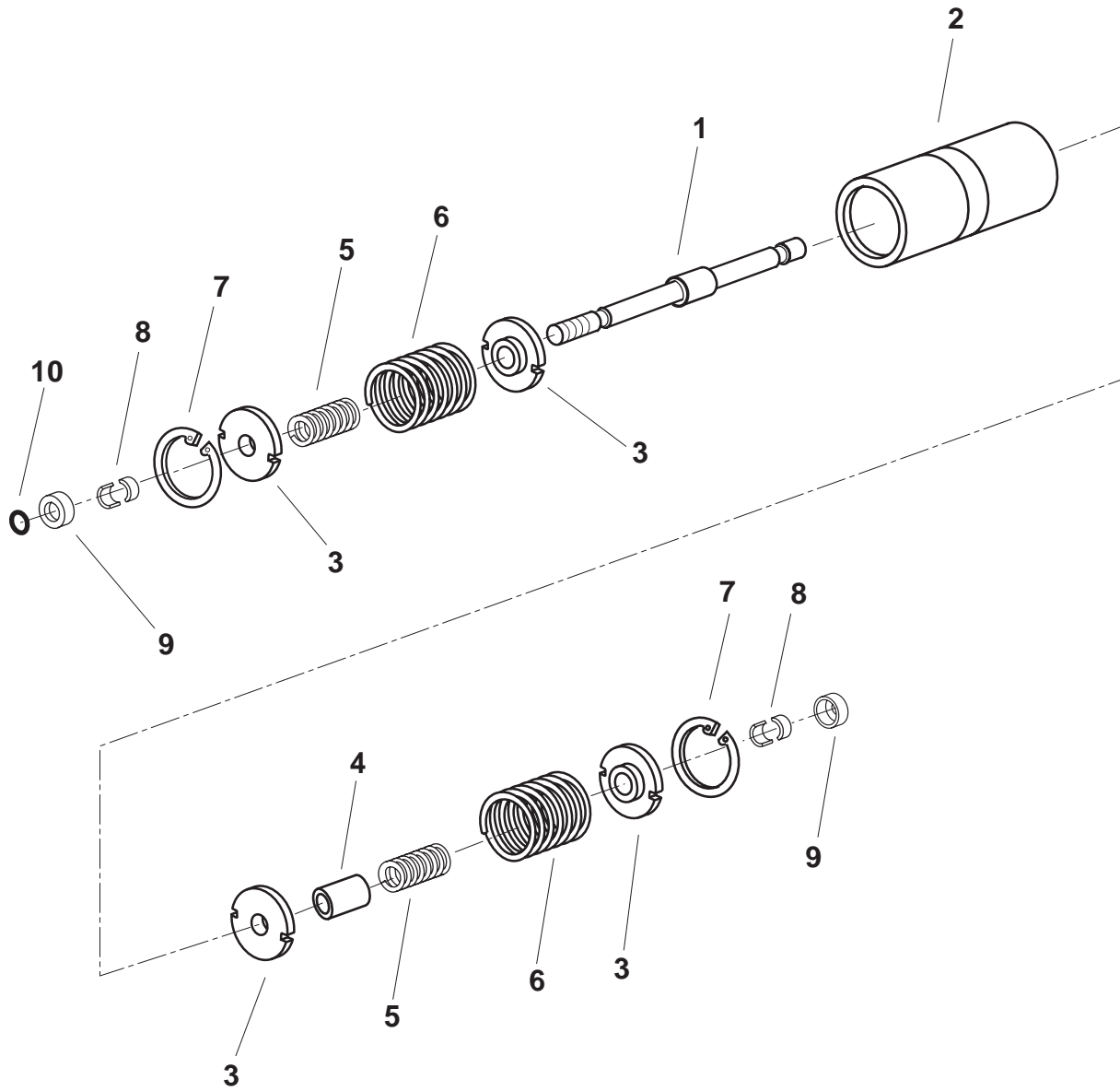
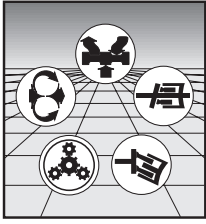
| Item | Description                        | Qty | Part Number  |    |
|------|------------------------------------|-----|--------------|----|
| 1    | Stroking Piston Asssembly          | 1   | 5460-574-003 |    |
| 2    | Housing                            | 1   | 5460-566-006 |    |
| 3    | Stroking Piston Cover              | 1   | H403560      |    |
| 4    | O-Ring (70 Duro Buna PRP-154)      | 2   | 68104-154    | *  |
| 5    | Plug (SAE 9/16-18)                 | 5   | 76107-006    |    |
| 5a   | O-Ring (3/8 Tube O-Ring PRP-906)   | 5   | 68105-906    | *▲ |
| 6    | Stroking Piston Cover              | 1   | H403559      |    |
| 7    | Hex Nut (M18 x 1.5 DIN 936-4)      | 1   | H083633      |    |
| 8    | Cap Screw (M10 x 40 DIN 912 -8.8)  | 8   | 60118-114    |    |
| 9    | Lock Washer (M10 DIN 7980)         | 8   | 61116-001    |    |
| 10   | Eccentric Screw                    | 1   | H420279      |    |
| 11   | Plug (SAE 1-5/8 -12)               | 3   | 76107-020    |    |
| 11a  | O-Ring (90 Duro Buna Tube PRP-920) | 3   | 68105-920    | *◐ |
| 13   | Seal Nut (M14 x 1.5)               | 1   | 65110-006    | *  |

\* Contained in Buna Seal Kit 5460-635-006

▲ Included with 76107-906

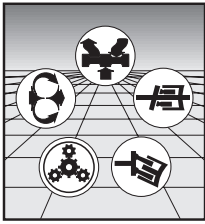
◐ Included with 76107-920

[Back to Index](#)



Assembly Number  
**5460-574-003**

**Back to Index**



# REXROTH CORPORATION

## MOBILE HYDRAULICS DIVISION

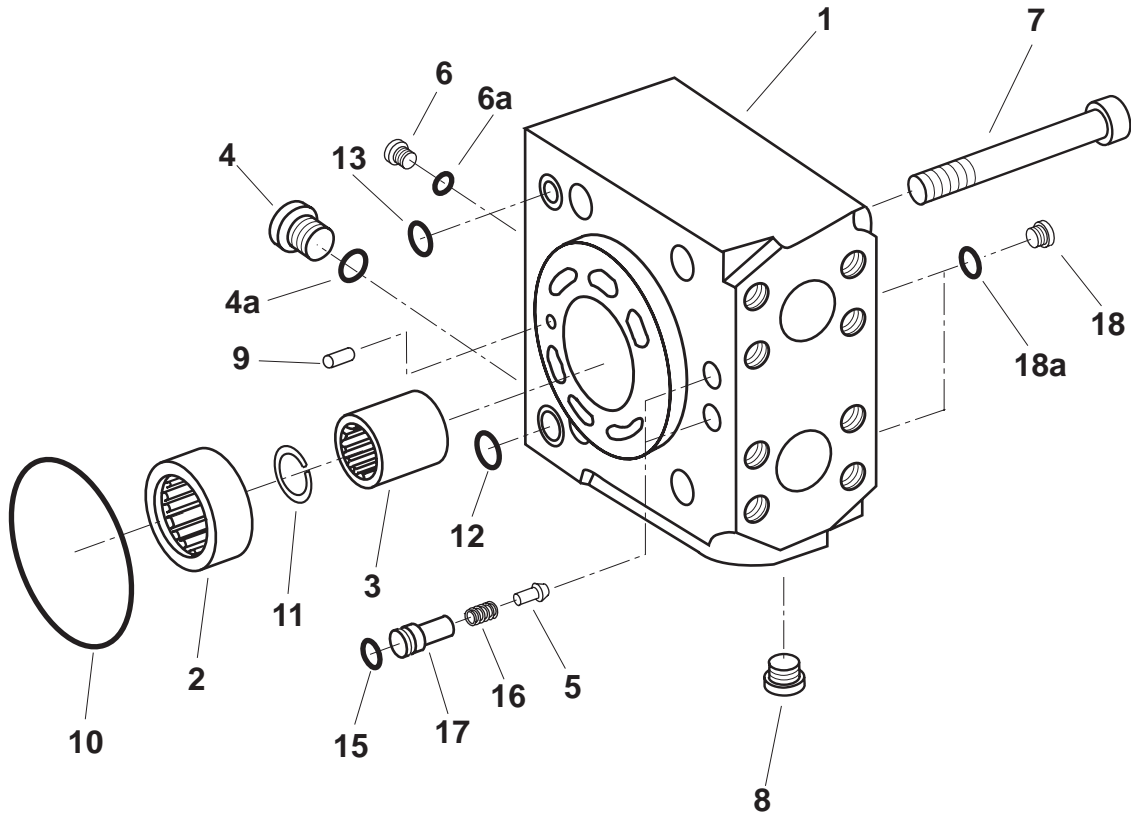
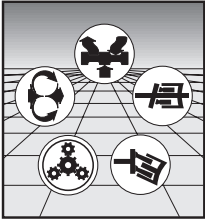
Assembly Number  
**5460-574-003**

| Item | Description                       | Qty | Part Number |   |
|------|-----------------------------------|-----|-------------|---|
| 1    | Rod                               | 1   | H403558     |   |
| 2    | Piston                            | 1   | H425109     |   |
| 3    | Spring Collar with Bushing        | 4   | H403568     |   |
| 4    | Spacer Bushing                    | 1   | H403569     |   |
| 4    | Spacer Bushing                    | 0   | H403570     |   |
| 4    | Spacer Bushing                    | 0   | H403571     |   |
| 5    | Spring                            | 2   | H403573     |   |
| 6    | Spring                            | 2   | H418168     |   |
| 7    | Retaining Ring (75 x 2.5 DIN 472) | 2   | 71128-055   |   |
| 8    | Keeper (Set .226")                | 2   | H403561     | X |
| 8    | Keeper (Set .228")                | 0   | H403562     | X |
| 8    | Keeper (Set .230")                | 0   | H403563     | X |
| 8    | Keeper (Set .232")                | 0   | H403564     | X |
| 8    | Keeper (Set .234")                | 0   | H403565     | X |
| 8    | Keeper (Set .236")                | 0   | H403566     | X |
| 9    | Retainer Ring                     | 2   | H403567     |   |
| 10   | O-Ring (90 Duro Buna PRP-113)     | 1   | 68104-113   | * |

\* Contained in Buna Seal Kit 5460-635-006

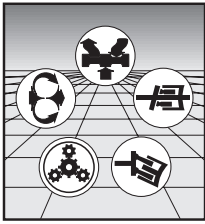
X Choose the Correct Keeper to set Retaining Plate Position

**Back to Index**



Assembly Number  
**5460-430-007**

**Back to Index**



# REXROTH CORPORATION

## MOBILE HYDRAULICS DIVISION

Assembly Number  
**5460-430-007**

| Item | Description                        | Qty | Part Number  |    |
|------|------------------------------------|-----|--------------|----|
| 1    | Port Block Housing                 | 1   | 5460-430-006 |    |
| 2    | Rear Shaft Bearing                 | 1   | H156114      |    |
| 3    | Charge Pump Coupling               | 1   | H412393      |    |
| 4    | Plug (SAE 1 5/16 -12 UNF)          | 1   | 76107-016    |    |
| 4a   | O-Ring (90 Duro Buna Tube PRP-916) | 1   | 68105-916    | *■ |
| 5    | P.O.R. Check Valve Poppet          | 2   | H154215      |    |
| 6    | Plug (SAE 7/16-20)                 | 1   | 76107-004    |    |
| 6a   | O-Ring (90 Duro Buna Tube PRP-904) | 1   | 68105-904    | *□ |
| 7    | Cap Screw (M24 x 130 DIN 912-8.8)  | 4   | 60118-291    |    |
| 8    | Plug (M12 x 1.5 DIN 3852)          | 1   | 76116-002    |    |
| 9    | Dowell Pin (M5 x 12 DIN-6325)      | 1   | 69116-006    |    |
| 10   | O-Ring (70 Duro Buna PRP-259)      | 1   | 68101-259    | *  |
| 11   | Ext. Retaining Ring (DIN-7993)     | 1   | 71129-016    |    |
| 12   | O-Ring (70 Duro PRP-024)           | 1   | 68101-024    | *  |
| 13   | O-Ring (70 Duro PRP-018)           | 1   | 68101-018    | *  |
| 14   | O-Ring (90 Duro Buna Tube PRP-904) | 3   | 68105-904    | *  |
| 15   | O-Ring (70 Duro Buna PRP-108)      | 2   | 68101-108    | *  |
| 16   | Spring                             | 2   | H002466      |    |
| 17   | Poppet Guide                       | 2   | H403536      |    |
| 18   | Plug (SAE 9/16-18)                 | 2   | 76107-006    |    |
| 18a  | O-Ring (90 Duro Buna Tube PRP-906) | 2   | 68105-906    | *▲ |

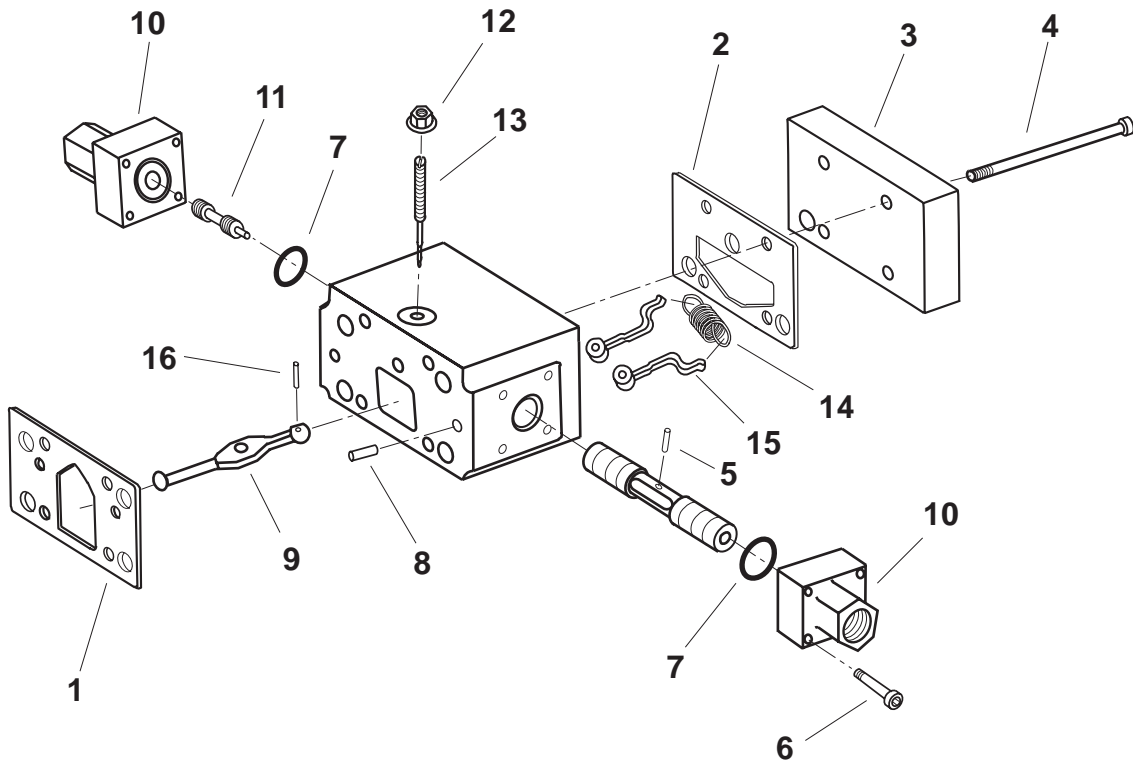
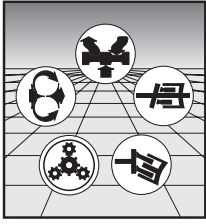
\* Contained in Seal Kit 5460-635-006

■ Included with 76107-916

□ Included with 76107-904

▲ Included with 76107-906

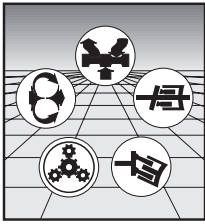
[Back to Index](#)



Assembly Number  
**5461-552-001**

[Back to Index](#)





# REXROTH CORPORATION

## MOBILE HYDRAULICS DIVISION

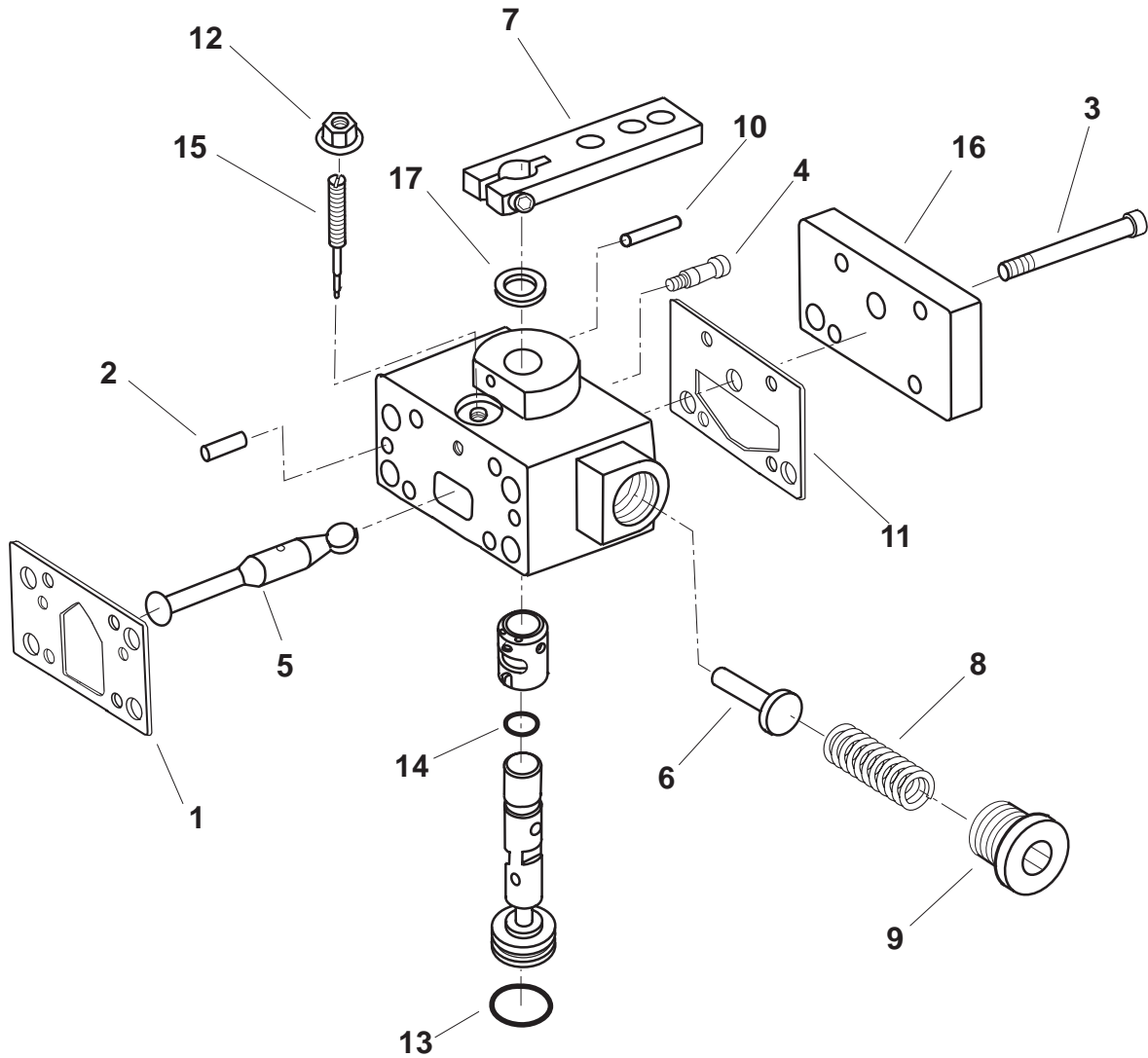
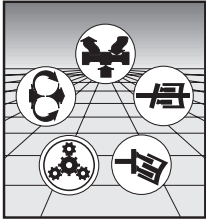
Assembly Number  
**5461-552-001**

| Item | Description                      | Qty | Part Number |   |
|------|----------------------------------|-----|-------------|---|
| 1    | Control Module Gasket            | 1   | H419242     | * |
| 2    | Control Module Gasket            | 1   | H419279     | * |
| 3    | Rear Control Cover               | 1   | H417780     | ❖ |
| 4    | Cap Screw (M8 x 110 DIN 912-8.8) | 4   | 60118-098   | ❖ |
| 5    | Dowel Pin (M4 x 14 DIN 6325)     | 1   | 69116-010   |   |
| 6    | Cap Screw (M6 x 16 DIN 912-8.8)  | 8   | 60118-056   |   |
| 7    | O-Ring (90 Duro Buna PRP-018)    | 2   | 68104-119   | * |
| 8    | Dowell Pin (8 x 18 mm DIN 6325)  | 2   | 69116-012   |   |
| 9    | Feed Back Lever                  | 1   | H403584     |   |
| 10   | Cover                            | 2   | H417551     |   |
| 11   | Piston                           | 2   | H408819     |   |
| 12   | Seal Nut (M8)                    | 1   | 65110-004   | * |
| 13   | Eccentric                        | 1   | H408818     |   |
| 14   | Feedback Spring                  | 1   | H439290     |   |
| 15   | Lever                            | 2   | H415653     |   |
| 16   | Pin (4 x 19.8 mm DIN 5402)       | 1   | H153336     |   |

\* Contained in Buna Seal Kit 5460-635-006

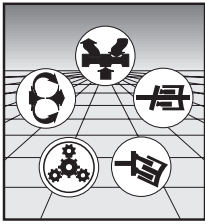
❖ These parts are not used with POR. Use bolts listed with POR Assembly.

**Back to Index**



Assembly Number  
**5462-552-001**

**Back to Index**



# REXROTH CORPORATION

## MOBILE HYDRAULICS DIVISION

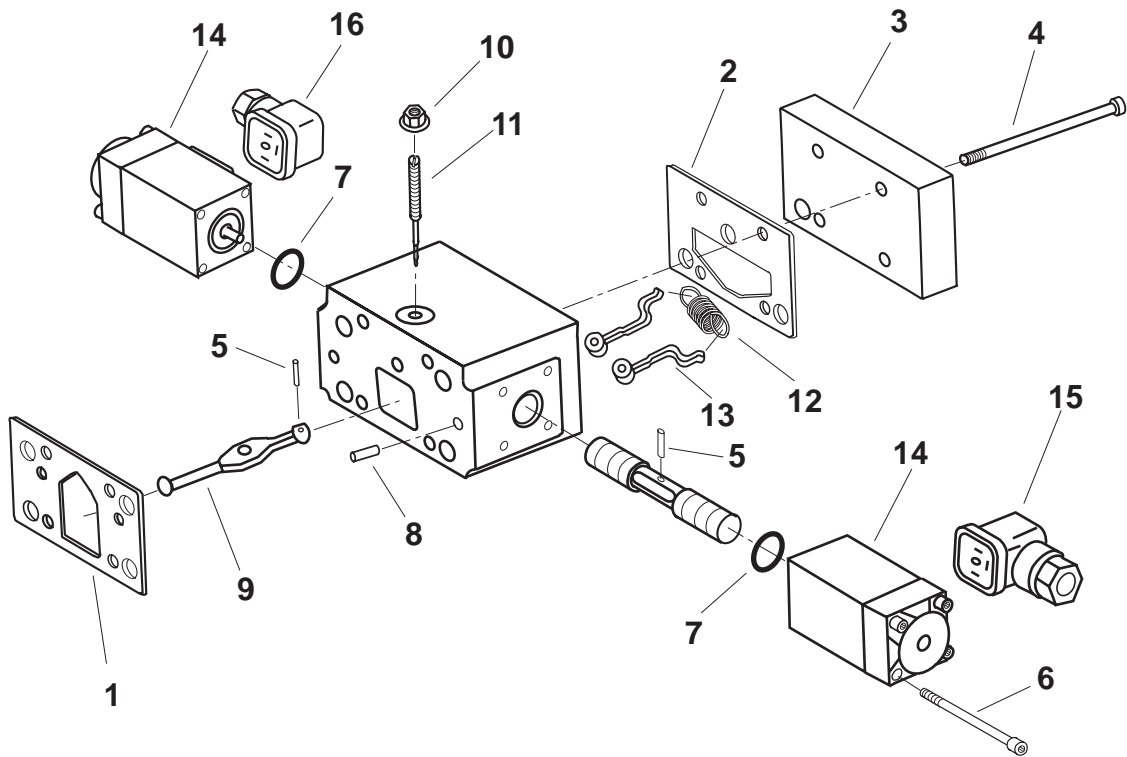
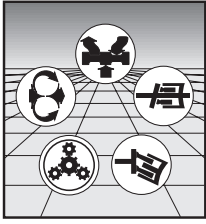
Assembly Number  
**5462-552-001**

| Item | Description                      | Qty | Part Number |   |
|------|----------------------------------|-----|-------------|---|
| 1    | Control Module Gasket            | 1   | H419242     | * |
| 2    | Dowell Pin (8 x 18 mm DIN 6325)  | 2   | 69116-011   |   |
| 3    | Cap Screw (M8 x 100 DIN 912-8.8) | 4   | 60118-097   | ❖ |
| 4    | Pin                              | 1   | H425169     |   |
| 5    | Feed Back Lever                  | 1   | H403597     |   |
| 6    | Push Pin                         | 2   | H403598     |   |
| 7    | Lever                            | 1   | H400523     |   |
| 8    | Spring                           | 2   | H419819     |   |
| 9    | Plug (M20 x 1.5)                 | 2   | 76116-011   |   |
| 10   | Dowell Pin (4 x 20 mm DIN 6325)  | 1   | 69116-012   |   |
| 11   | Control Module Gasket            | 1   | H419279     | * |
| 12   | Seal Nut (M8)                    | 1   | 65110-004   | * |
| 13   | O-Ring (70 Duro Buna PRP-121)    | 1   | 68101-121   | * |
| 14   | O-Ring (70 Duro Buna PRP-013)    | 1   | 68101-013   | * |
| 15   | Eccentric                        | 1   | H408818     |   |
| 16   | Rear Control Cover               | 1   | H417780     |   |
| 17   | Shim (14 x 20 x 1 DIN 988)       | 1   | H153380     |   |

\* Contained in Buna Seal Kit 5460-635-006

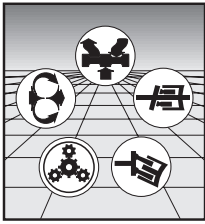
❖ These bolts are not used with POR. Use bolts listed with POR Assembly.

**Back to Index**



Assembly Number  
**5463-552-001**

**Back to Index**



# REXROTH CORPORATION

## MOBILE HYDRAULICS DIVISION

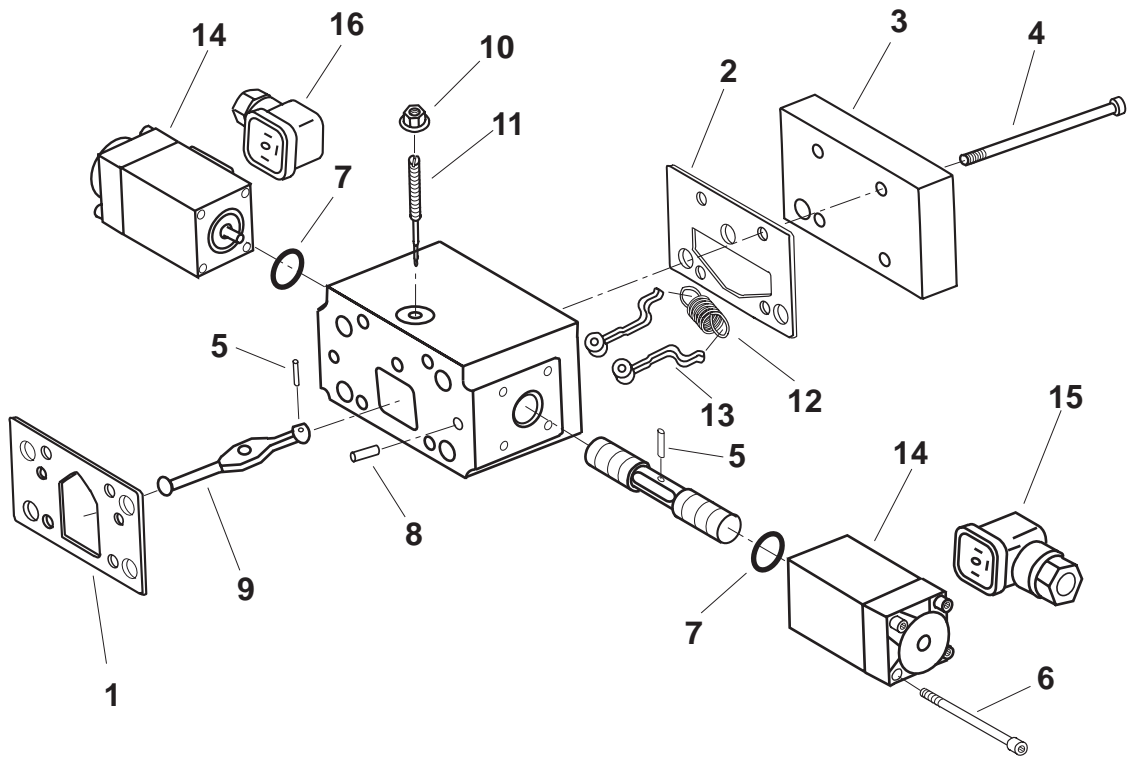
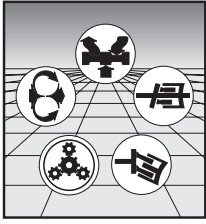
Assembly Number  
**5463-552-001**

| Item | Description                     | Qty | Part Number  |   |
|------|---------------------------------|-----|--------------|---|
| 1    | Control Module Gasket           | 1   | H419242      | * |
| 2    | Control Module Gasket           | 1   | H419279      | * |
| 3    | Rear Control Cover              | 1   | H417780      |   |
| 4    | Cap Screw (M6 x 90 DIN 912-8.8) | 4   | 60118-098    | ◆ |
| 5    | Pin                             | 1   | H153336      |   |
| 6    | Cap Screw (M4 x 70 DIN 912-8.8) | 8   | 60118-341    |   |
| 7    | O-Ring (90 Duro Buna PRP-119)   | 2   | 68104-119    | * |
| 8    | Dowell Pin (8 x 18 mm DIN 6325) | 2   | 69116-011    |   |
| 9    | Feed Back Lever                 | 1   | H403584      |   |
| 10   | Seal Nut (M8)                   | 1   | 65110-004    | * |
| 11   | Eccentric                       | 1   | H408818      |   |
| 12   | Feedback Spring                 | 1   | H415287      |   |
| 13   | Lever                           | 2   | H415653      |   |
| 14   | Pin (4 x 14 mm DIN 6325)        | 1   | 69116-010    |   |
| 15   | Proportional Solenoid (24 Volt) | 2   | 5463-580-001 |   |
| 16   | Hershman Connector (Gray)       | 1   | 5400-085-001 |   |
| 17   | Hershman Connector (Black)      | 1   | 5400-085-002 |   |

\* Contained in Buna Seal Kit 5460-635-006

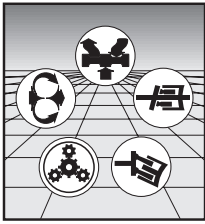
◆ These bolts are not used with POR. Use bolts listed with POR Assembly.

**Back to Index**



Assembly Number  
**5463-552-002**

**Back to Index**



# REXROTH CORPORATION

## MOBILE HYDRAULICS DIVISION

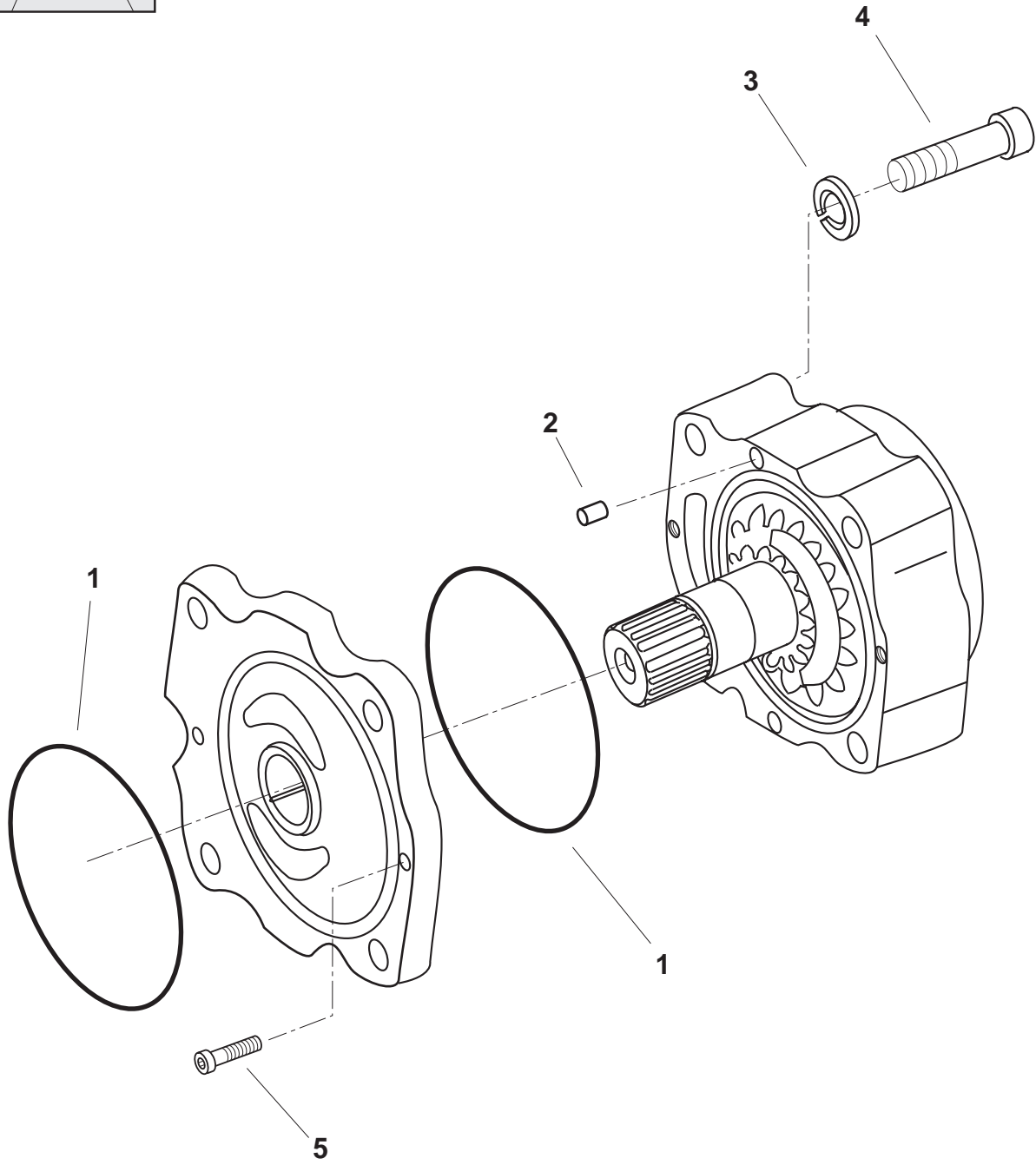
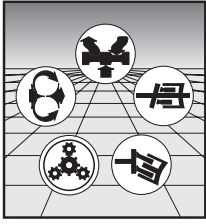
Assembly Number  
**5463-552-002**

| Item | Description                     | Qty | Part Number  |   |
|------|---------------------------------|-----|--------------|---|
| 1    | Control Module Gasket           | 1   | H419242      | * |
| 2    | Control Module Gasket           | 1   | H419279      | * |
| 3    | Rear Control Cover              | 1   | H417780      |   |
| 4    | Cap Screw (M6 x 90 DIN 912-8.8) | 4   | 60118-098    | ❖ |
| 5    | Pin                             | 1   | H153336      |   |
| 6    | Cap Screw (M4 x 70 DIN 912-8.8) | 8   | 60118-341    |   |
| 7    | O-Ring (90 Duro Buna PRP-119)   | 2   | 68104-119    | * |
| 8    | Dowell Pin (8 x 18 mm DIN 6325) | 2   | 69116-011    |   |
| 9    | Feed Back Lever                 | 1   | H403584      |   |
| 10   | Seal Nut (M8)                   | 1   | 65110-004    | * |
| 11   | Eccentric                       | 1   | H408818      |   |
| 12   | Feedback Spring                 | 1   | H415287      |   |
| 13   | Lever                           | 2   | H415653      |   |
| 14   | Pin (4 x 14 mm DIN 6325)        | 1   | 69116-010    |   |
| 15   | Proportional Solenoid (12 Volt) | 2   | 5463-580-002 |   |
| 16   | Hershman Connector (Gray)       | 1   | 5400-085-001 |   |
| 17   | Hershman Connector (Black)      | 1   | 5400-085-002 |   |

\* Contained in Buna Seal Kit 5460-635-006

❖ These bolts are not used with POR. Use bolts listed with POR ass'y.

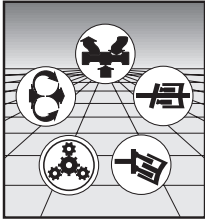
**Back to Index**



Assembly Number  
**5460-430-001**

**Back to Index**





# REXROTH CORPORATION

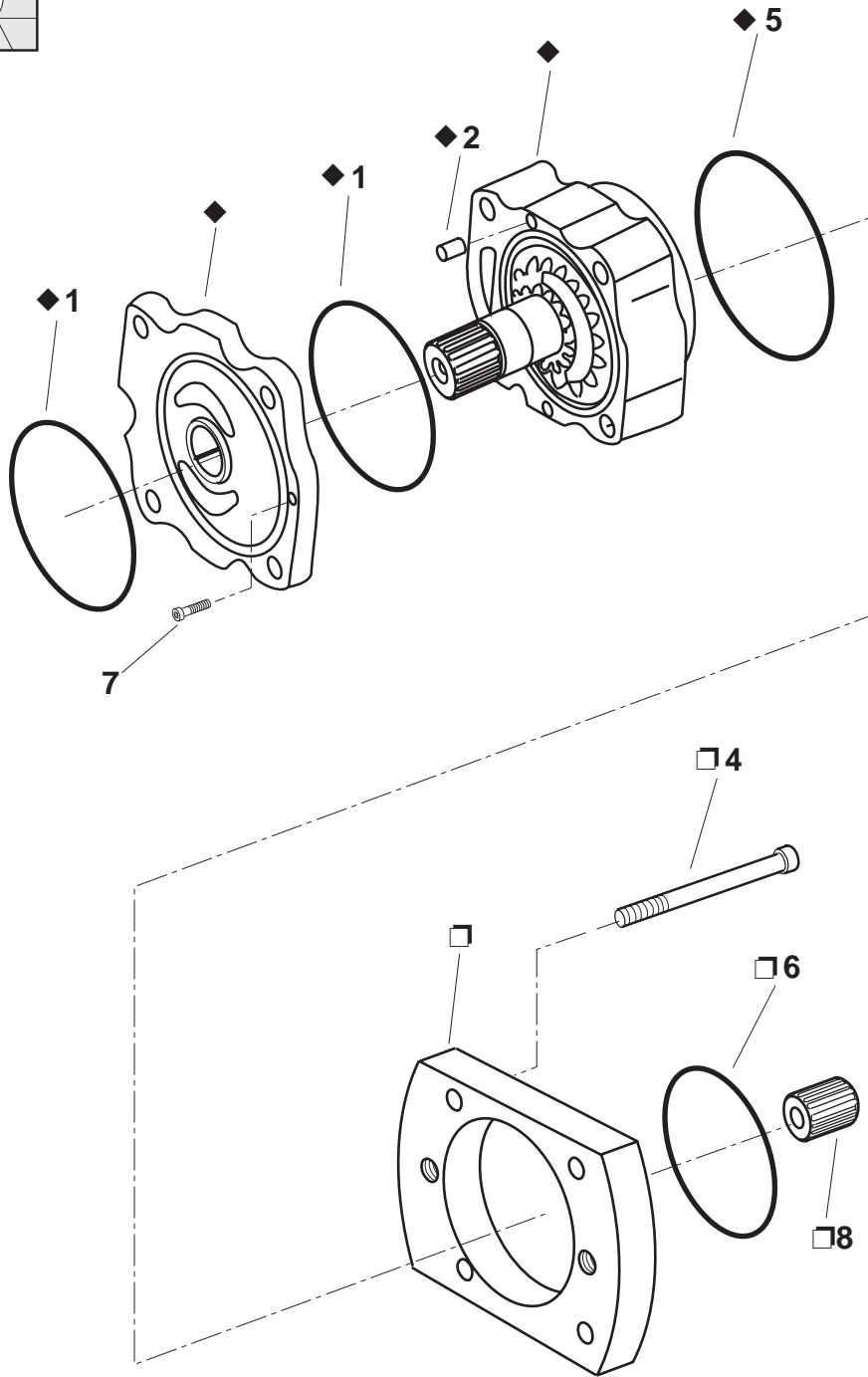
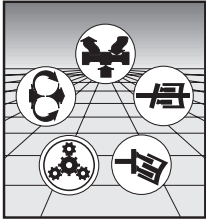
## MOBILE HYDRAULICS DIVISION

Assembly Number  
**5460-430-001**

| Item | Description                       | Qty | Part Number |   |
|------|-----------------------------------|-----|-------------|---|
| 1    | O-Ring (90 Duro Buna PRP-155)     | 2   | 68104-155   | * |
| 2    | Dowel Pin (M6 x 12 DIN 7)         | 1   | 69115-004   |   |
| 3    | Lock Washer (M12 DIN 7980)        | 4   | 61116-003   |   |
| 4    | Cap Screw (M12 x 70 DIN 912- 8.8) | 4   | 60118-147   |   |
| 5    | Cap Screw (M5 x 20 DIN 912-8.8)   | 2   | 60118-037   |   |

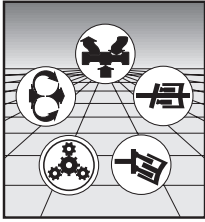
\* Contained in Buna Seal Kit 5460-635-006

[Back to Index](#)



Assembly Number  
**5460-635-003**

**Back to Index**



# REXROTH CORPORATION

## MOBILE HYDRAULICS DIVISION

Assembly Number  
**5460-635-003**

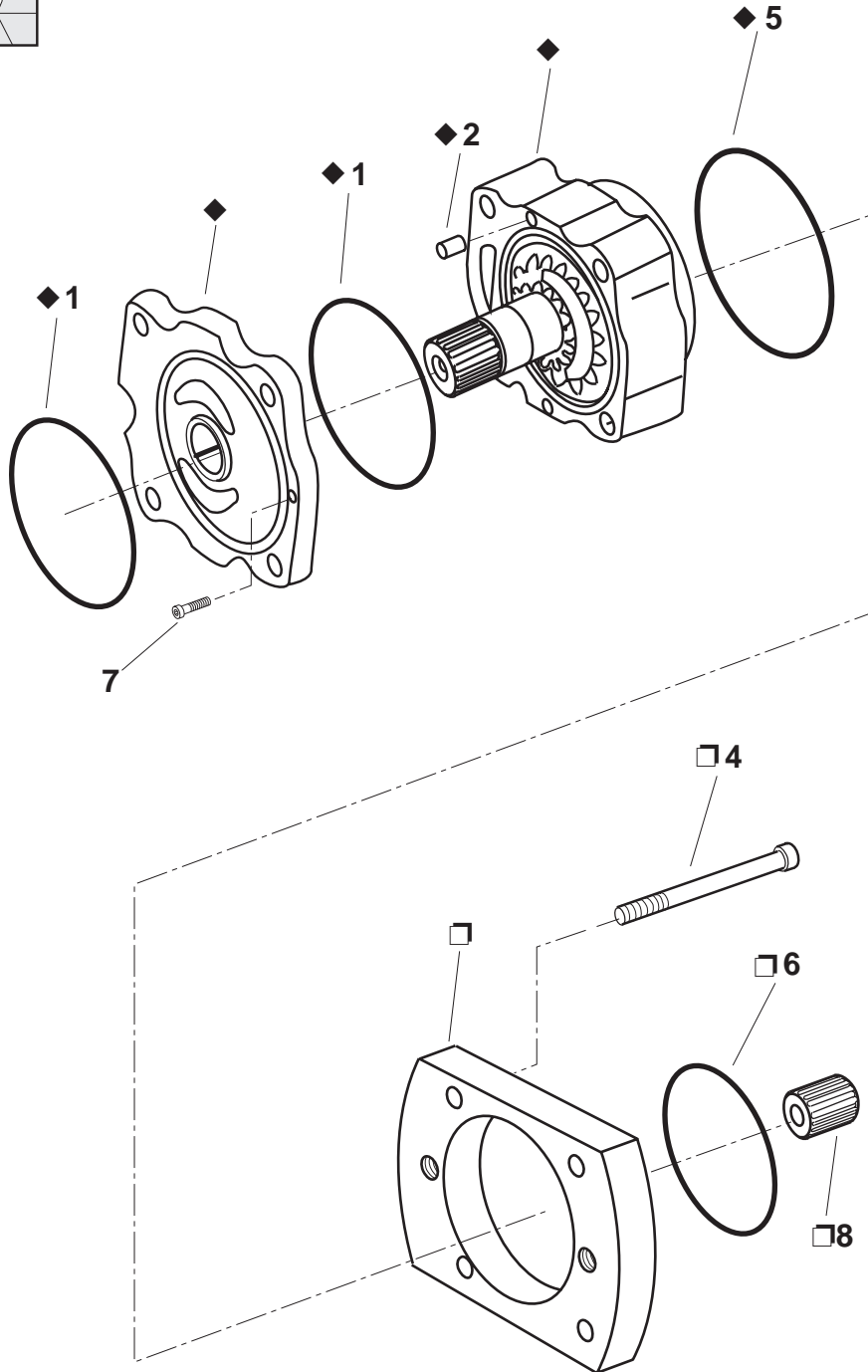
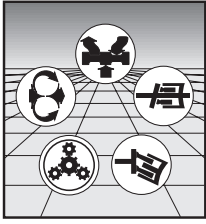
| Item | Description                      | Qty | Part Number |   |
|------|----------------------------------|-----|-------------|---|
| 1    | O-Ring (90 Duro Buna PRP-155)    | 2   | 68104-155   | * |
| 2    | Dowell Pin (6 x 10 mm DIN 7)     | 2   | 69115-003   |   |
| 3    | Retaining Ring                   | 1   | 71129-005   |   |
| 4    | Cap Screw (M12 x 90 DIN 912-8.8) | 4   | 60118-151   |   |
| 5    | O-Ring (70 Duro Buna PRP-155)    | 1   | 68101-155   |   |
| 6    | O-Ring (70 Duro Buna PRP-042)    | 1   | 68101-042   | * |
| 7    | Screw (M5 x 20 DIN 912-8.8)      | 2   | 60118-037   |   |
| 8    | Coupling Splined (SAE "A")       | 1   | H408219     |   |

\* Contained in Buna Seal Kit 5460-635-006

◆ These Parts included in 5460-430-002

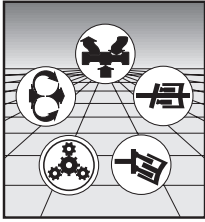
□ These Parts included in 5460-635-010

**Back to Index**



Assembly Number  
**5460-635-002**

**Back to Index**



# REXROTH CORPORATION

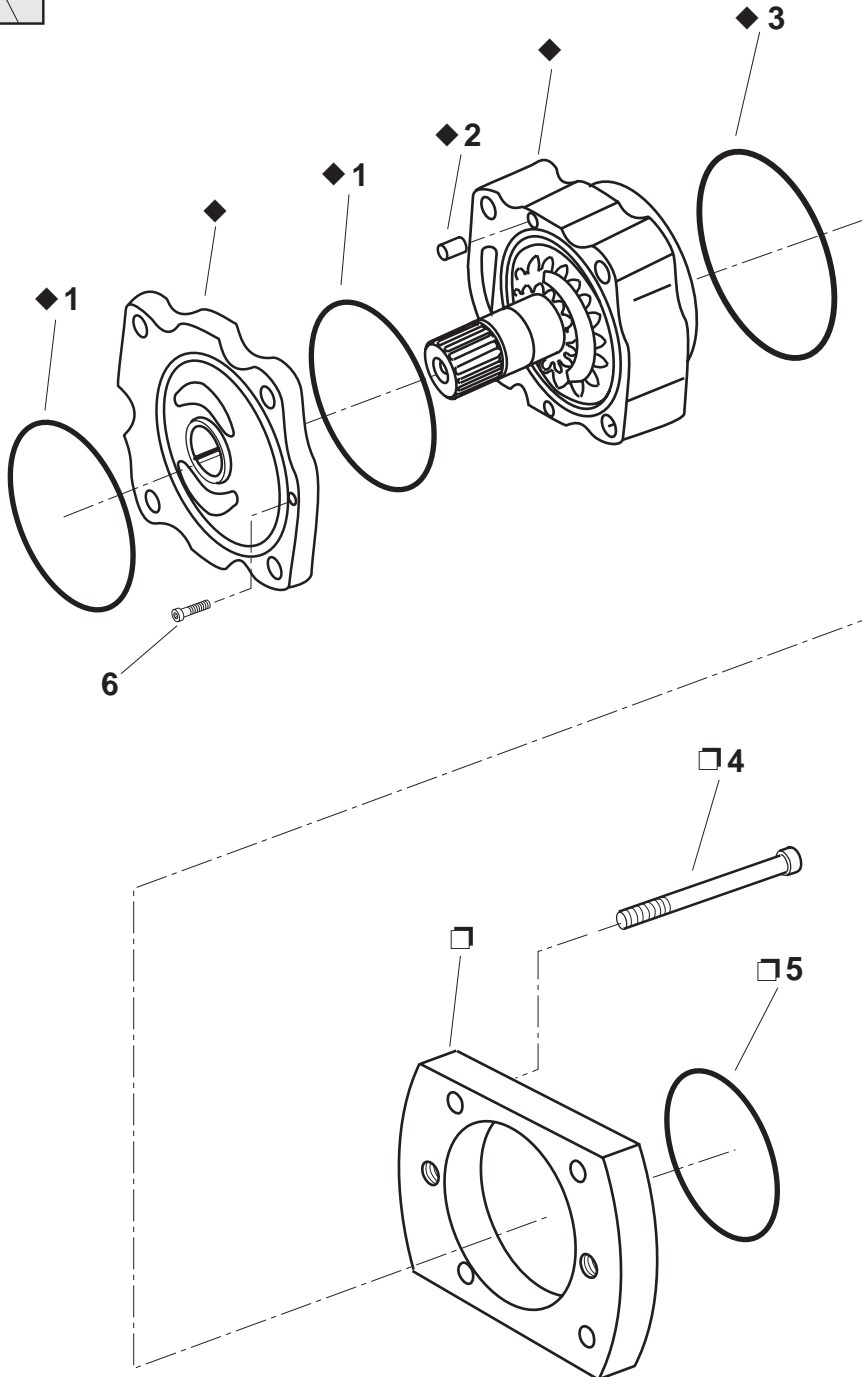
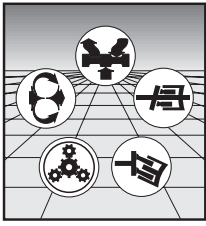
## MOBILE HYDRAULICS DIVISION

Assembly Number  
**5460-635-002**

| Item | Description                      | Qty | Part Number |   |
|------|----------------------------------|-----|-------------|---|
| 1    | O-Ring (90 Duro Buna PRP-155)    | 2   | 68104-155   | * |
| 2    | Dowell Pin (6 x 10 mm DIN 7)     | 2   | 69115-003   |   |
| 5    | O-Ring (70 Duro Buna PRP-045)    | 1   | 68101-045   | * |
| 4    | Cap Screw (M12 x 75 DIN 912-8.8) | 4   | 60118-148   |   |
| 6    | O-Ring (70 Duro Buna PRP-155)    | 1   | 68101-155   | * |
| 7    | Screw (M5 x 20 DIN-8.8)          | 2   | 60118-037   |   |
| 8    | Coupling Splined (SAE "B")       | 1   | H410931     |   |

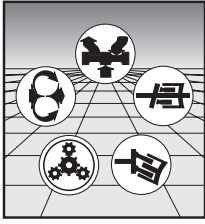
- \* Contained in Buna Seal Kit 5460-635-006
- ◆ These Parts included in 5460-430-002
- These Parts included in 5460-635-009

**Back to Index**



Assembly Number  
**5460-635-001**

**Back to Index**



# REXROTH CORPORATION

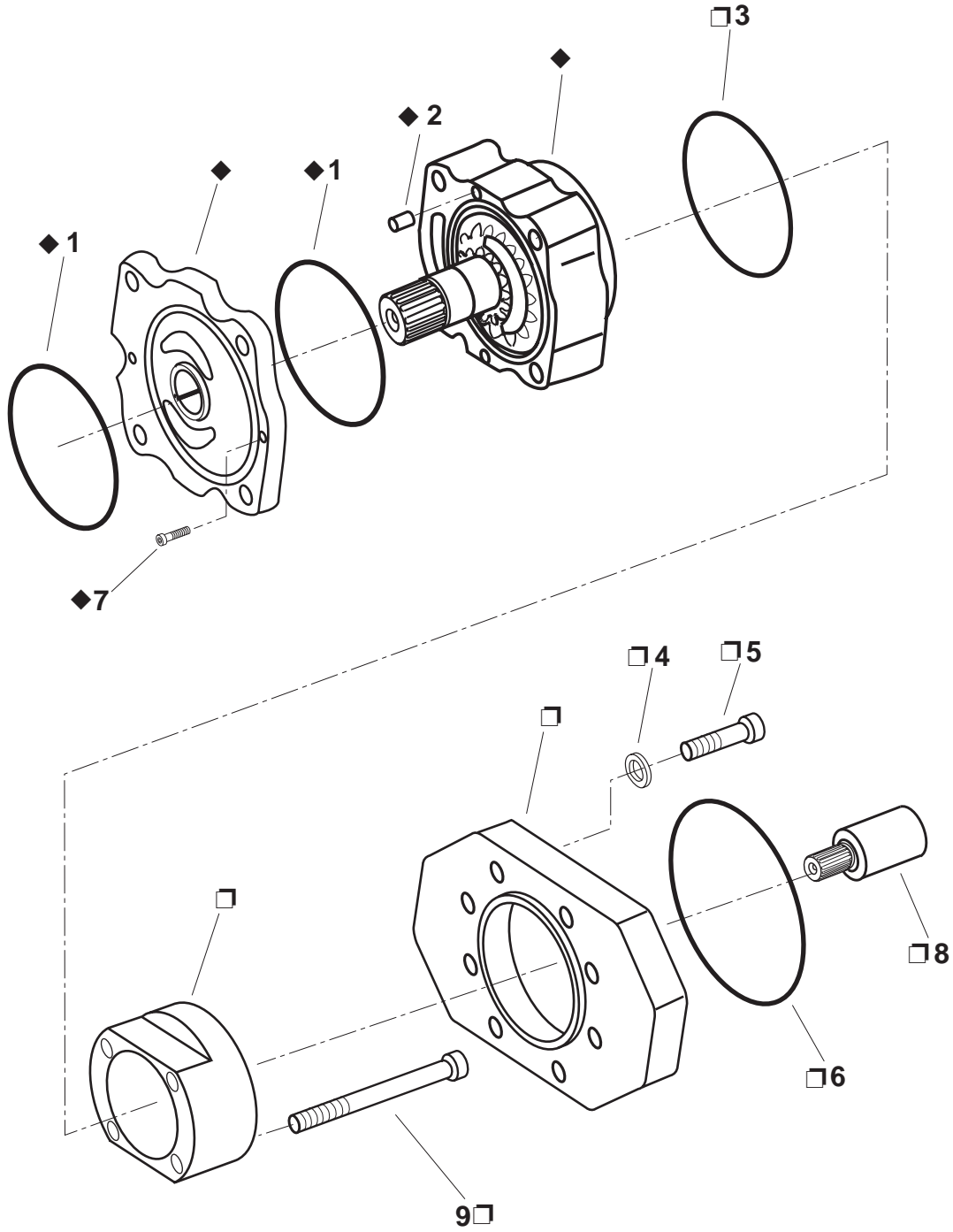
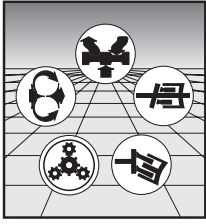
## MOBILE HYDRAULICS DIVISION

Assembly Number  
**5460-635-001**

| Item | Description                      | Qty | Part Number |   |
|------|----------------------------------|-----|-------------|---|
| 1    | O-Ring (90 Duro Buna PRP-155)    | 2   | 68104-155   | * |
| 2    | Dowell Pin (6 x 10 mm DIN 6325)  | 2   | 69115-003   |   |
| 3    | O-Ring (90 Duro Buna PRP-045)    | 1   | 68104-045   | * |
| 4    | Cap Screw (M12 x 75 DIN 912-8.8) | 4   | 60118-148   |   |
| 5    | O-Ring (70 Duro Buna PRP-045)    | 1   | 68101-045   | * |
| 6    | Screw (M5 x 20 DIN-8.8)          | 2   | 60118-037   |   |

- \* Contained in Buna Seal Kit 5460-635-006
- ◆ These Parts included in 5460-430-003
- These Parts included in 5460-635-011

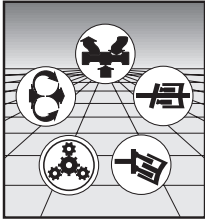
**Back to Index**



Assembly Number  
**5460-635-004**

**Back to Index**





# REXROTH CORPORATION

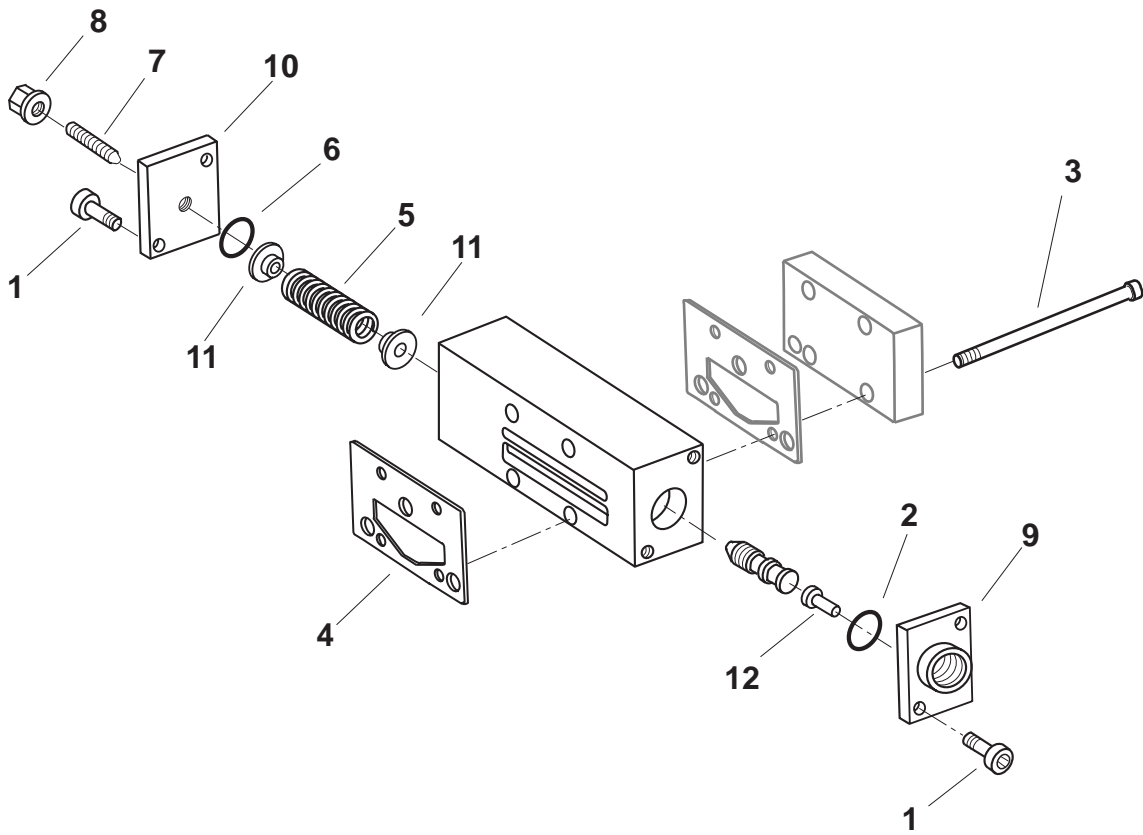
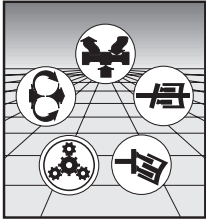
## MOBILE HYDRAULICS DIVISION

Assembly Number  
**5460-635-004**

| Item | Description                        | Qty | Part Number |   |
|------|------------------------------------|-----|-------------|---|
| 1    | O-Ring (90 Duro Buna PRP-155)      | 2   | 68104-155   | * |
| 2    | Dowell Pin (6 x 10 mm DIN 7)       | 2   | 69115-003   |   |
| 3    | O-Ring (70 Duro Buna PRP-155)      | 1   | 68101-155   | * |
| 4    | Lock Washer (M8 DIN 7890)          | 8   | 61116-003   |   |
| 5    | Cap Screw (M8 x 25 DIN 912-10.9)   | 8   | 60119-080   |   |
| 6    | O-Ring (70 Duro Buna PRP-159)      | 1   | 68101-159   | * |
| 7    | Cap Screw (M12 x 100 DIN 912-10.9) | 4   | 60119-148   |   |
| 8    | Coupling Splined (SAE "C")         | 1   | H417918     |   |
| 9    | Cap Screw (M5 x 20 DIN 912-8.8)    | 2   | 60118-037   |   |

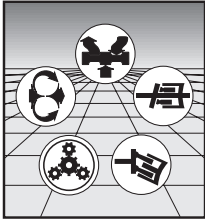
- \* Contained in Buna Seal Kit 5460-635-006
- ◆ These Parts included in 5460-430-002
- These Parts included in 5460-635-012

**Back to Index**



Assembly Number  
**5460-635-005**

**Back to Index**



# REXROTH CORPORATION

## MOBILE HYDRAULICS DIVISION

Assembly Number  
**5460-635-005**

| Item | Description                            | Qty | Part Number |   |
|------|--|-----|-------------|---|
| 1    | Cap Screw (M5 x 12 DIN 912-8.8)        | 4   | 60118-033   |   |
| 2    | O-Ring (70 Duro Buna PRP-017)          | 1   | 68101-017   | * |
| 3    | Cap Screw (M6 x 120 DIN 912-8.8)       | 4   | 60118-101   |   |
| 4    | Control Module Gasket                  | 1   | H419242     | * |
| 5    | Spring                                 | 1   | H420972     |   |
| 6    | O-Ring (70 Duro Buna PRP-016)          | 1   | 68101-016   | * |
| 7    | Adjusting Screw (M6 x 35 DIN 914-10.9) | 1   | 60136-047   |   |
| 8    | Seal Nut (M6)                          | 1   | 65110-003   | * |
| 9    | Cover                                  | 1   | H404572     |   |
| 10   | Cover                                  | 1   | H404507     |   |
| 11   | Spring Retainer                        | 2   | H420971     |   |
| 12   | Piston                                 | 1   | H420969     |   |

\* Contained in Buna Seal Kit 5460-635-006

[Back to Index](#)

## Variable Pump AA4V, Series 2

**Specifications, descriptions, and illustrative material shown herein were as accurate as know at the time this publication was printed. Rexroth reserves the right to discontinue models or options at any time or to change specifications, materials, or designs without notice and without incurring obligation.**

DISTRIBUTED BY: