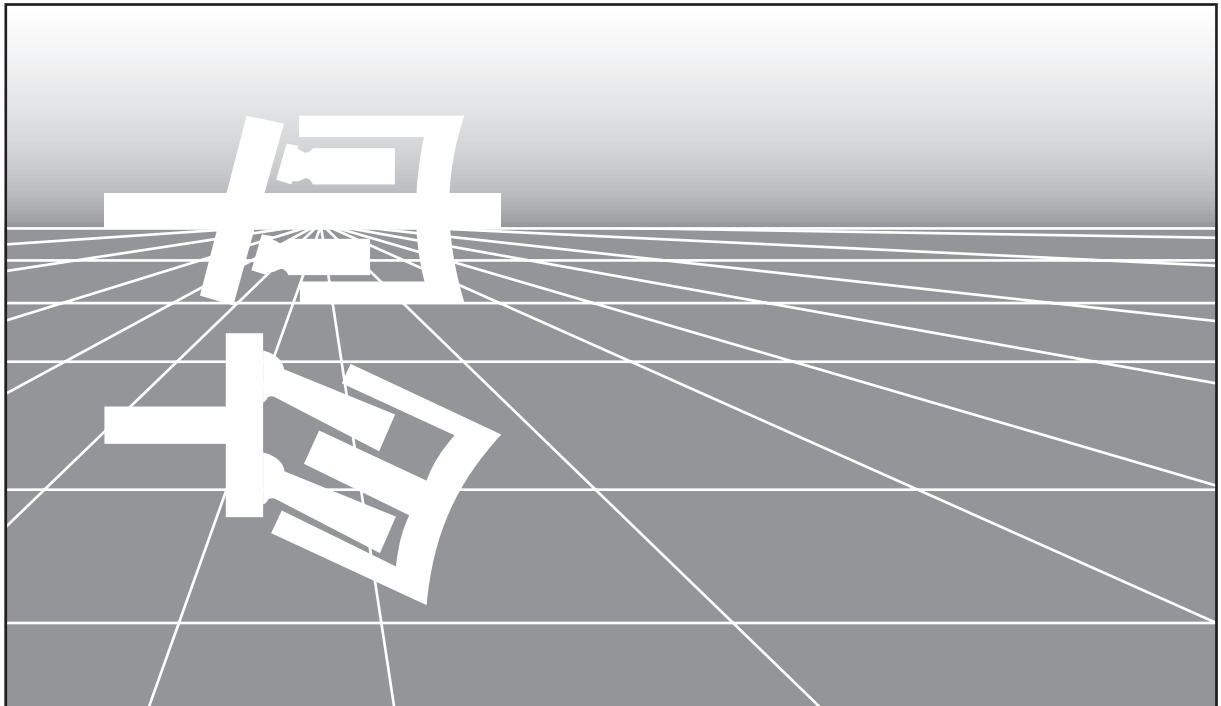


**Service Parts List**

**AA4V40**

Series 1



## Ordering of AA4V Parts

For Rexroth to supply the correct parts for your unit, please include all of the following information with your parts order.

TYPE CODE  
TYPE NUMBER  
SERIAL NUMBER  
PART NUMBER  
PART NAME

Due to modifications and improvements to our products, minor changes can occur to the parts, even though the type code may not necessarily reflect these changes. The type number and serial number will guarantee that the correct parts for your unit are supplied.

|                                    |               |                |
|------------------------------------|---------------|----------------|
| HYDROMATIK GMBH<br>ULM (DONAU)     |               |                |
| THE REXROTH CORP., WOOSTER, OHIO   |               |                |
| TYPE<br>AA4VG71HDD1/32R-PSF52F001D |               |                |
| NO<br>245.18.43.23                 |               |                |
| SERIAL NO.<br>1127809              | YEAR<br>10.95 | MINERAL<br>OIL |
| MADE IN W. GERMANY                 |               |                |
| ROTATION                           |               |                |

### ORDERING EXAMPLE

To order a replacement charge pump for an AA4V hydrostatic transmission pump having the above nameplate, the following information would be required.

|                 |                 |
|-----------------|-----------------|
| + Type Code     | AA4V90HD1R30101 |
| + Type Number   | 233.22.15.23    |
| + Serial Number | 1127809         |
| * Part Number   | 5440-430-001    |
| * Part Name     | Charge Pump     |

+ This information is taken from the nameplate on the pump.

\* This information is taken from the Service Parts List.

Rotary Groups.....Page 6-9

Housing.....10-11

Stroking Piston.....12-13

Port Block.....14-15

HD Control.....16-17

HW Controls.....18-21

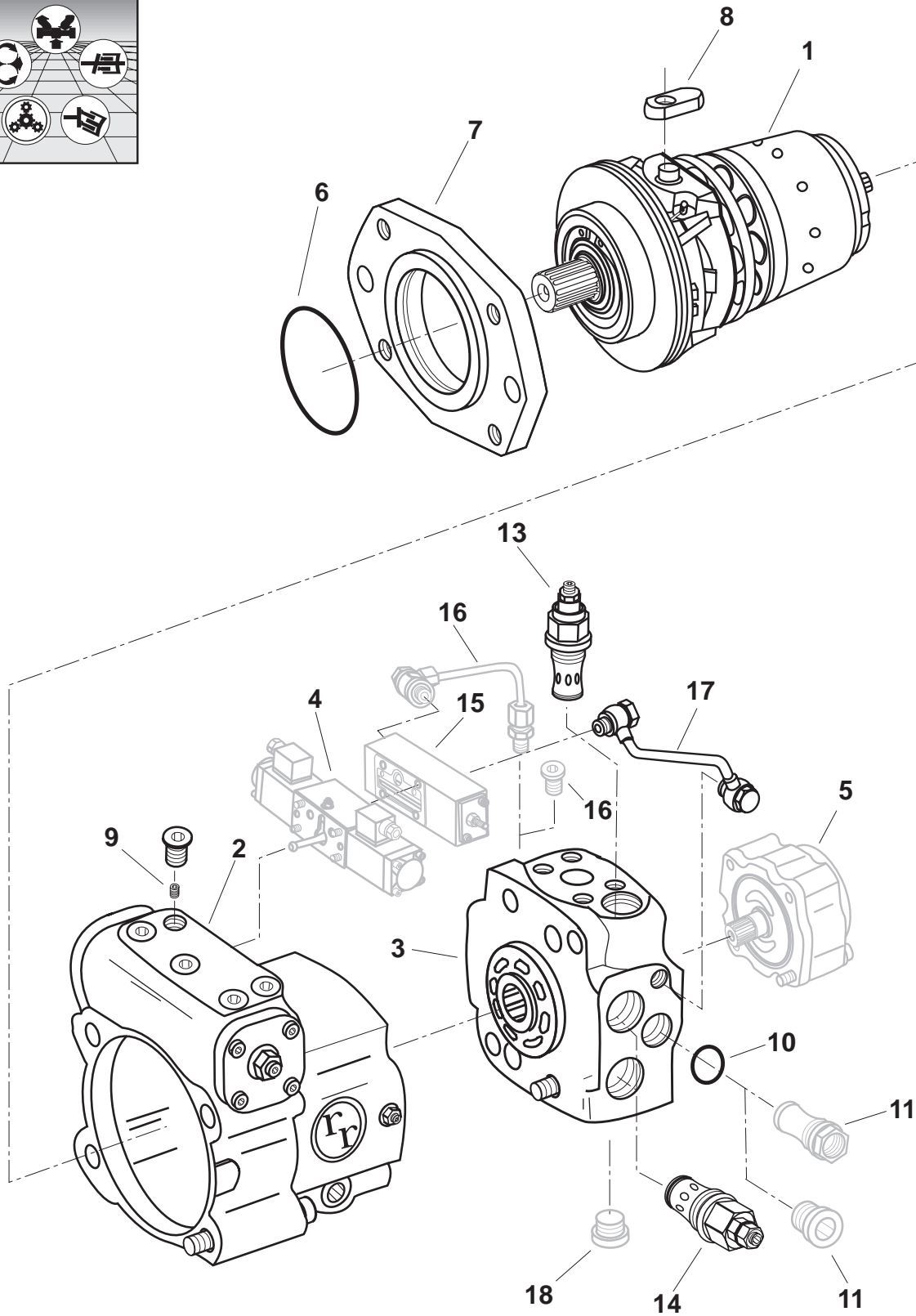
EL Controls.....22-25

Charge Pump.....26-27

Thru-Drives.....28-33

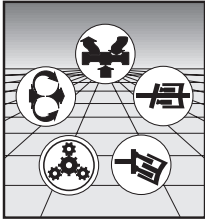
P.O.R.....34-35

**Back to Index**



Assembly Number  
**AA4V40**

**Back to Index**



# REXROTH CORPORATION

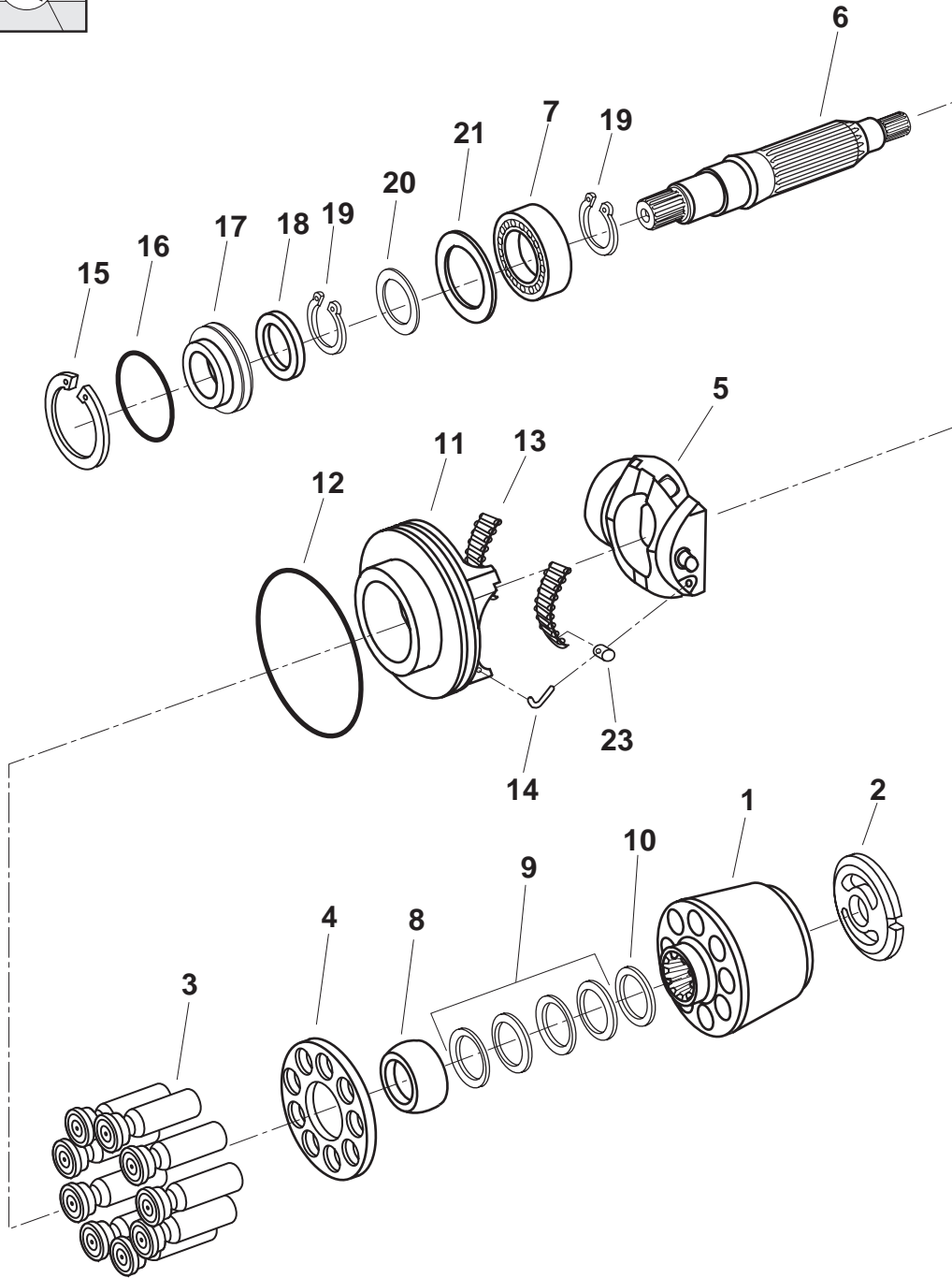
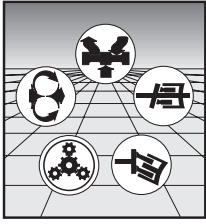
## MOBILE HYDRAULICS DIVISION

Assembly Number  
**AA4V40**

| Item | Description                              | Qty | Part Number  |   |
|------|--|-----|--------------|---|
| 1    | Rotary - Group Assembly CW               | 1   | 5410-570-001 |   |
| 1    | Rotary - Group Assembly CCW              | 1   | 5410-570-002 |   |
| 2    | Housing Assembly                         | 1   | 5410-566-002 |   |
| 3    | Port Block Assembly                      | 1   | 5410-430-009 |   |
| 4    | HD Control Assembly                      | 1   | 5411-552-001 |   |
| 4    | HW Control Assembly                      | 1   | 5412-552-001 |   |
| 4    | HW Control Assembly with Integral POR    | 1   | 5412-552-002 |   |
| 4    | EL Control Ass'y (24 Volts Proportional) | 1   | 5413-552-001 |   |
| 4    | EL Control Ass'y (12 Volts Proportional) | 1   | 5413-552-002 |   |
| 5    | Charge Pump                              | 1   | 5410-430-001 |   |
| 5    | Charge Pump "A" Thru Drive Assembly      | 1   | 5410-635-003 |   |
| 5    | Charge Pump "B" Thru Drive Assembly      | 1   | 5410-635-010 |   |
| 5    | Charge Pump "B-B" Thru Drive Assembly    | 1   | 5410-635-011 |   |
| 6    | O-Ring (70 Duro Buna PRP-234)            | 1   | 68101-234    | * |
| 7    | Front Flange                             | 1   | H401633      |   |
| 8    | Slide Block                              | 1   | H425992      |   |
| 9    | Stroking Time Orifice (0.8 mm)           | 2   | H156492      |   |
| 9    | Stroking Time Orifice (1.0 mm)           | 2   | H156493      |   |
| 9    | Stroking Time Orifice (1.2 mm)           | 2   | H156494      |   |
| 9    | Stroking Time Orifice (1.4 mm)           | 2   | H156495      |   |
| 10   | O-Ring (90 Duro Buna PRP-119)            | 1   | 68104-119    | * |
| 11   | Charge Filter Adapter Sleeve             | 1   | 5400-083-001 |   |
| 11   | Plug (M26 x 1.5)                         | 1   | 76118-001    |   |
| 13   | Charge Pump R/V Assembly                 | 1   | 5400-566-004 |   |
| 14   | Main R/V Assembly (2600-6000 psi range)  | 2   | 5400-566-011 |   |
| 14   | Main R/V Assembly (1160-4640 psi range)  | 2   | 5400-566-013 |   |
| 15   | POR Assembly                             | 1   | 5400-635-005 |   |
| 16   | POR Pipe                                 | 1   | 5410-635-005 |   |
| 16   | Plug (M12 x 1.5)                         | 1   | 76116-001    |   |
| 17   | Control Pipe HD & EL without POR         | 1   | 5410-635-001 |   |
| 17   | Control Pipe HD, HW & EL with POR        | 1   | 5410-635-004 |   |
| 17   | Control Pipe HW without POR              | 1   | 5412-635-001 |   |
| 18   | Plug (7/8-14)                            | 1   | 76107-014    |   |

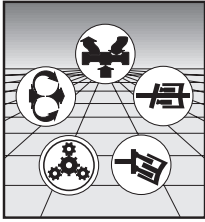
\* Contained in Buna Seal Kit 5410-635-002

[Back to Index](#)



Assembly Number  
**5410-570-001**

**Back to Index**



# REXROTH CORPORATION

## MOBILE HYDRAULICS DIVISION

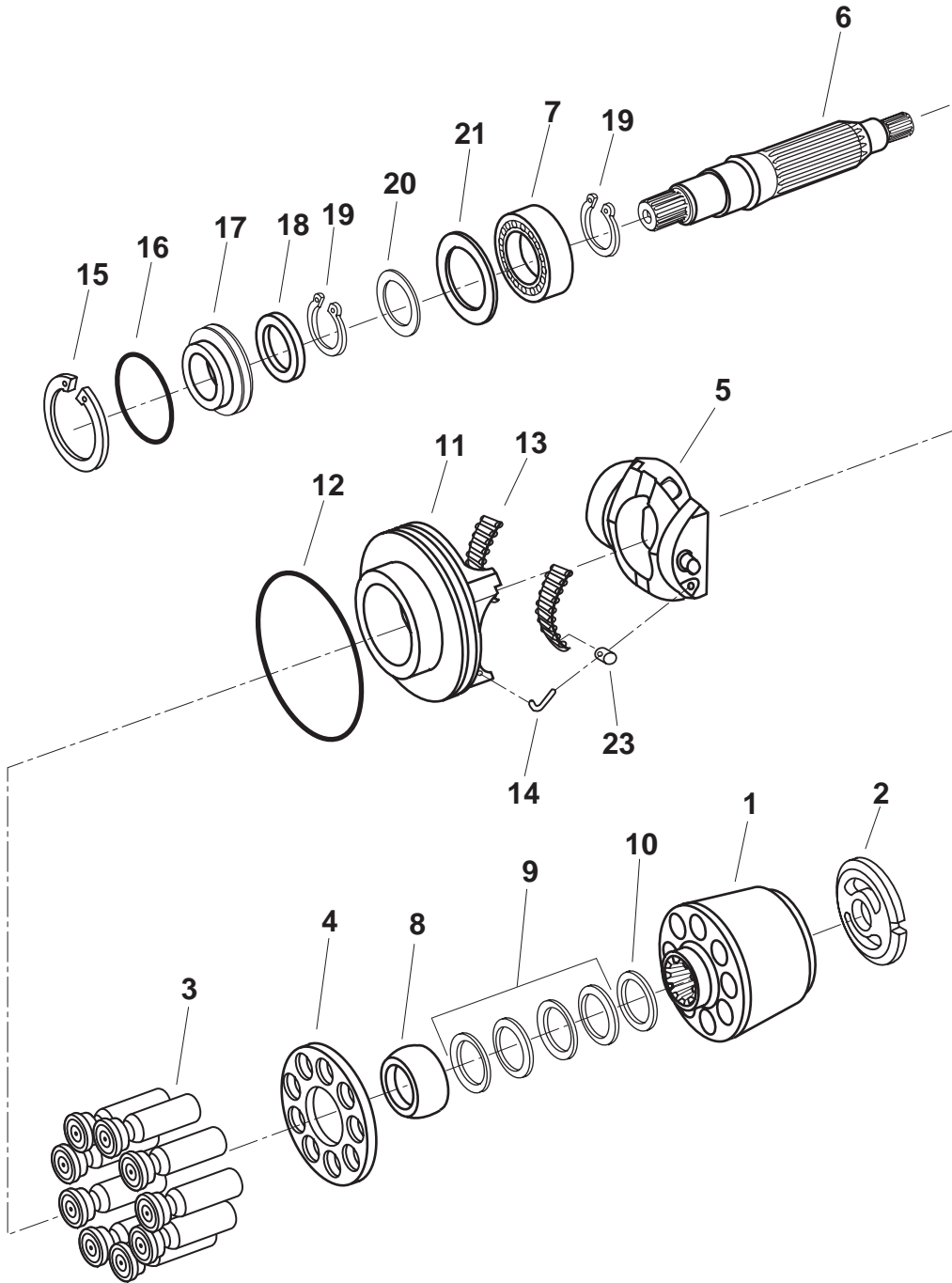
Assembly Number  
**5410-570-001**

| Item | Description                       | Qty | Part Number  |   |
|------|-----------------------------------|-----|--------------|---|
| 1    | Barrel A4V40                      | 1   | H415121      |   |
| 2    | Control Lens CW                   | 1   | 5410-049-005 |   |
| 3    | Piston                            | 9   | H410658      |   |
| 4    | Retaining Plate                   | 1   | H431013      |   |
| 5    | Swash Plate Assembly              | 1   | 5410-430-010 |   |
| 6    | Shaft SAE                         | 1   | H401628      |   |
| 7    | Roller Bearing                    | 1   | H153685      |   |
| 8    | Retaining Ball                    | 1   | H426452      |   |
| 9    | Belleville Washer                 | 4   | H074125      |   |
| 10   | Preload Shim (1.0 mm)             | 1   | H078313      | ▲ |
| 10   | Preload Shim (0.6 mm)             | 0   | H078314      | ▲ |
| 10   | Preload Shim (0.8 mm)             | 0   | H412495      | ▲ |
| 10   | Preload Shim (1.2 mm)             | 0   | H412496      | ▲ |
| 11   | Bearing Flange                    | 1   | H080293      |   |
| 12   | O-Ring (70 Duro Buna PRP-249)     | 1   | 68101-249    | * |
| 13   | Cage Bearing (Set)                | 1   | H154681      |   |
| 14   | Wire                              | 2   | H076233      |   |
| 15   | Int. Snap Ring (62 x 2 DIN 472 )  | 1   | 71128-006    |   |
| 16   | O-Ring (90 Duro Buna PRP-140)     | 1   | 68104-140    | * |
| 17   | Front Cover                       | 1   | H071318      |   |
| 18   | Shaft Seal (Buna-N)               | 1   | 5000-076-023 | * |
| 19   | Ext. Snap Ring (35 x 1.5 DIN 471) | 2   | 71119-007    |   |
| 20   | Shim                              | 1   | H086706      |   |
| 21   | Shim                              | 1   | H083427      |   |
| 23   | Bearing Retainer Bushing          | 2   | H401842      |   |

\* Contained in Buna Seal Kit 5410-635-002

▲ Select the correct Shim to set the Rotary Group preload

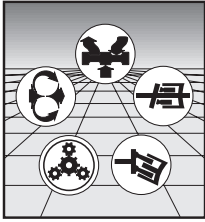
**Back to Index**



[Back to Index](#)

Assembly Number  
**5410-570-002**





# REXROTH CORPORATION

## MOBILE HYDRAULICS DIVISION

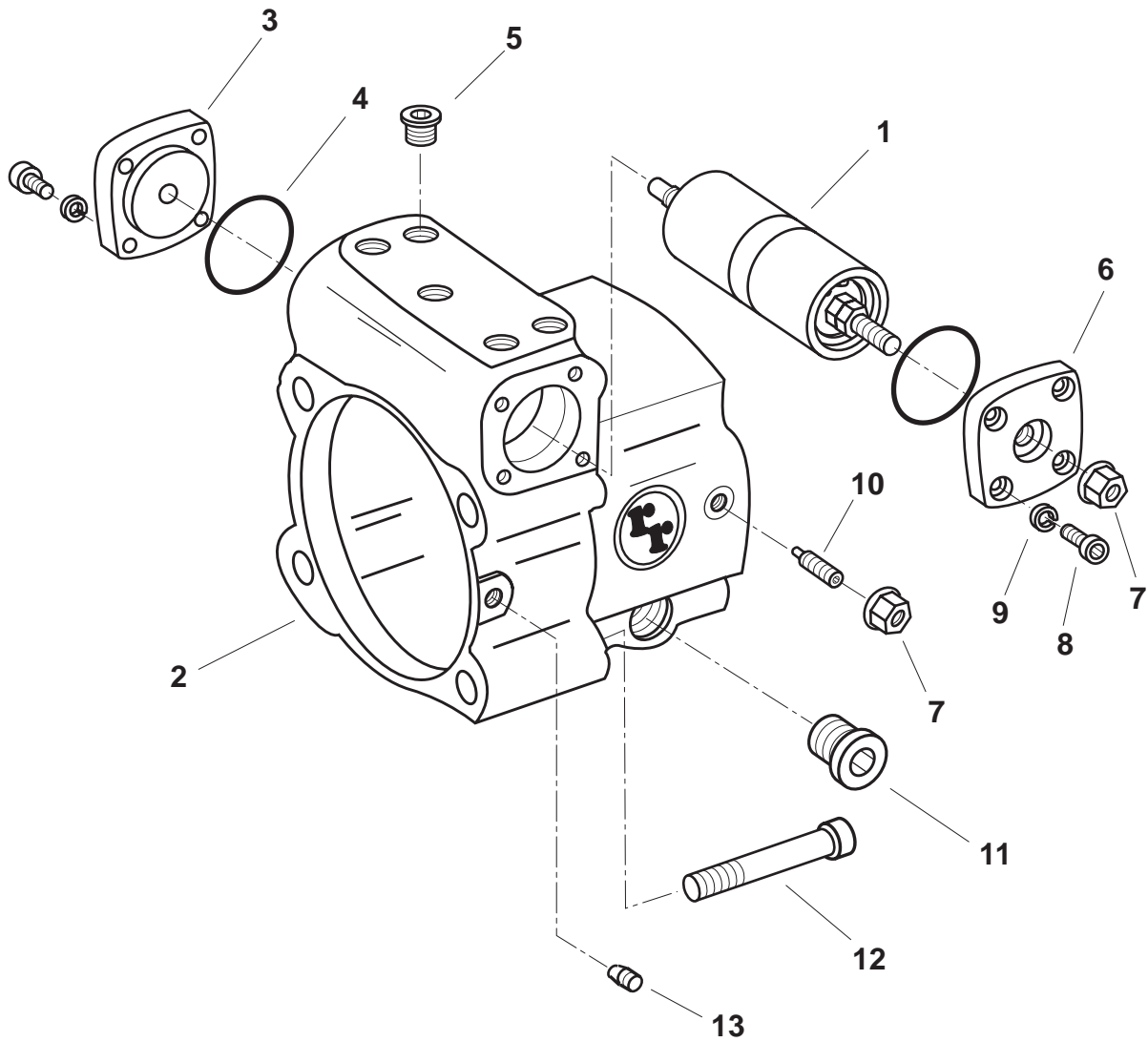
Assembly Number  
**5410-570-002**

| Item | Description                       | Qty | Part Number  |   |
|------|-----------------------------------|-----|--------------|---|
| 1    | Barrel A4V40                      | 1   | H415121      |   |
| 2    | Control Lens CCW                  | 1   | 5410-049-006 |   |
| 3    | Piston                            | 9   | H410658      |   |
| 4    | Retaining Plate                   | 1   | H431013      |   |
| 5    | Swash Plate Assembly              | 1   | 5410-430-010 |   |
| 6    | Shaft SAE                         | 1   | H401628      |   |
| 7    | Roller Bearing                    | 1   | H153685      |   |
| 8    | Retaining Ball                    | 1   | H426452      |   |
| 9    | Belleville Washer                 | 4   | H074125      |   |
| 10   | Preload Shim (1.0 mm)             | 1   | H078313      | ▲ |
| 10   | Preload Shim (0.6 mm)             | 0   | H078314      | ▲ |
| 10   | Preload Shim (0.8 mm)             | 0   | H412495      | ▲ |
| 10   | Preload Shim (1.2 mm)             | 0   | H412496      | ▲ |
| 11   | Bearing Flange                    | 1   | H080293      |   |
| 12   | O-Ring (70 Duro Buna PRP-249)     | 1   | 68101-249    | * |
| 13   | Cage Bearing (Set)                | 1   | H154681      |   |
| 14   | Wire                              | 2   | H076233      |   |
| 15   | Int. Snap Ring (62 x 2 DIN 472)   | 1   | 71128-006    |   |
| 16   | O-Ring (90 Duro Buna PRP-140)     | 1   | 68104-140    | * |
| 17   | Front Cover                       | 1   | H071318      |   |
| 18   | Shaft Seal (Buna-N)               | 1   | 5000-076-023 | * |
| 19   | Ext. Snap Ring (35 x 1.5 DIN 471) | 2   | 71119-007    |   |
| 20   | Shim                              | 1   | H086706      |   |
| 21   | Shim                              | 1   | H083427      |   |
| 23   | Bearing Retainer Bushing          | 2   | H401842      |   |

\* Contained in Buna Seal Kit 5410-635-002

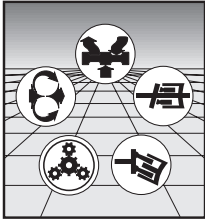
▲ Select the correct Shim to set the Rotary Group preload

**Back to Index**



Assembly Number  
**5410-566-002**

**Back to Index**



# REXROTH CORPORATION

## MOBILE HYDRAULICS DIVISION

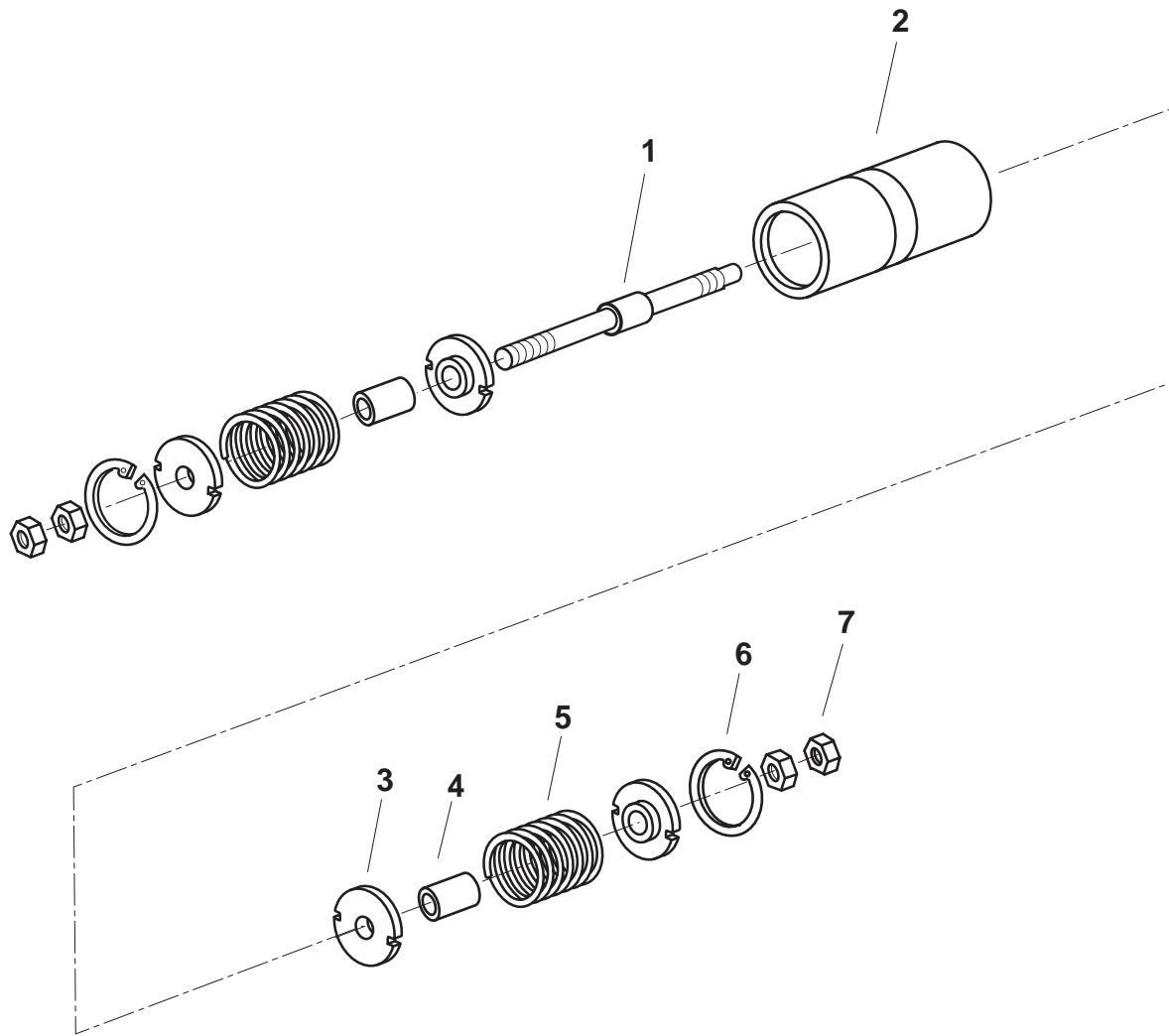
Assembly Number  
**5410-566-002**

| Item | Description                       | Qty | Part Number  |   |
|------|-----------------------------------|-----|--------------|---|
| 1    | Stroking Piston Asssembly         | 1   | 5410-574-005 |   |
| 2    | Housing                           | 1   | 5410-566-001 |   |
| 3    | Stroking Piston Cover             | 1   | H414455      |   |
| 4    | O-Ring (70 Duro Buna PRP-131)     | 2   | 68101-131    | * |
| 5    | Plug (SAE 7/16-20)                | 5   | 76107-004    |   |
| 6    | Stroking Piston Cover             | 1   | H400422      |   |
| 7    | Seal Nut (M10 x 1)                | 2   | 65110-007    | * |
| 8    | Cap Screw (M6 x 12 DIN 912 -8.8)  | 8   | 60118-054    |   |
| 9    | Lock Washer (M6 DIN 7980)         | 8   | 61116-002    |   |
| 10   | Eccentric Screw                   | 1   | H405757      |   |
| 11   | Plug (SAE 7/8-14)                 | 1   | 76107-010    |   |
| 12   | Cap Screw (M14 x 70 DIN 912-10.9) | 4   | 60119-144    |   |
| 13   | Torsion Pin                       | 1   | H414043      | ▲ |
| 13   | Torsion Pin                       | 0   | H414044      | ▲ |

\* Contained in Buna Seal Kit 5410-635-002

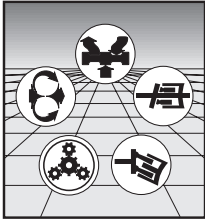
▲ Choose the correct Torsion Pin to fit the Cradle.

**Back to Index**



Assembly Number  
**5410-574-005**

**Back to Index**



# REXROTH CORPORATION

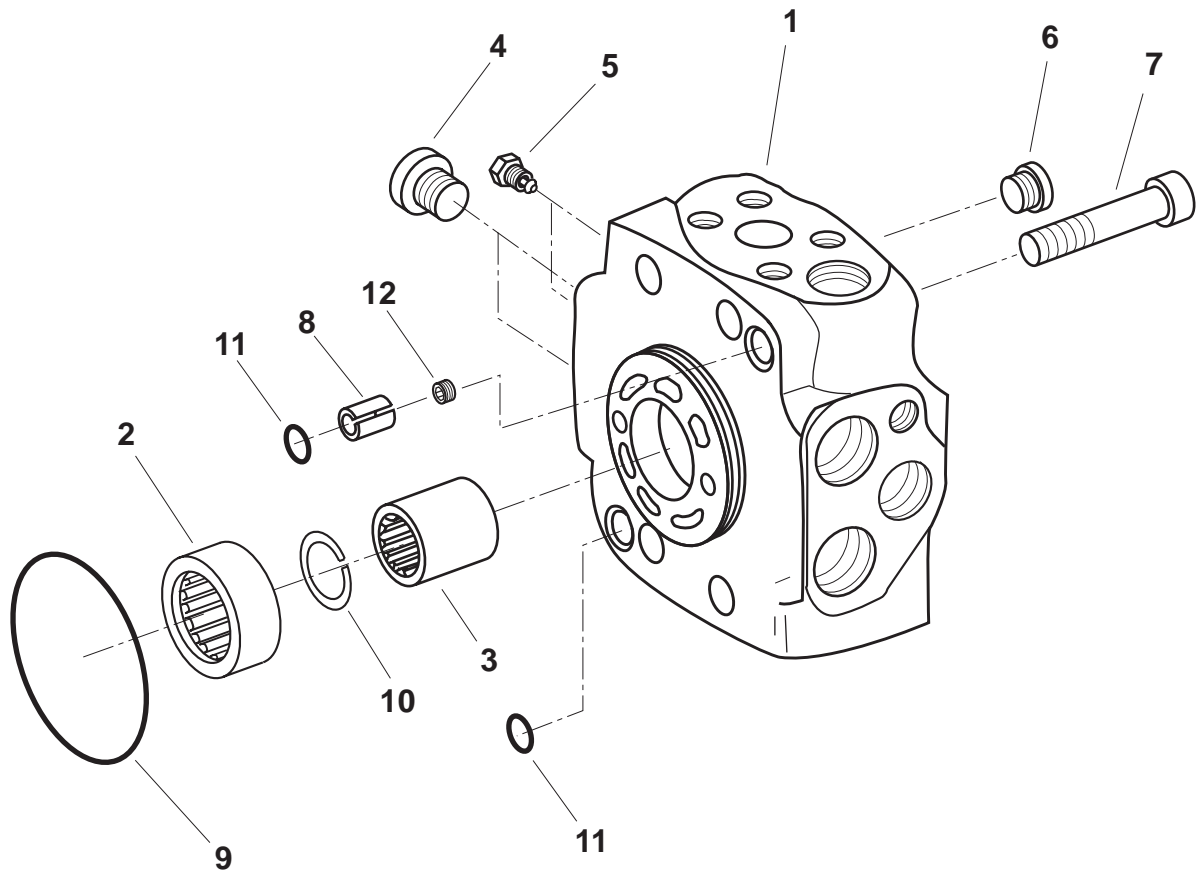
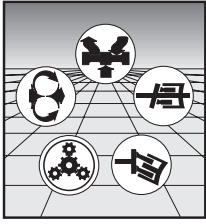
## MOBILE HYDRAULICS DIVISION

Assembly Number  
**5410-574-005**

| Item | Description                  | Qty | Part Number |   |
|------|------------------------------|-----|-------------|---|
| 1    | Rod                          | 1   | H414459     |   |
| 2    | Piston                       | 1   | H400337     |   |
| 3    | Spring Collar with Bushing   | 4   | H420771     |   |
| 4    | Spacer Bushing               | 1   | H078349     | ▲ |
| 4    | Spacer Bushing               | 0   | H078350     | ▲ |
| 4    | Spacer Bushing               | 0   | H078351     | ▲ |
| 5    | Spring                       | 2   | H420769     |   |
| 6    | Seeger-V-Ring                | 2   | H156214     |   |
| 7    | Jam Nut (M10 x 1 DIN 439-04) | 4   | H156503     |   |

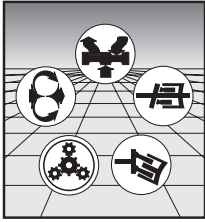
▲ Choose the Correct Spacer Bushing to Set Maximum Displacement.

**Back to Index**



Assembly Number  
**5410-430-009**

**Back to Index**



# REXROTH CORPORATION

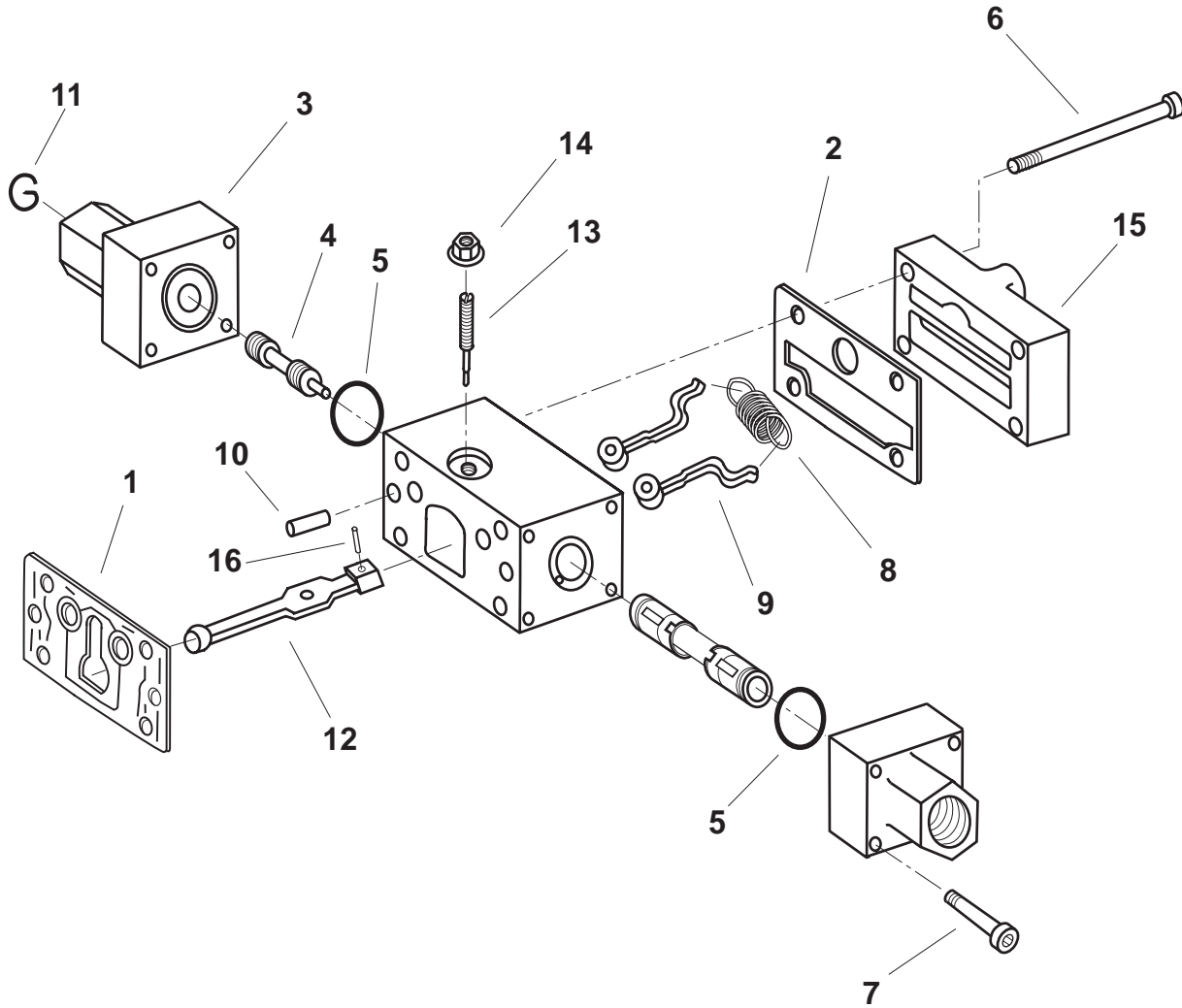
## MOBILE HYDRAULICS DIVISION

Assembly Number  
**5410-430-009**

| Item | Description                       | Qty | Part Number  |   |
|------|-----------------------------------|-----|--------------|---|
| 1    | Port Block Housing                | 1   | 5410-430-008 |   |
| 2    | Rear Shaft Bearing                | 1   | H153245      |   |
| 3    | Charge Pump Coupling              | 1   | H078306      |   |
| 4    | Plug (SAE 3/4-16)                 | 2   | 76107-008    |   |
| 5    | P.O.R. Check Valve Assembly       | 2   | H079500      |   |
| 6    | Plug (SAE 7/16-20)                | 2   | 76107-004    |   |
| 7    | Cap Screw (M12 x 70 DIN 912-10.9) | 4   | 60119-144    |   |
| 8    | Spring Pin (5 x 10 DIN 7346)      | 1   | 69119-185    | * |
| 9    | O-Ring (70 Duro Buna PRP-234)     | 1   | 68101-234    |   |
| 10   | Ext. Retaining Ring (DIN-7993)    | 1   | 71129-008    |   |
| 11   | Quad Ring (90 Duro PRP-4015)      | 2   | 62104-014    | * |
| 12   | Socket Head Plug (M8 x 1 DIN 906) | 1   | 76117-003    |   |

\* Contained in Buna Seal Kit 5410-635-002

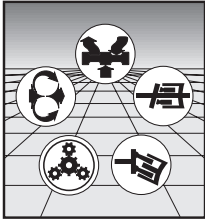
[Back to Index](#)



Assembly Number  
**5411-552-001**

**Back to Index**





# REXROTH CORPORATION

## MOBILE HYDRAULICS DIVISION

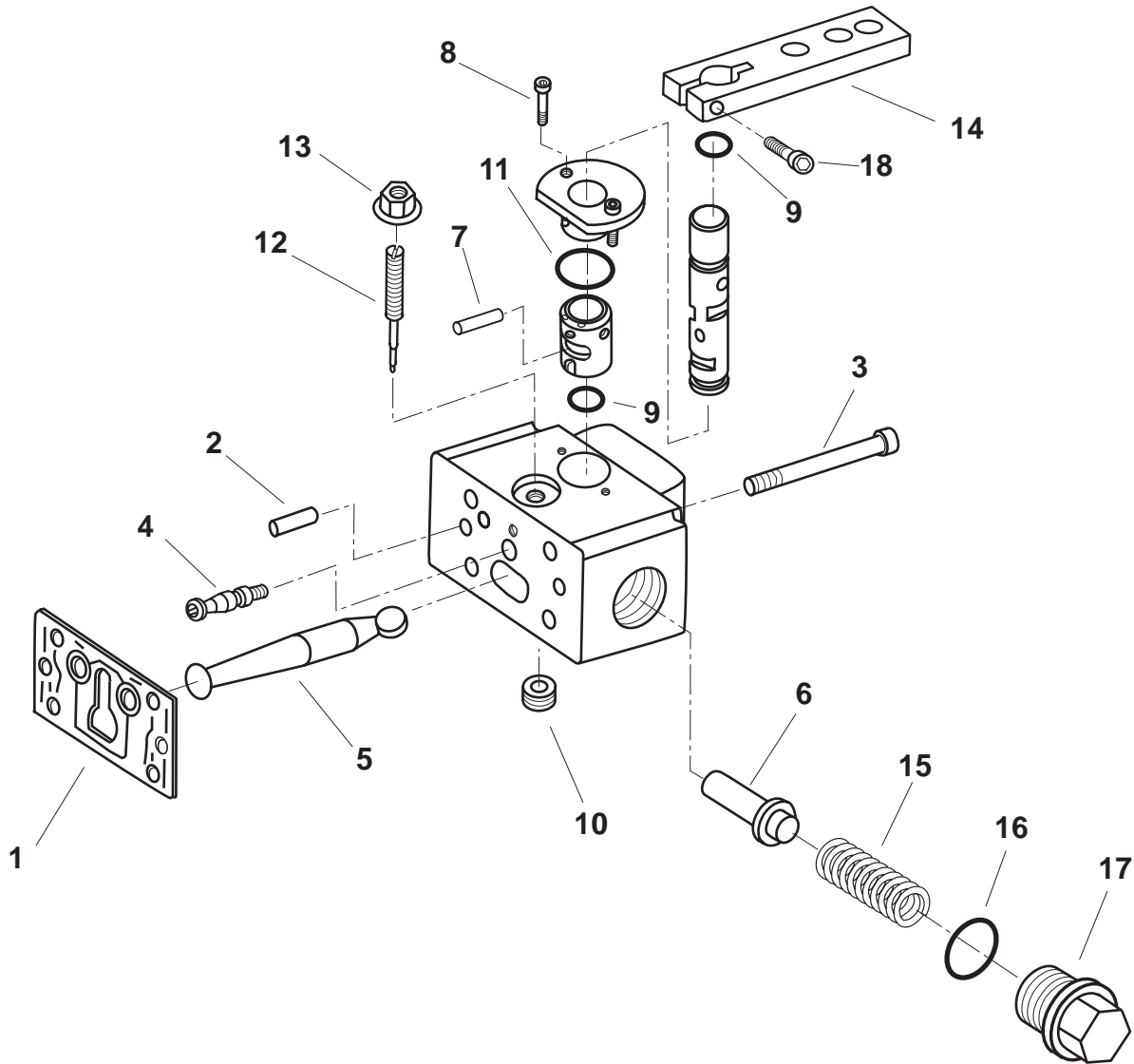
Assembly Number  
**5411-552-001**

| Item | Description                     | Qty | Part Number  |   |
|------|---------------------------------|-----|--------------|---|
| 1    | Control Module Gasket           | 1   | 5400-082-001 | * |
| 2    | Cover Gasket                    | 1   | 5400-082-002 | * |
| 3    | Bonnet                          | 2   | H401760      |   |
| 4    | Piston                          | 2   | H413580      |   |
| 5    | O-Ring (70 Duro Buna PRP-018)   | 2   | 68101-018    | * |
| 6    | Cap Screw (M6 x 55 DIN 912-8.8) | 4   | 60118-066    | ❖ |
| 7    | Cap Screw (M4 x 20 DIN 912-8.8) | 8   | 60118-020    |   |
| 8    | Spring                          | 1   | H416385      |   |
| 9    | Lever Arms                      | 2   | H417155      |   |
| 10   | Dowel Pin (6 x 14 mm DIN 6325)  | 2   | 69116-005    |   |
| 11   | Retaining Ring                  | 2   | H156539      |   |
| 12   | Feedback Lever                  | 1   | H408298      |   |
| 13   | Eccentric Pin                   | 1   | H071521      |   |
| 14   | Seal Nut (M6)                   | 1   | 65110-003    | * |
| 15   | Rear Cover                      | 1   | H071512      | ❖ |
| 16   | Pin                             | 1   | H151552      |   |

\* Contained in Buna Seal Kit 5410-635-002

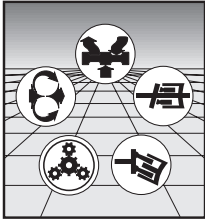
❖ These items are not used with POR. Use bolts listed with POR Ass'y.

**Back to Index**



Assembly Number  
**5412-552-001**

**Back to Index**



# REXROTH CORPORATION

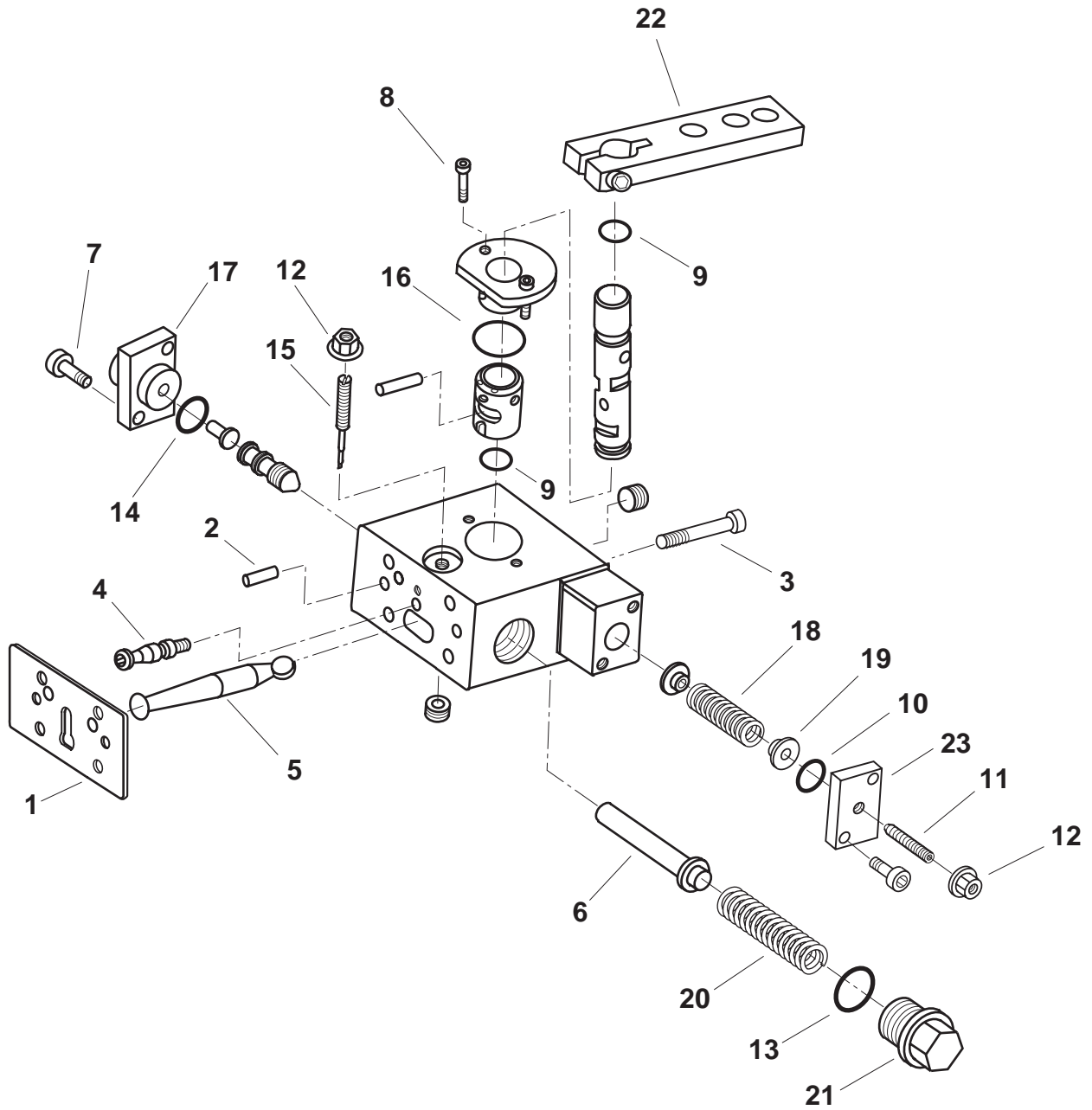
## MOBILE HYDRAULICS DIVISION

Assembly Number  
**5412-552-001**

| Item | Description                     | Qty | Part Number  |   |
|------|---------------------------------|-----|--------------|---|
| 1    | Control Module Gasket           | 1   | 5400-082-001 | * |
| 2    | Dowel Pin (M6 x 14 DIN 6325)    | 2   | H087338      |   |
| 3    | Cap Screw (M6 x 50 DIN 912-8.8) | 4   | 60118-065    |   |
| 4    | Center Pin                      | 1   | H071389      |   |
| 5    | Feed Back Lever                 | 1   | H076425      |   |
| 6    | Plunger                         | 2   | H400334      |   |
| 7    | Dowell Pin                      | 1   | H156217      |   |
| 8    | Cap Screw (M5 x 10 DIN 912-8.8) | 2   | 60118-032    |   |
| 9    | O-Ring (70 Duro Buna PRP-012)   | 2   | 68101-012    | * |
| 10   | Plug                            | 1   | H071521      |   |
| 11   | O-Ring (70 Duro Buna PRP-019)   | 1   | 68101-019    | * |
| 12   | Eccentric                       | 1   | H071520      |   |
| 13   | Seal Nut (M6 x 1)               | 1   | 65110-003    | * |
| 14   | Control Lever                   | 1   | H401723      |   |
| 15   | Spring                          | 2   | H416191      |   |
| 16   | O-Ring (90 Duro Buna PRP-115)   | 2   | 68104-115    | * |
| 17   | Plug                            | 2   | H400335      |   |
| 18   | Cap Screw                       | 1   | 60118-037    |   |

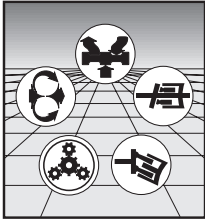
\* Contained in Buna Seal Kit 5410-635-002

[Back to Index](#)



Assembly Number  
**5412-552-002**

[Back to Index](#)



# REXROTH CORPORATION

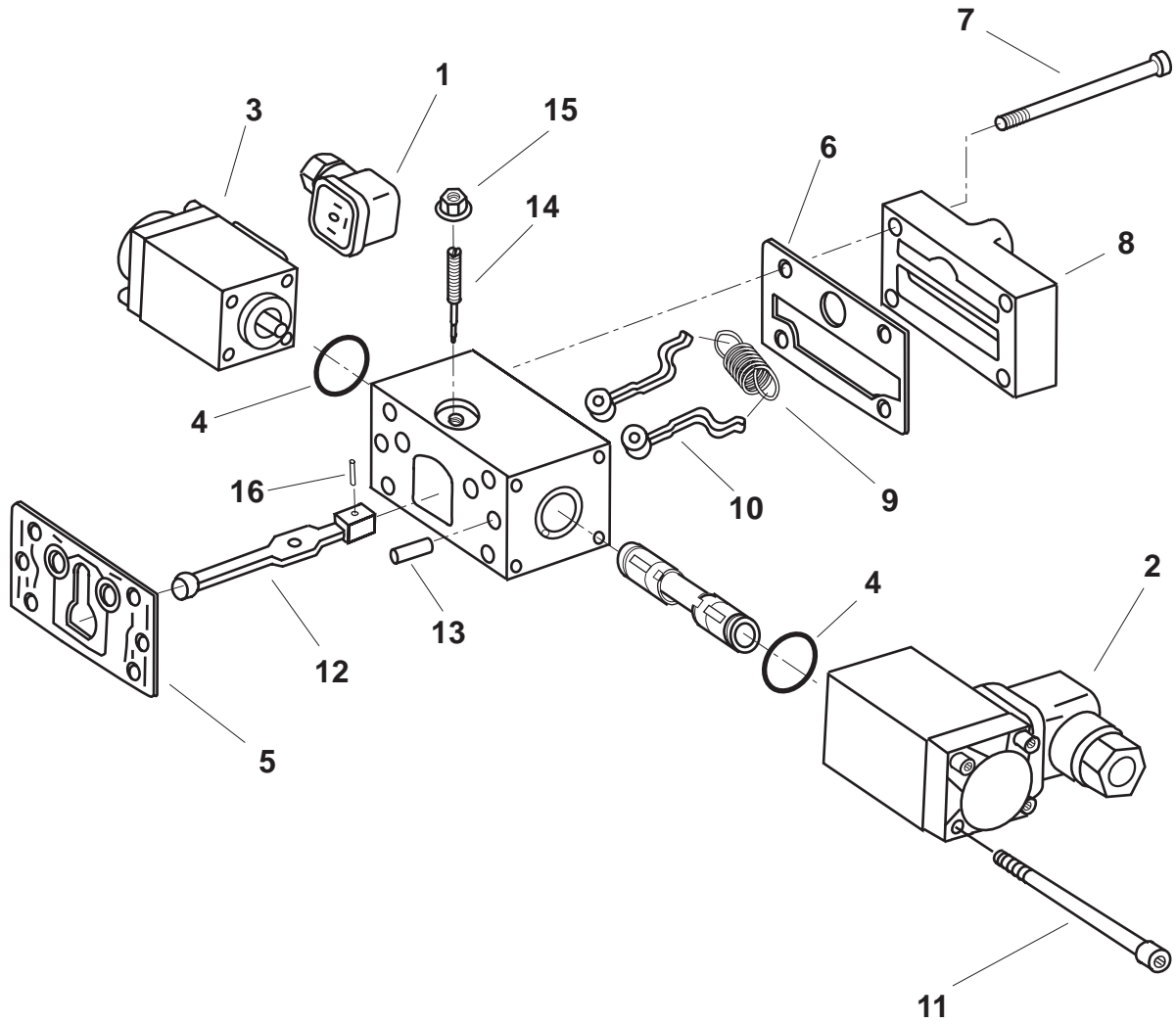
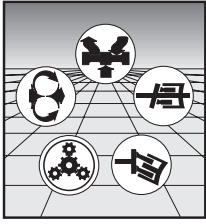
## MOBILE HYDRAULICS DIVISION

Assembly Number  
**5412-552-002**

| Item | Description                            | Qty | Part Number  |   |
|------|--|-----|--------------|---|
| 1    | Control Module Gasket                  | 1   | 5400-082-001 | * |
| 2    | Dowel Pin (6 x 14 mm DIN 6325)         | 2   | 69116-005    |   |
| 3    | Cap Screw (M6 x 70 DIN 912 -8.8)       | 4   | 60118-069    |   |
| 4    | Center Pin                             | 1   | H425121      |   |
| 5    | Feedback Lever                         | 1   | H076425      |   |
| 6    | Push Pin                               | 2   | H425120      |   |
| 7    | Cap Screw (M5 x 12 DIN 912 -8.8)       | 4   | 60118-033    |   |
| 8    | Cap Screw (M5 x 10 DIN 6912 -8.8)      | 2   | 60140-010    |   |
| 9    | O-Ring (70 Duro Buna PRP-012)          | 2   | 68101-012    | * |
| 10   | O-Ring (70 Dura Buna PRP-016)          | 1   | 68101-016    | * |
| 11   | Adjusting Screw (M6 x 35 DIN 914-10.9) | 1   | 60136-047    |   |
| 12   | Seal Nut (M6 )                         | 2   | 65110-003    | * |
| 13   | O-Ring (90 Duro Buna PRP-115)          | 2   | 68104-115    | * |
| 14   | O-Ring (70 Duro Buna PRP-017)          | 1   | 68101-017    | * |
| 15   | Eccentric Pin                          | 1   | H079473      |   |
| 16   | O-Ring (70 Duro Buna PRP-019)          | 1   | 68101-019    | * |
| 17   | Cover                                  | 1   | H404572      |   |
| 18   | Spring                                 | 1   | H404571      |   |
| 19   | Spring Guide                           | 2   | H404573      |   |
| 20   | Spring                                 | 2   | H416191      |   |
| 21   | Cap                                    | 2   | H400335      |   |
| 22   | Handle                                 | 1   | H401723      |   |

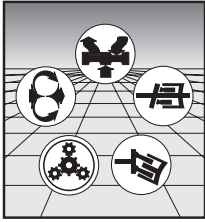
\* Contained in Seal Kit 5410-635-002

[Back to Index](#)



Assembly Number  
**5413-552-001**

[Back to Index](#)



# REXROTH CORPORATION

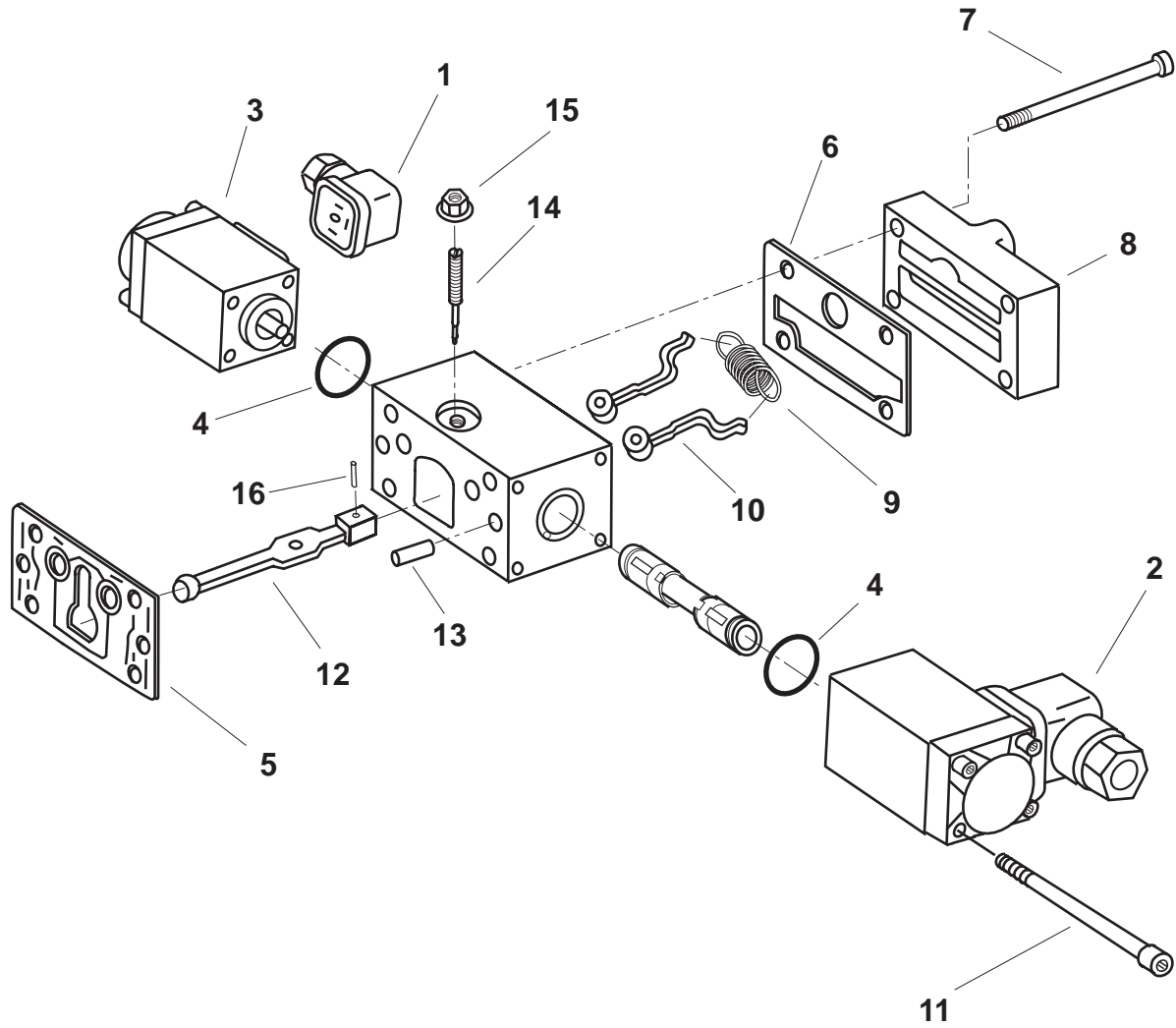
## MOBILE HYDRAULICS DIVISION

Assembly Number  
**5413-552-001**

| Item | Description                     | Qty | Part Number  |   |
|------|---------------------------------|-----|--------------|---|
| 1    | Hershman Connector (Gray)       | 1   | 5400-085-001 |   |
| 2    | Hershman Connector (Black)      | 1   | 5400-085-002 |   |
| 3    | Solenoid-Prop. 24V              | 2   | 5403-580-001 |   |
| 4    | O-Ring (70 Duro Buna PRP-018)   | 2   | 68101-018    | * |
| 5    | Control Gasket                  | 1   | 5400-082-001 | * |
| 6    | Control Gasket                  | 1   | 5400-082-002 | * |
| 7    | Cap Screw (M6 x 55 DIN 912-8.8) | 4   | 60118-066    |   |
| 8    | Rear Cover                      | 1   | H071512      |   |
| 9    | Feedback Spring                 | 1   | H413287      |   |
| 10   | Control Arms                    | 2   | H417155      |   |
| 11   | Cap Screw (M4 x 70 DIN 912-8.8) | 8   | 60118-341    |   |
| 12   | Feedback Lever                  | 1   | H408298      |   |
| 13   | Dowel Pin (6 x 14 mm DIN 6325)  | 2   | 69116-005    |   |
| 14   | Eccentric Screw                 | 1   | H071520      |   |
| 15   | Seal Nut (M6)                   | 1   | 65110-003    | * |
| 16   | Pin                             | 1   | H151552      |   |

\* Contained in Buna Seal Kit 5410-635-002

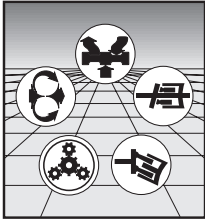
[Back to Index](#)



Assembly Number  
**5413-552-002**

[Back to Index](#)





# REXROTH CORPORATION

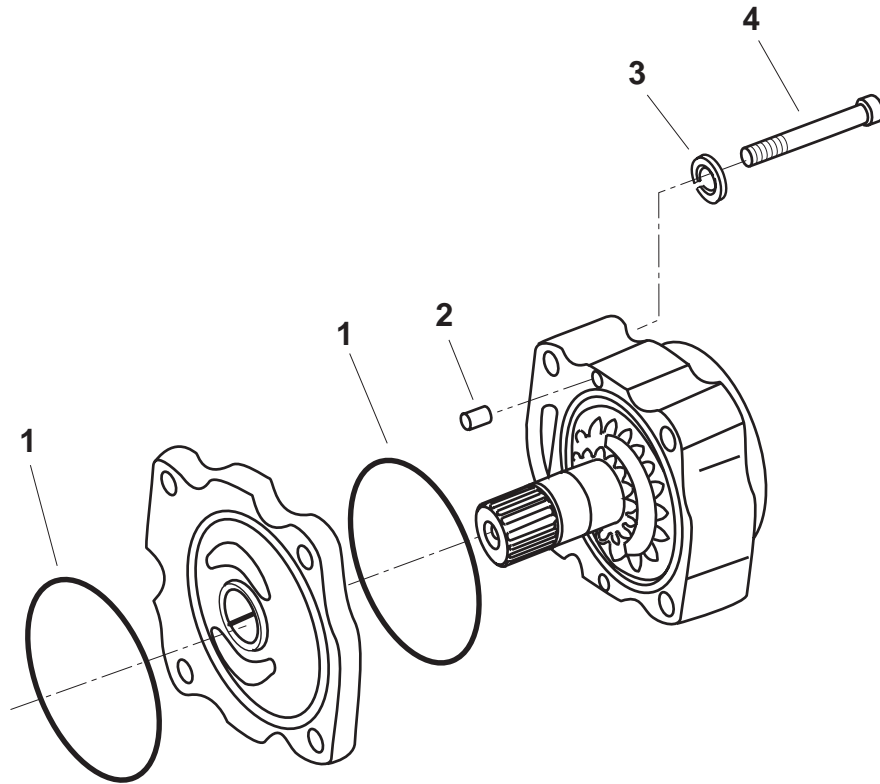
## MOBILE HYDRAULICS DIVISION

Assembly Number  
**5413-552-002**

| Item | Description                     | Qty | Part Number  |   |
|------|---------------------------------|-----|--------------|---|
| 1    | Hershman Connector (Gray)       | 1   | 5400-085-001 |   |
| 2    | Hershman Connector (Black)      | 1   | 5400-085-002 |   |
| 3    | Solenoid-Prop. 12V              | 2   | 5403-580-002 |   |
| 4    | O-Ring (70 Duro Buna PRP-018)   | 2   | 68101-018    | * |
| 5    | Control Gasket                  | 1   | 5400-082-001 | * |
| 6    | Control Gasket                  | 1   | 5400-082-002 | * |
| 7    | Cap Screw (M6 x 55 DIN 912-8.8) | 4   | 60118-066    |   |
| 8    | Rear Cover                      | 1   | H071512      |   |
| 9    | Feedback Spring                 | 1   | H413287      |   |
| 10   | Control Arms                    | 2   | H417155      |   |
| 11   | Cap Screw (M4 x 70 DIN 912-8.8) | 8   | 60118-341    |   |
| 12   | Feedback Lever                  | 1   | H408298      |   |
| 13   | Dowel Pin (6 x 14 mm DIN 6325)  | 2   | 69116-005    |   |
| 14   | Eccentric Screw                 | 1   | H071520      |   |
| 15   | Seal Nut (M6)                   | 1   | 65110-003    | * |
| 16   | Pin                             | 1   | H151552      |   |

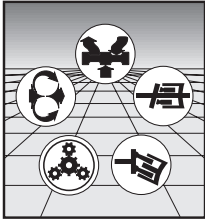
\* Contained in Buna Seal Kit 5410-635-002

[Back to Index](#)



Assembly Number  
**5410-430-001**

**Back to Index**



# REXROTH CORPORATION

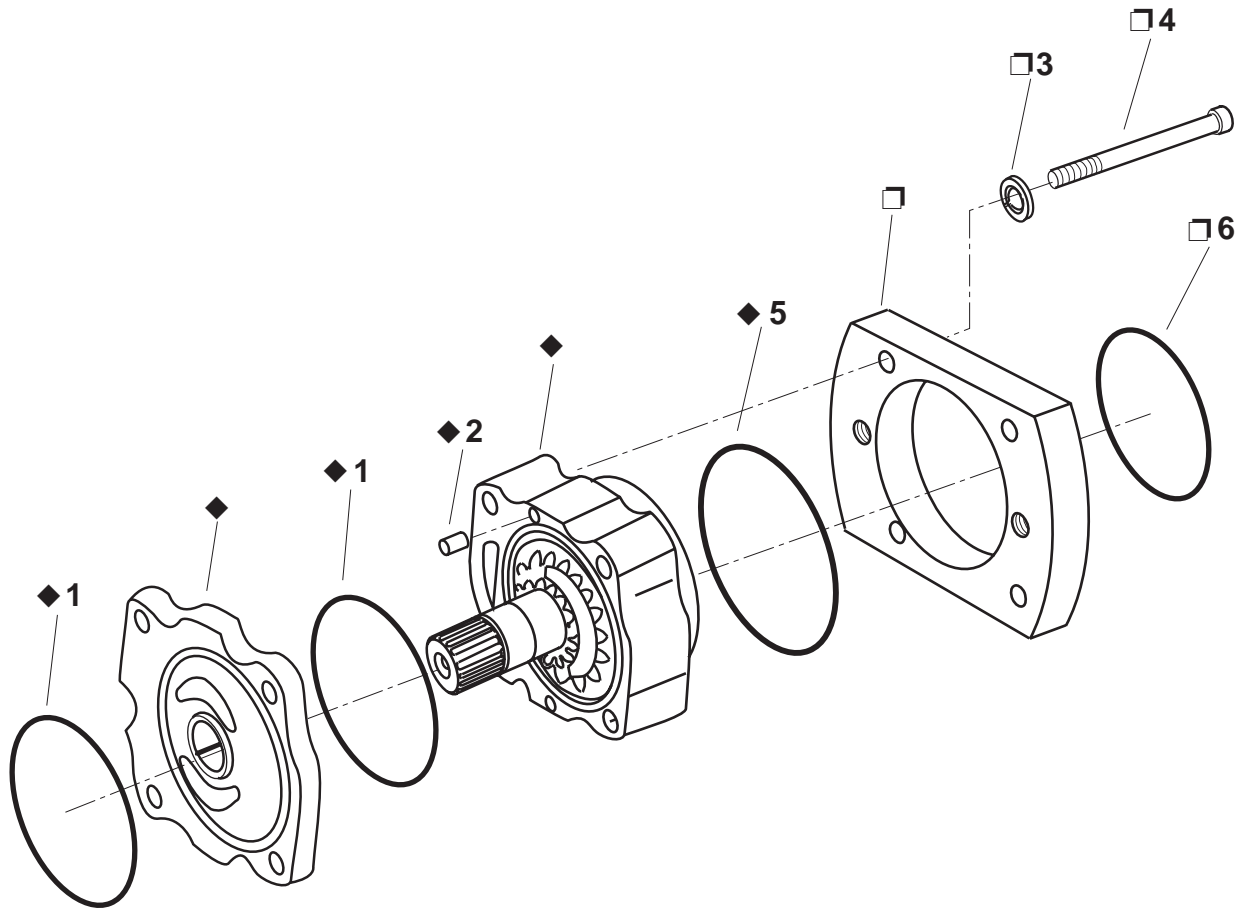
## MOBILE HYDRAULICS DIVISION

Assembly Number  
**5410-430-001**

| Item | Description                      | Qty | Part Number |   |
|------|----------------------------------|-----|-------------|---|
| 1    | O-Ring (70 Duro Buna PRP-040)    | 2   | 68101-040   | * |
| 2    | Dowel Pin (M6 x 10 DIN 7)        | 2   | 69115-003   |   |
| 3    | Lock Washer (M8 DIN 7980)        | 4   | 61116-003   |   |
| 4    | Cap Screw (M8 x 45 DIN 912- 8.8) | 4   | 60118-087   |   |

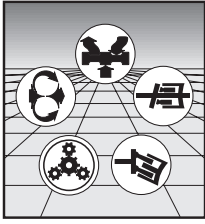
\* Contained in Buna Seal Kit 5410-635-002

**Back to Index**



Assembly Number  
**5410-635-003**

**Back to Index**



# REXROTH CORPORATION

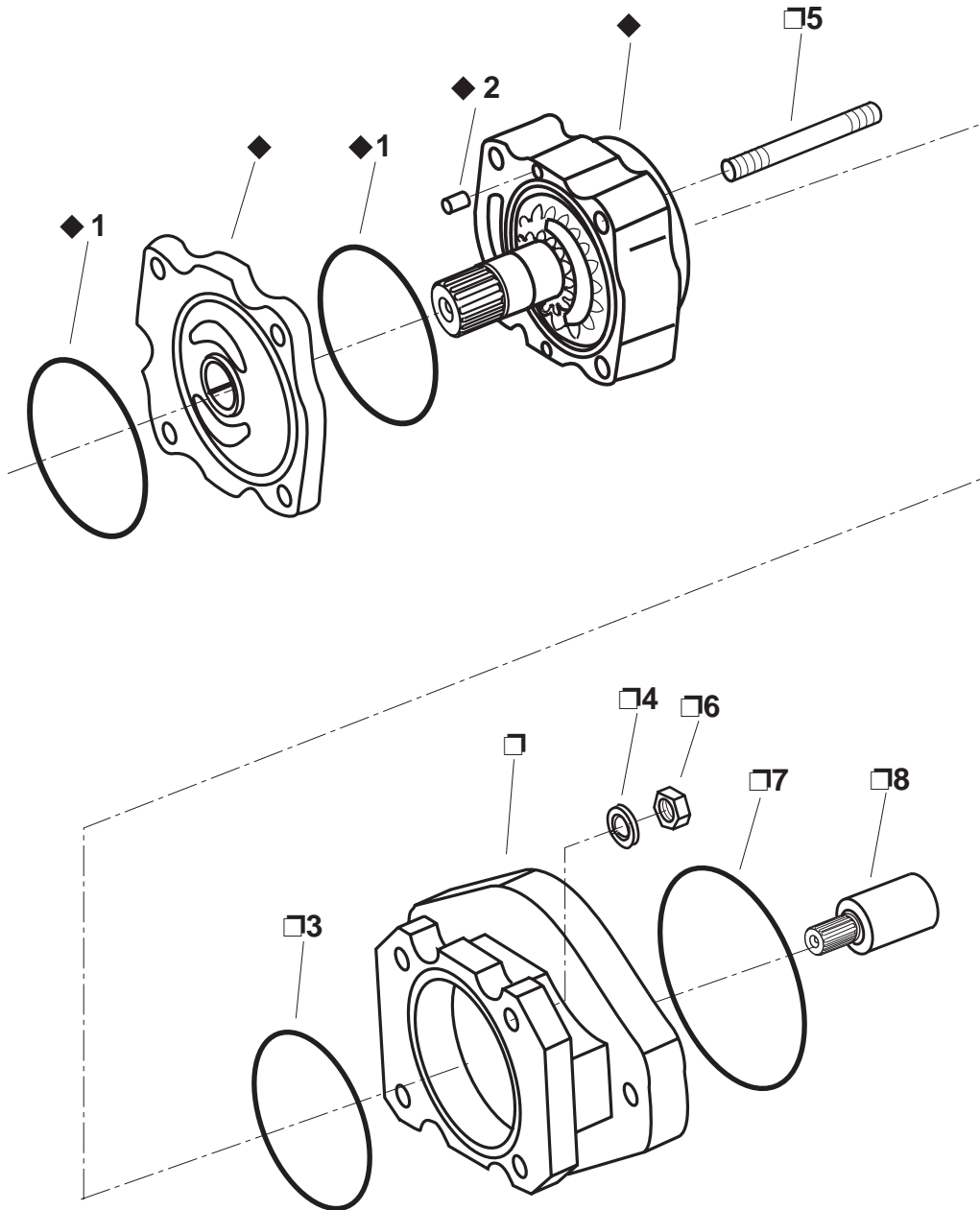
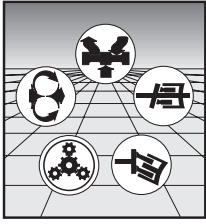
## MOBILE HYDRAULICS DIVISION

Assembly Number  
**5410-635-003**

| Item | Description                      | Qty | Part Number |   |
|------|----------------------------------|-----|-------------|---|
| 1    | O-Ring (70 Duro Buna PRP-040)    | 2   | 68101-040   | * |
| 2    | Dowel Pin (M6 x 10 DIN 7)        | 2   | 69115-003   |   |
| 3    | Lock Washer (M8 DIN 7980)        | 4   | 61116-003   |   |
| 4    | Cap Screw (M8 x 50 DIN 912- 8.8) | 4   | 60118-088   |   |
| 5    | O-Ring (70 Duro Buna PRP-150)    | 1   | 68101-150   | * |
| 6    | O-Ring (70 Duro Buna PRP-042)    | 1   | 68101-042   | * |

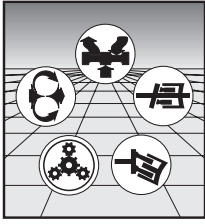
- \* Contained in Buna Seal Kit 5410-635-002
- ◆ These items are contained in 5410-430-003
- These items are contained in 5410-635-008

**Back to Index**



[Back to Index](#)

Assembly Number  
**5410-635-010**



# REXROTH CORPORATION

## MOBILE HYDRAULICS DIVISION

Assembly Number  
**5410-635-010**

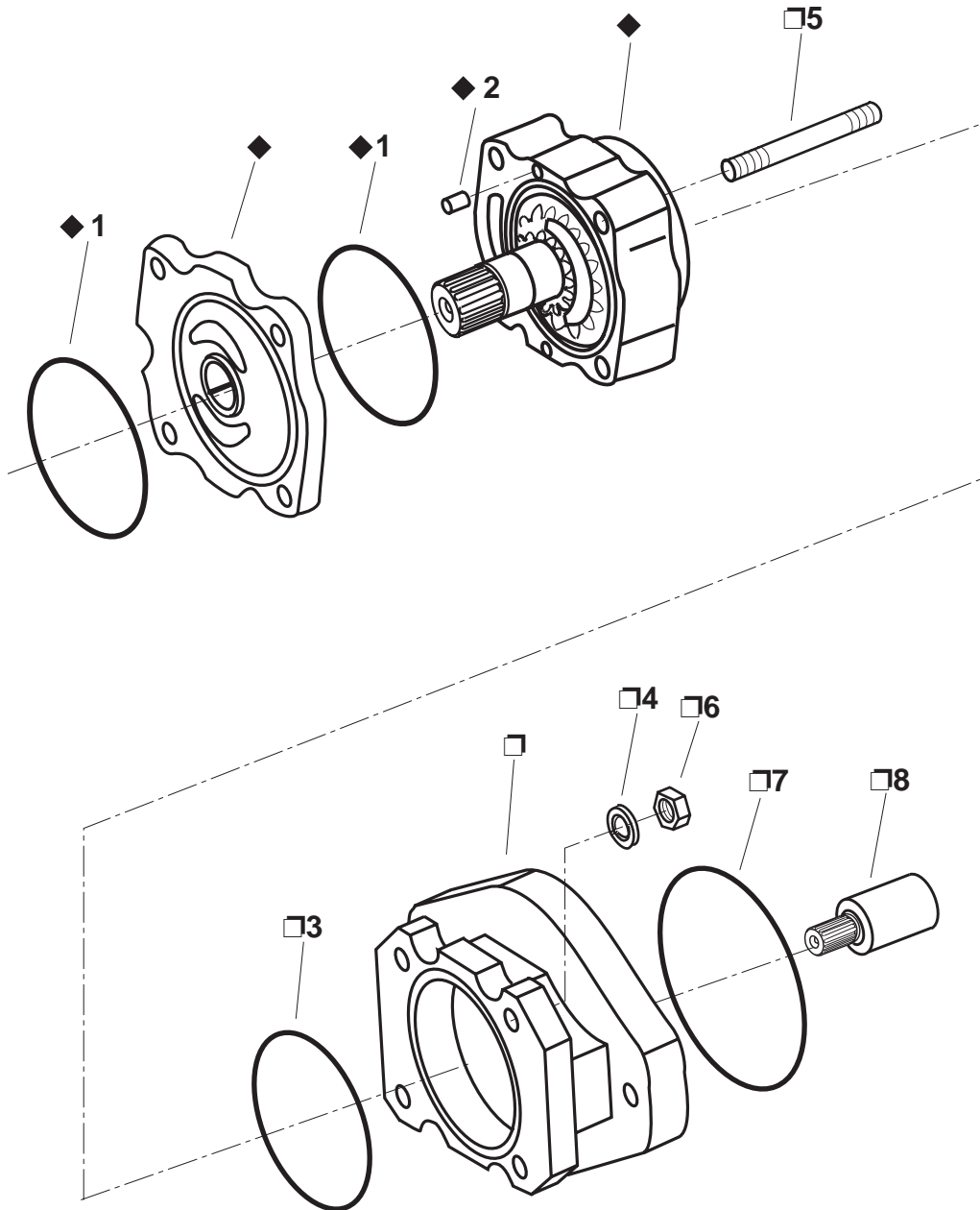
| Item | Description                   | Qty | Part Number  |   |
|------|-------------------------------|-----|--------------|---|
| 1    | O-Ring (70 Duro Buna PRP-040) | 2   | 68101-040    | * |
| 2    | Dowel Pin (6 x 10 mm DIN 7)   | 1   | 69115-003    |   |
| 3    | O-Ring (70 Duro Buna PRP-150) | 1   | 68101-150    | * |
| 4    | Lock Washer (M8)              | 4   | 61116-003    |   |
| 5    | Stud                          | 4   | H154623      |   |
| 6    | Nut (M8)                      | 4   | 65111-003    |   |
| 7    | O-Ring (70 Duro Buna PRP-045) | 1   | 68101-045    | * |
| 8    | Thru Drive Coupling SAE "B"   | 1   | 5400-065-001 |   |

\* Contained in Buna Seal Kit 5410-635-002

◆ These parts included in 5410-430-004

□ These parts included in 5410-635-009

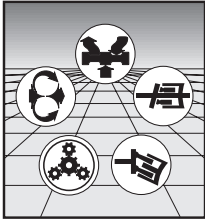
**Back to Index**



Assembly Number  
**5410-635-011**

[Back to Index](#)





# REXROTH CORPORATION

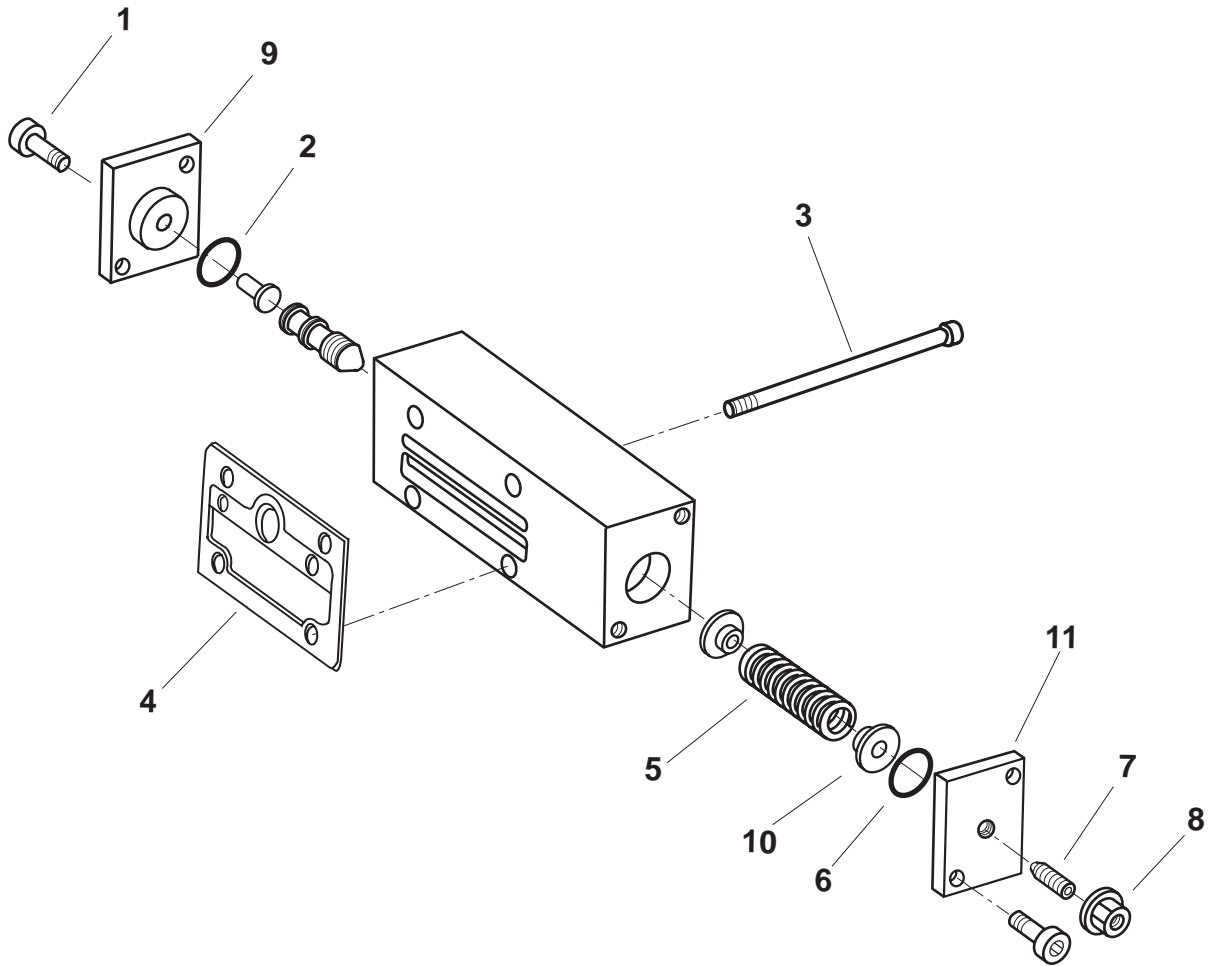
## MOBILE HYDRAULICS DIVISION

Assembly Number  
**5410-635-011**

| Item | Description                   | Qty | Part Number  |   |
|------|-------------------------------|-----|--------------|---|
| 1    | O-Ring (70 Duro Buna PRP-040) | 2   | 68101-040    | * |
| 2    | Dowel Pin (6 x 10 mm DIN 7)   | 1   | 69115-003    |   |
| 3    | O-Ring (70 Duro Buna PRP-150) | 1   | 68101-150    | * |
| 4    | Lock Washer (M8)              | 4   | 61116-003    |   |
| 5    | Stud                          | 4   | H154623      |   |
| 6    | Nut (M8)                      | 4   | 65111-003    |   |
| 7    | O-Ring (70 Duro Buna PRP-045) | 1   | 68101-045    | * |
| 8    | Thru Drive Coupling SAE "B-B" | 1   | 5400-065-003 |   |

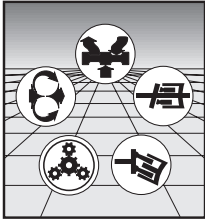
- \* Contained in Buna Seal Kit 5410-635-002
- ◆ These parts included in 5410-430-004
- These parts included in 5410-635-012

**Back to Index**



Assembly Number  
**5400-635-005**

**Back to Index**



# REXROTH CORPORATION

## MOBILE HYDRAULICS DIVISION

Assembly Number  
**5400-635-005**

| Item | Description                            | Qty | Part Number  |   |
|------|--|-----|--------------|---|
| 1    | Cap Screw (M5 x 12 DIN 912-8.8)        | 4   | 60118-033    |   |
| 2    | O-Ring (70 Duro Buna PRP-017)          | 1   | 68101-017    | * |
| 3    | Cap Screw (M6 x 70 DIN 912-8.8)        | 4   | 60118-092    |   |
| 4    | Control Module Gasket                  | 1   | 5400-082-002 | * |
| 5    | Spring                                 | 1   | H420972      |   |
| 6    | O-Ring (70 Duro Buna PRP-016)          | 1   | 68101-016    | * |
| 7    | Adjusting Screw (M6 x 25 DIN 914-10.9) | 1   | 60136-002    |   |
| 8    | Seal Nut (M6)                          | 1   | 65110-003    | * |
| 9    | Cover                                  | 1   | H404572      |   |
| 10   | Spring Collar                          | 4   | H420971      |   |
| 11   | Cover                                  | 1   | H404507      |   |

\* Contained in Buna Seal Kit 5410-635-002

[Back to Index](#)

## Variable Pump AA4V, Series 1

**Specifications, descriptions, and illustrative material shown herein were as accurate as know at the time this publication was printed. Rexroth reserves the right to discontinue models or options at any time or to change specifications, materials, or designs without notice and without incurring obligation.**

DISTRIBUTED BY: