

Spare parts list

Product Unit
Axial Piston Units

Part No.: R909429016

Designation: AA4V90HW1R3G2E11-S

G

Drawing no.: R909706750

Pos.	Part No.	Designation	Quantity	
1	R909424578	ROTARY GROUP	1 ST	L
2	R909414469	HYDRAULIC CONTROL	1 ST	L
3	R909418441	PORT PLATE WITH VALVES	1 ST	L
4	R909403698	INTERNAL GEAR PUMP	1 ST	L
6	R909420961	CONTROL MODULE	1 ST	L
7	R909414719	CONTROL CARTRIDGE	1 ST	LD
9	R909408042	PUMP SUPPORT PLATE	1 ST	L
10	R909405950	HOUSING WITH BUSH	1 ST	L
11	R909401635	FLANGE	1 ST	
12	R909414046	CONNECTING AGAINST TORSION	1 ST	
12	R909414045	CONNECTING AGAINST TORSION	1 ST	
13	R909405758	ECCENTRIC SCREW	1 ST	
14	R909400356	PIPE WITH ACCESORIES	1 ST	L
15	R909074171	SLIDE RING	1 ST	
16	R909405786	HOLLOW SCREW	1 ST	
20	R909154480	LOCKING SCREW	1 ST	D
21	R909154478	LOCKING SCREW	5 ST	D
24	R909086731	O-RING	1 ST	D
25	R909085365	O-RING	1 ST	D
26	R909087405	SEAL LOCK NUT	1 ST	D
27	R909831318	DOUBLE BREAK-OFF PIN	1 ST	D
29	R909156493	ORIFICE	2 ST	D
30	R909083139	SOCKET-HEAD SCREW	4 ST	
31	R909156494	ORIFICE	1 ST	D
40	R909416182	HYDRAULIC LINE	1 ST	L

Safety Notes:

Service – and repair works have to be carried out by the Bosch Rexroth AG or their repair stations only. We do not grant any warranty for defects due to assembly, maintenance or repair not effected by the Bosch Rexroth AG or their repair stations.

L = Assembly group D = Sealing element

Status of version: 7/2006

Page: 1

Date: 26.09.2006

Spare parts list

Product Unit
Axial Piston Units

Part No.: R909424578
Designation: ROTARY GROUP

Drawing no.: R909705094

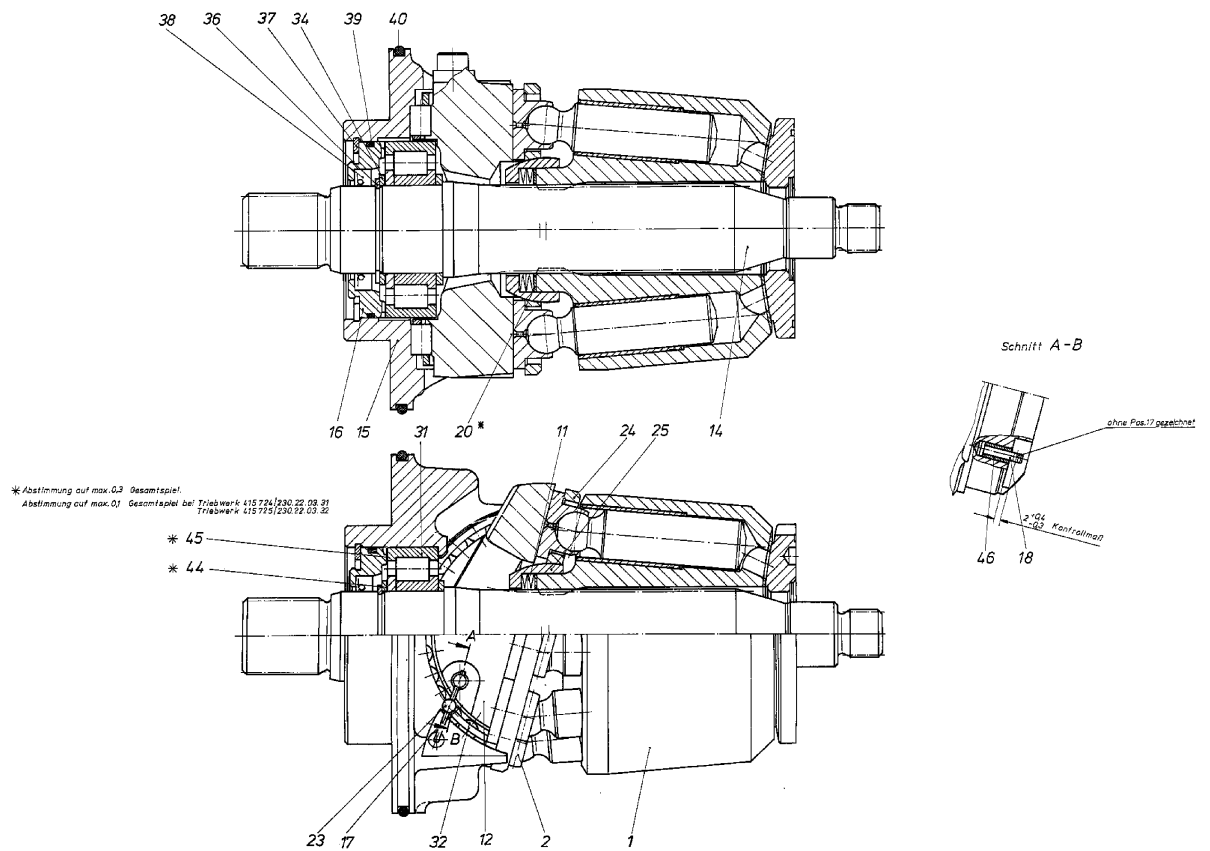
Pos.	Part No.	Designation	Quantity	
1	R909433368	CYLINDER WITH CONTROL PLATE	1 ST	L
2	R909443559	PISTON-SLIPPER PAD	9 ST	
11	R909074127	CUP-SPRING STACK	1 ST	
12	R909431358	CRADLE	1 ST	
14	R909401630	DRIVE SHAFT	1 ST	
15	R909080295	BEARING FLANGE	1 ST	
16	R909069366	COVER	1 ST	D
17	R909076233	WIRE	2 ST	
18	R909076231	JOINT PIN	2 ST	
20	R909080153	SHIM	1 ST	
20	R909412704	SHIM	1 ST	
20	R909412705	SHIM	1 ST	
20	R909080152	SHIM	1 ST	
23	R909401842	ROLLER	2 ST	
24	R909431016	RETAINING PLATE	1 ST	
25	R909426458	RETAINING BALL	1 ST	
31	R909153104	PLAIN ROLLER BEARING	1 ST	
32	R909154621	CRADLE BEARING ASSEMBLY (SET)	1 ST	
34	R909086229	BACK-UP PLATE	2 ST	
36	R909083362	RETAINING RING	1 ST	
37	R909083415	RETAINING RING	1 ST	
38	R909156967	SHAFT SEAL RING	1 ST	D
39	R909084461	O-RING	1 ST	D
40	R909083833	O-RING	1 ST	D
44	R909086231	SHIM	1 ST	
44	R909086230	SHIM	1 ST	
45	R909084587	SHIM	1 ST	
45	R909084586	SHIM	1 ST	
46	R909153928	CLAMPING PIN	2 ST	

Spare parts list

Part No.: R909424578
Designation: ROTARY GROUP

Product Unit
Axial Piston Units

Drawing no.: R909705094



Spare parts list

Product Unit

Axial Piston Units

Part No.: R909433368

Designation: CYLINDER WITH CONTROL PLATE

Pos.	Part No.	Designation	Quantity
1	R909433318	CYLINDER WITH BUSHING	1 ST
2	R902010104	CONTROL PLATE, RIGHT-HAND ROT.	1 ST

Spare parts list

Product Unit
Axial Piston Units

Part No.: R909414469
Designation: HYDRAULIC CONTROL

Drawing no.: R909730129

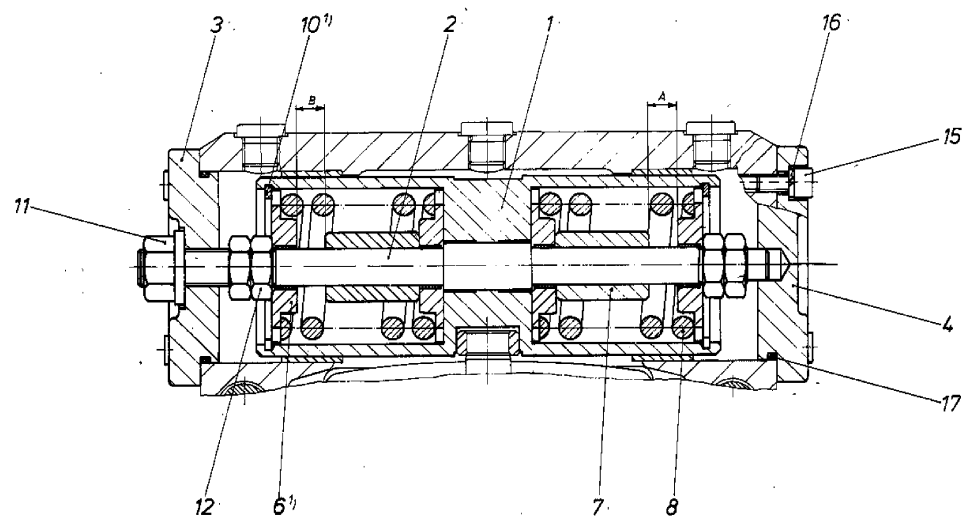
Pos.	Part No.	Designation	Quantity	
1	R902002914	POSITIONING PISTON	1 ST	
2	R909414461	ROD	1 ST	
3	R909400427	COVER	1 ST	
4	R909414457	COVER	1 ST	
6	R909405998	SPRING PLATE WITH DU-BUSH	4 ST	
7	R909921664	SPACER BUSH	1 ST	
7	R909921665	SPACER BUSH	1 ST	
7	R909444769	SPACER BUSH	2 ST	
7	R909921666	SPACER BUSH	1 ST	
7	R909921667	SPACER BUSH	1 ST	
8	R909422382	PRESSURE SPRING	2 ST	
10	R909156215	SEEGER-V-RING	2 ST	
11	R909087405	SEAL LOCK NUT	1 ST	D
12	R909154918	HEXAGON NUT	4 ST	
15	R909083018	SOCKET-HEAD SCREW	8 ST	D
16	R909083249	LOCK WASHER	8 ST	
17	R909151810	O-RING	2 ST	D

Spare parts list

Product Unit
Axial Piston Units

Part No.: R909414469
Designation: HYDRAULIC CONTROL

Drawing no.: R909730129



$A = 680 \pm 0,15$ $9,80 \pm 0,15$
 $B = 161 - M8/8$ $A \pm 0,025$ $0,05$
¹⁾ zulässiges Axialspiel: 0,02 bis 0,1 (zwischen Pos.10 und Pos.6)

Spare parts list

Product Unit
Axial Piston Units

Part No.: R909418441
Designation: PORT PLATE WITH VALVES

Drawing no.: R909705446

Pos.	Part No.	Designation	Quantity	
1	R902602249	MHDBN22K2-20/520VHP-130 #150NM	2 ST	L
2	R909427211	PRESSURE RELIEF VALVE	1 ST	L
5	R909418442	PORT PLATE	1 ST	
7	R909083141	SOCKET-HEAD SCREW	4 ST	
8	R909157084	QUAD BONDET RING	2 ST	D
9	R909083825	O-RING	1 ST	D
11	R909831318	DOUBLE BREAK-OFF PIN	1 ST	D
12	R909154478	LOCKING SCREW	3 ST	D
17	R909078295	DOUBLE BREAK-OFF PIN	1 ST	
18	R909079500	CHECK VALVE	2 ST	L
19	R909078306	CLUTCH HUB	1 ST	
22	R909153103	PLAIN ROLLER BEARING	1 ST	
23	R909152509	SNAP RING	1 ST	
26	R909153338	LOCKING SCREW	2 ST	D
27	R909151979	LOCKING SCREW	1 ST	D
28	R909087912	LOCKING SCREW	1 ST	D
40	R902601517	CLAMPING PIN	1 ST	

Spare parts list

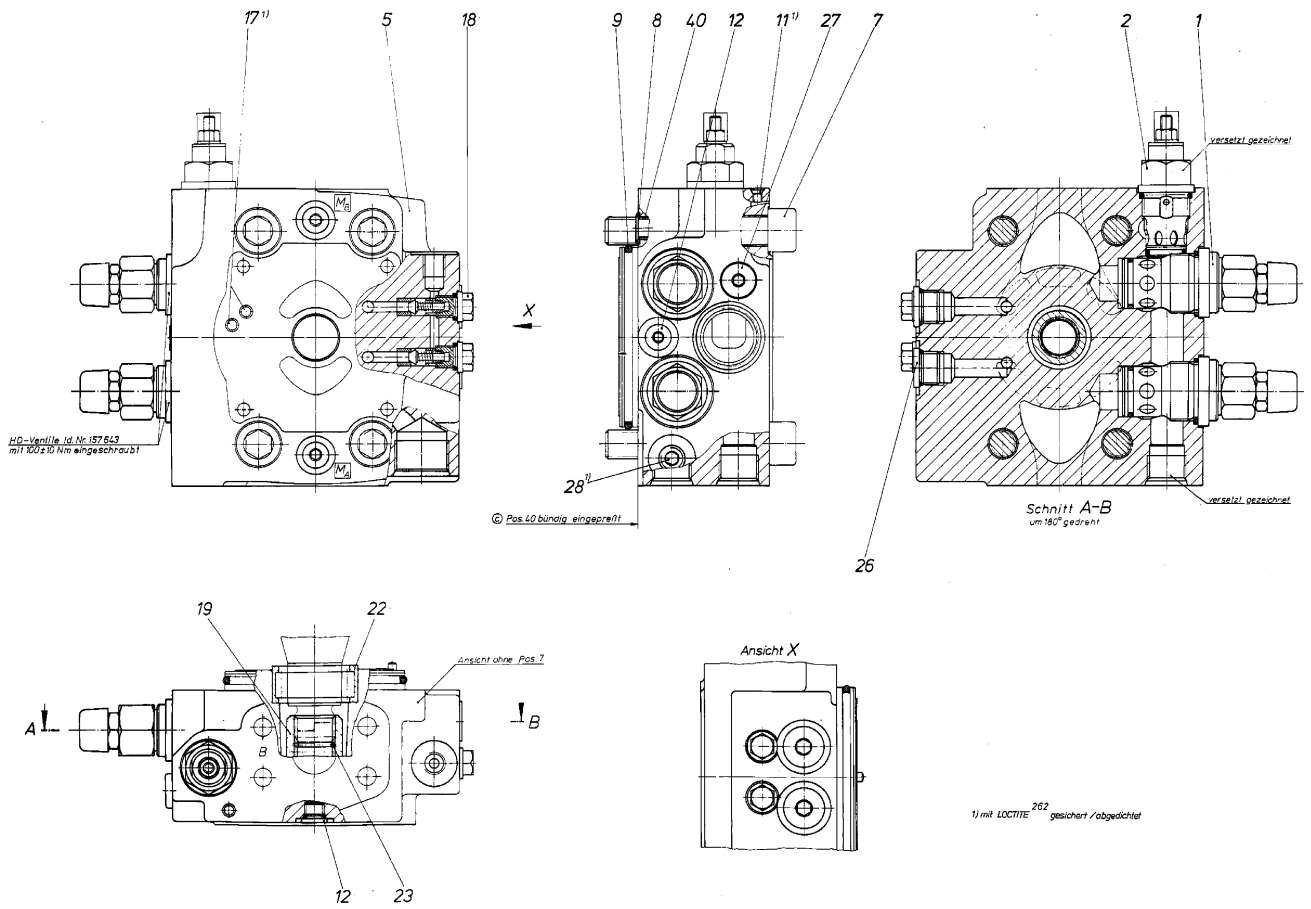
Part No.: R909418441

Designation: PORT PLATE WITH VALVES

Product Unit

Axial Piston Units

Drawing no.: R909705446



Spare parts list

Product Unit
Axial Piston Units

Part No.: R902602249

Designation: MHDBN22K2-20/520VHP-130 #150NM

Pos.	Part No.	Designation	Quantity	
1	R961003396	SEAL KIT	1 ST	D
2	R902602247	CAP	1 ST	

Spare parts list

Product Unit

Axial Piston Units

Part No.: R909427211

Designation: PRESSURE RELIEF VALVE

Drawing no.: R909730862

Pos.	Part No.	Designation	Quantity	
1	R909426513	VALVE BUSHING	1 ST	
2	R909426514	VALVE PISTON	1 ST	
3	R909435419	LOCKING SCREW	1 ST	
4	R909426516	SPRING COLLAR	2 ST	
5	R909426517	PRESSURE SPRING	1 ST	
9	R909154140	THREADED PIN	1 ST	
10	R909152425	SEAL LOCK NUT	1 ST	D
11	R909083757	O-RING	1 ST	D
12	R909083761	O-RING	1 ST	D
13	R909083758	O-RING	1 ST	D

Spare parts list

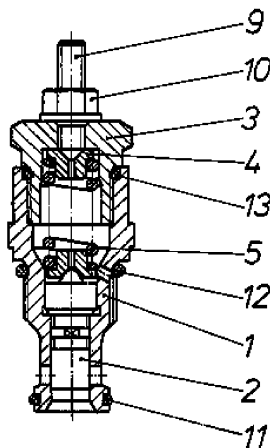
Part No.: R909427211

Designation: PRESSURE RELIEF VALVE

Product Unit

Axial Piston Units

Drawing no.: R909730862



Spare parts list

Product Unit
Axial Piston Units

Part No.: R909079500
Designation: CHECK VALVE

Drawing no.: R909731336

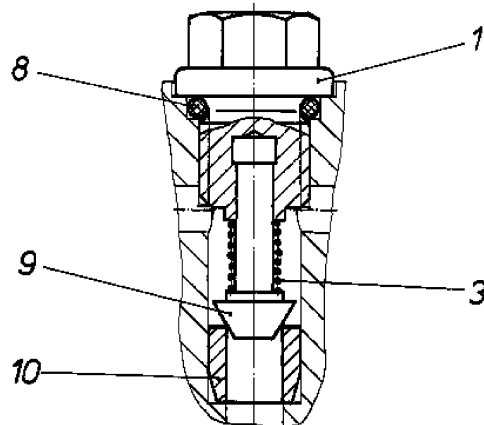
Pos.	Part No.	Designation	Quantity	
1	R909424595	VALVE SCREW	1 ST	
3	R909002466	PRESSURE SPRING	1 ST	
8	R909083749	O-RING	1 ST	D
9	R909154215	VALVE POPPET	1 ST	
10	R909085836	POPPET SEAT	1 ST	

Spare parts list

Part No.: R909079500
Designation: CHECK VALVE

Product Unit
Axial Piston Units

Drawing no.: R909731336



Spare parts list

Product Unit

Axial Piston Units

Part No.: R909403698

Designation: INTERNAL GEAR PUMP

Drawing no.: R909723560

Pos.	Part No.	Designation	Quantity	
1	R909404508	PUMP COVER	1 ST	L
5	R909069490	BEARING BUSHING	1 ST	
8	R909079493	SANDWICH PLATE	1 ST	
10	R909084162	CYLINDER PIN	2 ST	
11	R909086720	O-RING	2 ST	D
16	R909085360	O-RING	1 ST	D

L = Assembly group D = Sealing element

Status of version: 7/2006

Page: 14

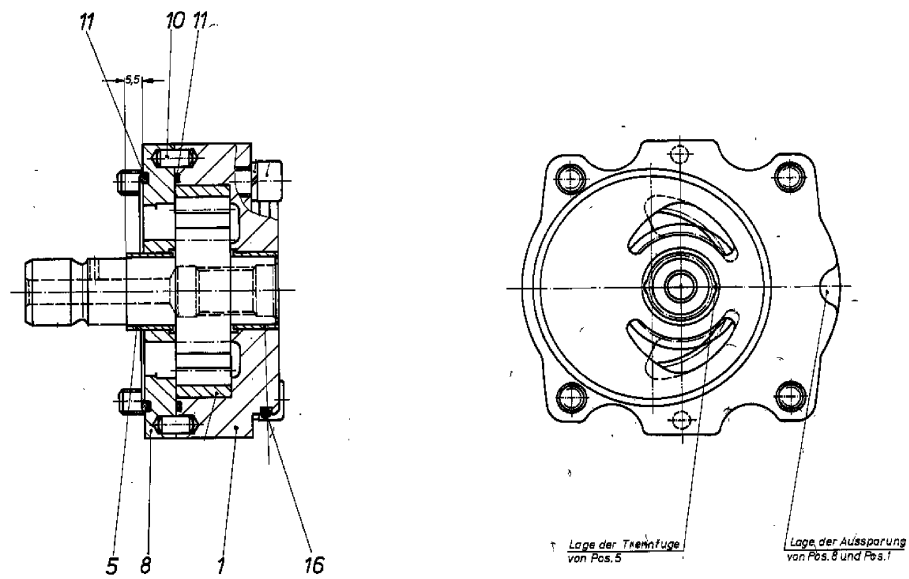
Date: 26.09.2006

Spare parts list

Part No.: R909403698
Designation: INTERNAL GEAR PUMP

Product Unit
Axial Piston Units

Drawing no.: R909723560



Spare parts list

Product Unit
Axial Piston Units

Part No.: R909404508
Designation: PUMP COVER

Drawing no.: R909723605

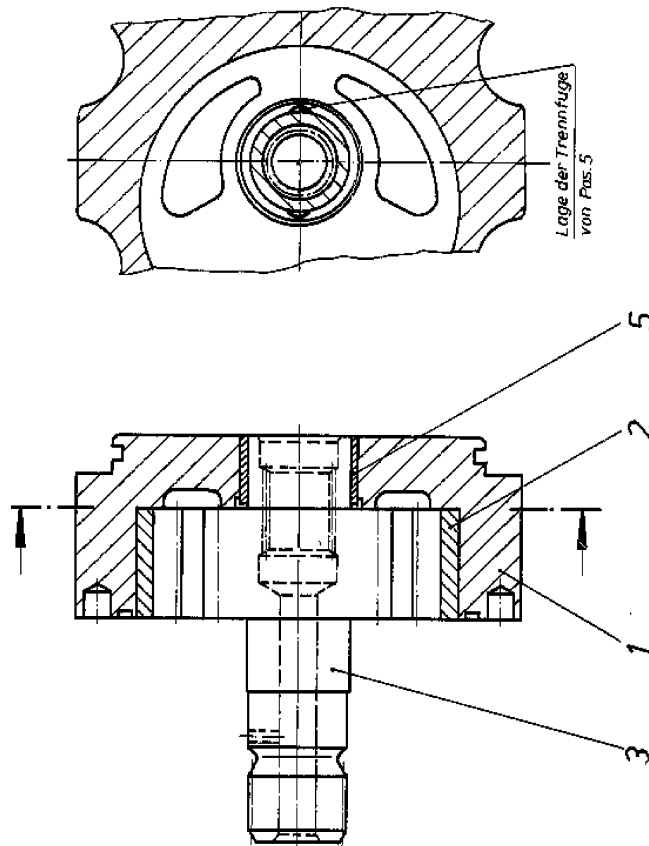
Pos.	Part No.	Designation	Quantity
1	R909080214	PUMP COVER	1 ST
2	R909444008	ANNULAR GEARS	1 ST
3	R909403699	PINION SHAFT	1 ST
5	R909069490	BEARING BUSHING	1 ST

Spare parts list

Part No.: R909404508
Designation: PUMP COVER

Product Unit
Axial Piston Units

Drawing no.: R909723605



Spare parts list

Product Unit
Axial Piston Units

Part No.: R909420961
Designation: CONTROL MODULE

Drawing no.: R909726050

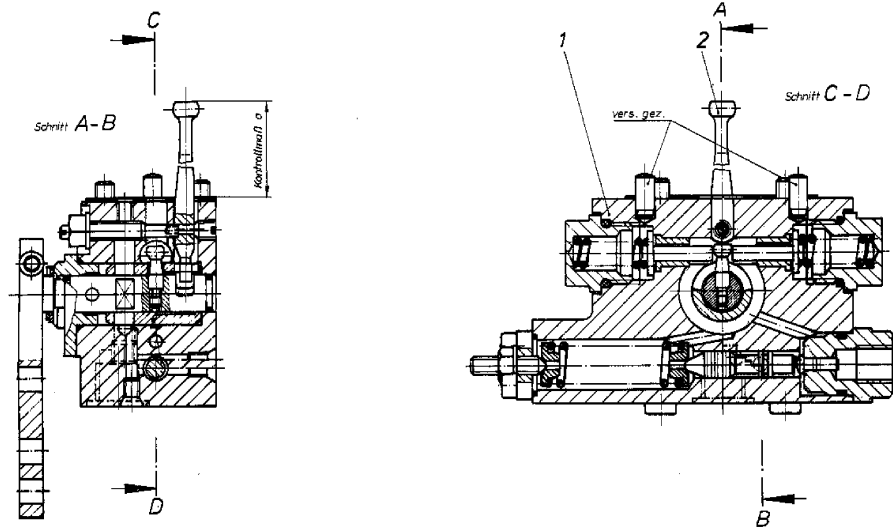
Pos.	Part No.	Designation	Quantity	
1	R909420967	CONTROL MODULE	1 ST	L
2	R909431256	FEEDBACK LEVER	1 ST	

Spare parts list

Product Unit
Axial Piston Units

Part No.: R909420961
Designation: CONTROL MODULE

Drawing no.: R909726050



Baugröße	17	19	22	25
Maß a	21,5	26,2	31,6	38,4

Spare parts list

Product Unit
Axial Piston Units

Part No.: R909420967
Designation: CONTROL MODULE

Drawing no.: R909726049

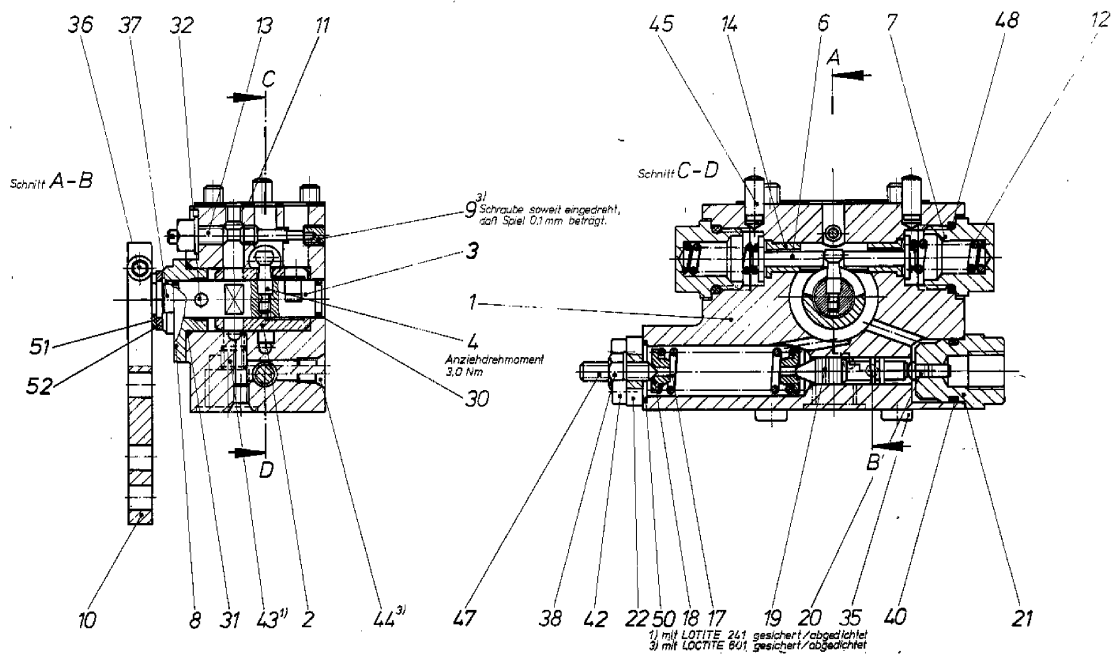
Pos.	Part No.	Designation	Quantity	
1	R909408291	HOUSING	1 ST	
2	R909439059	CONTROL BUSH	1 ST	
3	R909076420	CONTROL SHAFT	1 ST	
4	R909425121	POSITIONING TRUNNION	1 ST	
6	R909425120	BOLT	2 ST	
7	R909400335	LOCKING SCREW	2 ST	
8	R909436541	COVER	1 ST	
9	R902016196	THREADED PIN	1 ST	
10	R909401723	LEVER	1 ST	D
11	R902066611	GASKET	1 ST	D
12	R909416191	PRESSURE SPRING	2 ST	
13	R909079473	ECCENTRIC PIN	1 ST	
14	R909400336	BUSH	2 ST	
17	R909426938	PRESSURE SPRING	1 ST	D
18	R909420971	SPRING COLLAR	2 ST	
19	R909405777	CONTROL PISTON	1 ST	
20	R909435880	PISTON	1 ST	D
21	R909404572	CONNECTING HOUSING	1 ST	D
22	R909404507	COVER	1 ST	
30	R909083728	O-RING	2 ST	D
31	R909086432	O-RING	1 ST	D
32	R909156217	NEEDLE ROLLER	1 ST	
35	R909085700	SOCKET-HEAD SCREW	4 ST	D
36	R909083012	SOCKET-HEAD SCREW	1 ST	
37	R909083183	SOCKET-HEAD SCREW	2 ST	D
38	R909152425	SEAL LOCK NUT	2 ST	D
40	R909084939	O-RING	1 ST	D
42	R909083009	SOCKET-HEAD SCREW	4 ST	
43	R909153572	LOCKING SCREW	1 ST	D
44	R909831317	DOUBLE BREAK-OFF PIN	4 ST	D
45	R909087338	CYLINDER PIN	2 ST	D
47	R909157096	THREADED PIN	1 ST	
48	R909083757	O-RING	2 ST	D
50	R909083734	O-RING	1 ST	D
51	R909083346	RETAINING RING	1 ST	
52	R909086180	SHIM	1 ST	

Spare parts list

Product Unit
Axial Piston Units

Part No.: R909420967
Designation: CONTROL MODULE

Drawing no.: R909726049



Spare parts list

Product Unit

Axial Piston Units

Part No.: R909414719

Designation: CONTROL CARTRIDGE

Pos.	Part No.	Designation	Quantity	
1	R902000535	CONTROL CARTRIDGE W/O ORIFICE	1 ST	L
5	R909446273	ORIFICE	1 ST	L

Spare parts listProduct Unit
Axial Piston Units

Part No.: R902000535

Designation: CONTROL CARTRIDGE W/O ORIFICE

Drawing no.: R902115325

Pos.	Part No.	Designation	Quantity	
1	R909414721	CONTROL SCREW	1 ST	
2	R902037075	DIFFERENTIAL PISTON	1 ST	
3	R909922152	CONTROLLER PIPE	1 ST	
8	R909421327	WASHER	1 ST	
10	R909414047	SPRING COLLAR	2 ST	
12	R909408682	PRESSURE SPRING	1 ST	
14	R902037910	THREADED PIN	1 ST	
16	R909650154	RING	1 ST	
26	R909156476	CIRCLIP	1 ST	
27	R909086731	O-RING	1 ST	D
28	R909152707	SEAL LOCK NUT	1 ST	D
33	R909156498	SEEGER-V-RING	1 ST	
34	R909153847	SEEGER-V-RING	1 ST	
41	R909157287	HEXAGON NUT	1 ST	

Spare parts list

Product Unit

Axial Piston Units

Part No.: R909446273

Designation: ORIFICE

Pos.	Part No.	Designation	Quantity
21	R902117200	ORIFICE	1 ST
25	R902005292	ORIFICE	1 ST
26	R902005293	ORIFICE	1 ST
27	R902005294	ORIFICE	1 ST
28	R902005295	ORIFICE	1 ST
29	R902005296	ORIFICE	1 ST
30	R909412539	ORIFICE	1 ST
31	R909651699	ORIFICE	1 ST
32	R909651700	ORIFICE	1 ST
33	R909651701	ORIFICE	1 ST
34	R909651702	ORIFICE	1 ST
35	R909412538	ORIFICE	1 ST
36	R909439551	ORIFICE	1 ST
37	R909439552	ORIFICE	1 ST
38	R909439553	ORIFICE	1 ST
39	R909439554	ORIFICE	1 ST
40	R909411968	ORIFICE	1 ST
41	R909439555	ORIFICE	1 ST
42	R909426976	ORIFICE	1 ST
43	R909431432	ORIFICE	1 ST
44	R909431431	ORIFICE	1 ST
45	R909405865	ORIFICE	1 ST
46	R909435954	ORIFICE	1 ST
47	R909430801	ORIFICE	1 ST
48	R902004601	ORIFICE	1 ST
49	R909405866	ORIFICE	1 ST
50	R909439556	ORIFICE	1 ST
51	R909404716	ORIFICE	1 ST
52	R909439557	ORIFICE	1 ST
53	R909405867	ORIFICE	1 ST
54	R909439540	ORIFICE	1 ST
55	R909411743	ORIFICE	1 ST
56	R909444087	ORIFICE	1 ST
57	R909439558	ORIFICE	1 ST
58	R909418192	ORIFICE	1 ST
59	R909436697	ORIFICE	1 ST
60	R909408028	ORIFICE	1 ST

Spare parts list

Product Unit

Axial Piston Units

Part No.: R909446273

Designation: ORIFICE

61	R909439559	ORIFICE	1 ST
62	R909414475	ORIFICE	1 ST
63	R909435948	ORIFICE	1 ST
64	R909418666	ORIFICE	1 ST
65	R909413532	ORIFICE	1 ST
66	R909405989	ORIFICE	1 ST
67	R909404717	ORIFICE	1 ST
68	R909431899	ORIFICE	1 ST
69	R909432434	ORIFICE	1 ST
70	R909400544	ORIFICE	1 ST
71	R909401641	ORIFICE	1 ST
72	R909414233	ORIFICE	1 ST
73	R909420360	ORIFICE	1 ST
74	R909439560	ORIFICE	1 ST
75	R909412980	ORIFICE	1 ST
76	R909439561	ORIFICE	1 ST
77	R909410444	ORIFICE	1 ST
78	R909418448	ORIFICE	1 ST
79	R909408029	ORIFICE	1 ST
80	R909426448	ORIFICE	1 ST
81	R909439562	ORIFICE	1 ST
82	R909401638	ORIFICE	1 ST
83	R909408013	ORIFICE	1 ST
84	R909408030	ORIFICE	1 ST
85	R909410445	ORIFICE	1 ST
86	R909439563	ORIFICE	1 ST
87	R909417842	ORIFICE	1 ST
88	R909439564	ORIFICE	1 ST
89	R909439565	ORIFICE	1 ST
90	R909410446	ORIFICE	1 ST
95	R909420285	ORIFICE	1 ST

Spare parts list

Product Unit

Axial Piston Units

Part No.: R909408042

Designation: PUMP SUPPORT PLATE

Drawing no.: R909732089

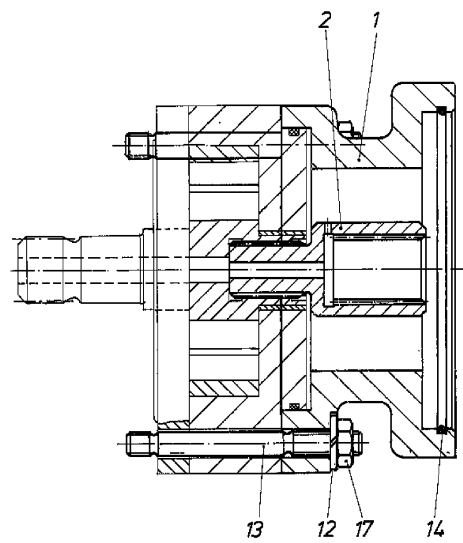
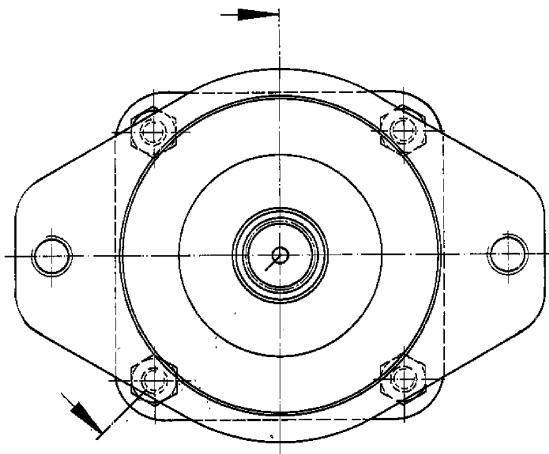
Pos.	Part No.	Designation	Quantity	
1	R909430540	FLANGE	1 ST	
2	R909403695	COUPLING PIECE	1 ST	
12	R909083275	SHIM	4 ST	
13	R909154623	STUD SCREW	4 ST	
14	R909154589	O-RING	1 ST	D
17	R909083612	HEXAGON NUT	4 ST	

Spare parts list

Part No.: R909408042
Designation: PUMP SUPPORT PLATE

Product Unit
Axial Piston Units

Drawing no.: R909732089



Spare parts list

Product Unit

Axial Piston Units

Part No.: R909405950

Designation: HOUSING WITH BUSH

Pos.	Part No.	Designation	Quantity
1	R909401780	HOUSING	1 ST
2	R909405909	BUSH	2 ST

Spare parts list

Product Unit
Axial Piston Units

Part No.: R909400356
Designation: PIPE WITH ACCESORIES

Drawing no.: R909731545

Pos.	Part No.	Designation	Quantity	
2	R909400359	PIPE WITH WELDED RING SUPPORTS	1 ST	
3	R909153218	SEAL RING	2 ST	D
4	R909084037	SEAL RING	2 ST	D
5	R909154383	HOLLOW SCREW	2 ST	

Spare parts list

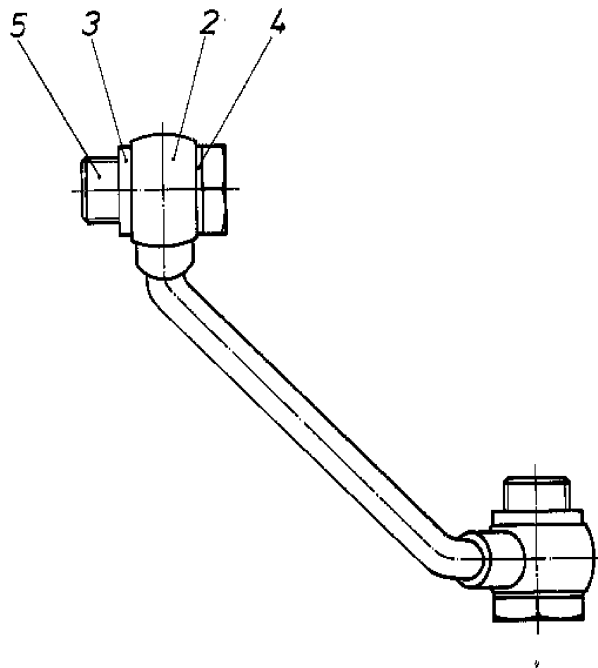
Part No.: R909400356

Designation: PIPE WITH ACCESORIES

Product Unit

Axial Piston Units

Drawing no.: R909731545



Spare parts list

Product Unit
Axial Piston Units

Part No.: R909416182
Designation: HYDRAULIC LINE

Drawing no.: R909731671

Pos.	Part No.	Designation	Quantity
1	R909416181	PIPE	1 ST
3	R909083315	FITTING	1 ST
4	R909152011	FITTING	1 ST

Spare parts list

Part No.: R909416182
Designation: HYDRAULIC LINE

Product Unit
Axial Piston Units

Drawing no.: R909731671

