

Spare parts list

Product Unit
Axial Piston Units

Part No.: R902026969
Designation: A4VG71HDDT1/32L-NZF02F021F *G*

Drawing no.: R902007188

Pos.	Part No.	Designation	Quantity	
1	R909607776	ROTARY GROUP	1 ST	L
2	R902016300	CONTROL, HYDRAULIC	1 ST	L
3	R909609869	PORT PLATE WITH VALVES	1 ST	L
4	R909606663	INTERNAL GEAR PUMP ASSEMBLY	1 ST	L
5	R909428137	CONTROL MODULE	1 ST	L
6	R902019631	FILTER	1 ST	L
10	R902003862	HOUSING	1 ST	
13	R909449714	JOINT PIN	2 ST	
14	R909405732	DOWEL PIN	1 ST	
20	R909153891	LOCKING SCREW	2 ST	D
21	R909151979	LOCKING SCREW	1 ST	
22	R909151692	LOCKING SCREW	6 ST	D
24	R909083228	LOCKING SCREW	1 ST	D
25	R909086731	O-RING	1 ST	D
26	R909153572	LOCKING SCREW	1 ST	D
27	R909831318	DOUBLE BREAK-OFF PIN	1 ST	
28	R909156493	ORIFICE	2 ST	D
31	R909156579	CLAMPING PIN	2 ST	D
32	R909153364	LOCKING SCREW	2 ST	D
37	R909087913	LOCKING SCREW	1 ST	D
46	R909154982	THREADED PIN	1 ST	D
47	R909087405	SEAL LOCK NUT	1 ST	D
48	R909153815	LOCKING SCREW	1 ST	D
49	R909156497	ORIFICE	1 ST	

Safety Notes:

Service – and repair works have to be carried out by the Bosch Rexroth AG or their repair stations only. We do not grant any warranty for defects due to assembly, maintenance or repair not effected by the Bosch Rexroth AG or their repair stations.

Spare parts list

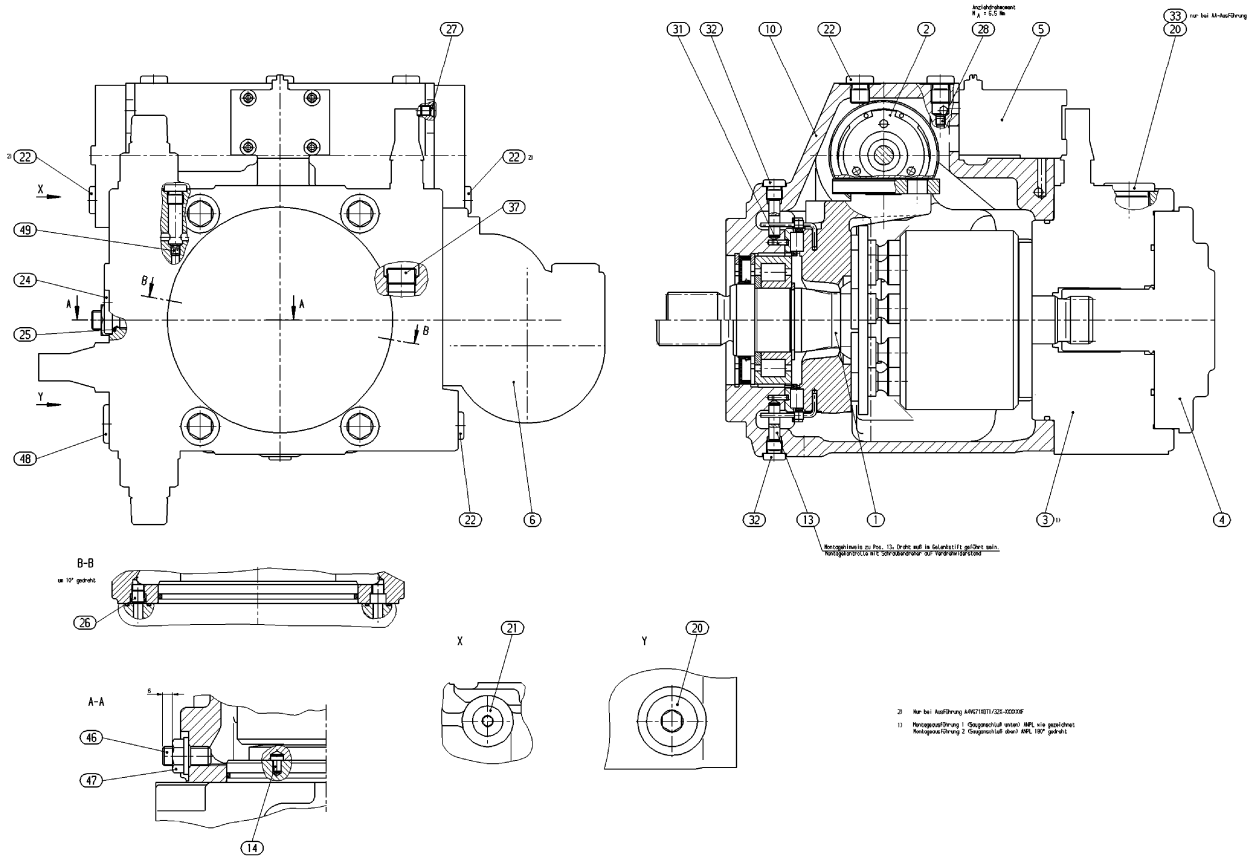
Product Unit
Axial Piston Units

Part No.: R902026969

Designation: A4VG71HDDT1/32L-NZF02F021F

G

Drawing no.: R902007188



Spare parts listProduct Unit
Axial Piston UnitsPart No.: R909607776
Designation: ROTARY GROUP

Drawing no.: R902079243

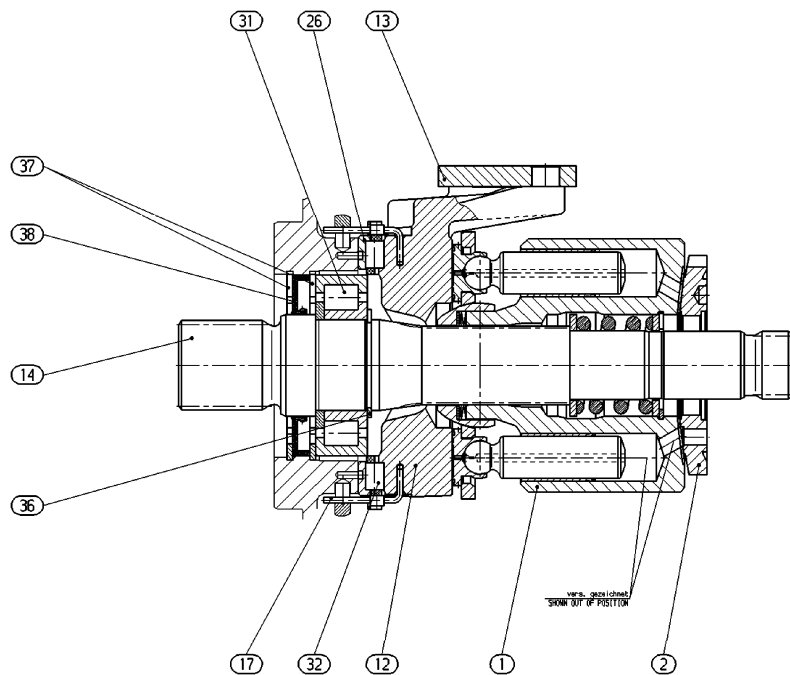
Pos.	Part No.	Designation	Quantity	
1	R902079247	ROTARY GROUP, HYDR. SECTION	1 ST	L
2	R902007627	CONTROL PLATE	1 ST	
12	R909443361	CRADLE	1 ST	
13	R909449810	SLIDE RING	1 ST	
14	R909921938	DRIVE SHAFT	1 ST	
17	R909076233	WIRE	2 ST	
26	R902066586	BEARING LINER (PAIR)	1 ST	
31	R909153104	PLAIN ROLLER BEARING	1 ST	
32	R909830152	CRADLE BEARING ASSEMBLY (SET)	1 ST	
36	R909083362	RETAINING RING	1 ST	
37	R902600001	RETAINING RING	2 ST	
38	R902601794	WDR BABSL10FX2 45X 80X 7-FKM	1 ST	D
98	R902002389	SEAL KIT DRIVE SHAFT	1 ST	

Spare parts list

Part No.: R909607776
Designation: ROTARY GROUP

Product Unit
Axial Piston Units

Drawing no.: R902079243



Spare parts list

Product Unit

Axial Piston Units

Part No.: R902079247

Designation: ROTARY GROUP, HYDR. SECTION

Drawing no.: R902079250

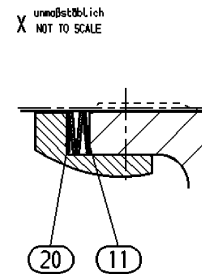
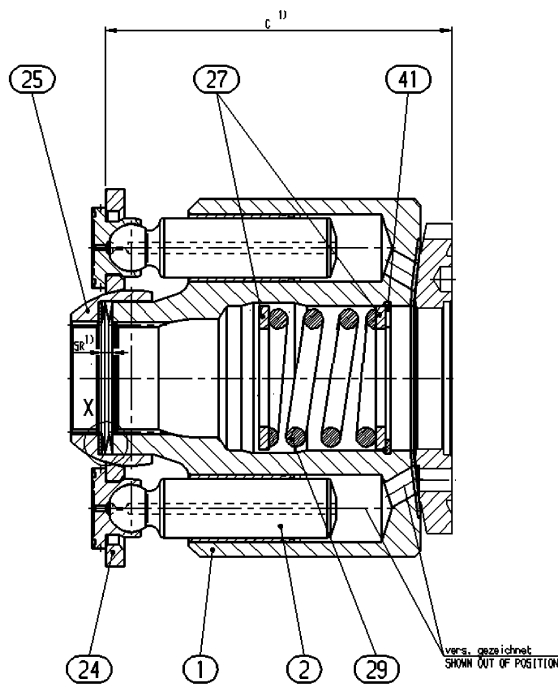
Pos.	Part No.	Designation	Quantity
1	R909443972	CYLINDER WITH BUSHING	1 ST
2	R909416736	PISTON-SLIPPER PAD	9 ST
11	R909921901	CUP-SPRING STACK	1 ST
20	R909432988	SHIM	1 ST
20	R909432989	SHIM	1 ST
20	R909432987	SHIM	1 ST
20	R909432990	SHIM	1 ST
24	R909921904	RETAINING PLATE	1 ST
25	R909921905	RETAINING BALL	1 ST
27	R909921903	WASHER	2 ST
29	R909435254	PRESSURE SPRING	1 ST
41	R909083403	RETAINING RING	1 ST

Spare parts list

Product Unit
Axial Piston Units

Part No.: R902079247
Designation: ROTARY GROUP, HYDR. SECTION

Drawing no.: R902079250



- 1) Abstimmmaß C bei $\alpha = 0^\circ$
 Abstimmung mit Pos.20 und Simulation SR = 3.58 $\begin{matrix} +0.01 \\ -0.00 \end{matrix}$
 C = 108.7 $\begin{matrix} -0.2 \end{matrix}$
- 1) TUNING DIMENSION C WITH $\alpha = 0^\circ$
 TUNING WITH POS.20, SIMULATION RING SR = 3.58 $\begin{matrix} +0.01 \\ -0.00 \end{matrix}$
 C = 108.7 $\begin{matrix} -0.2 \end{matrix}$

Spare parts list

Product Unit

Axial Piston Units

Part No.: R902016300

Designation: CONTROL, HYDRAULIC

Drawing no.: R902020316

Pos.	Part No.	Designation	Quantity	
1	R902020313	POSITIONING PISTON	1 ST	L
3	R902016301	COVER	1 ST	
4	R902016302	COVER	1 ST	
16	R909154918	HEXAGON NUT	1 ST	
17	R909084744	SOCKET-HEAD SCREW	8 ST	
20	R909084482	O-RING	2 ST	D
30	R902600837	GUIDE RING	2 ST	D
31	R902600196	TURCON-GLYD-RING	2 ST	D
98	R902002372	SEAL KIT HYDR. CONTROL	1 ST	

Spare parts list

Product Unit
Axial Piston Units

Part No.: R902016300
Designation: CONTROL, HYDRAULIC

Drawing no.: R902020316

Variante 1

Ausführung mit externer Schwenkwinkelbegrenzung



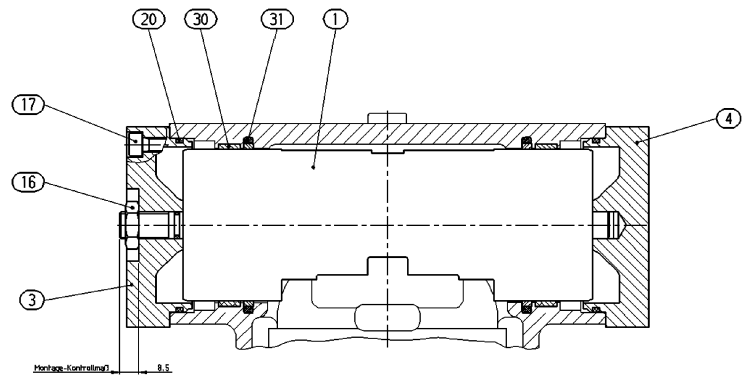
Variante 2

Ausführung mit X3- und X4-Anschlüssen



Variante 3

Ausführung mit externer Schwenkwinkelbegrenzung
und X3- und X4-Anschlüssen



Spare parts list

Product Unit
Axial Piston Units

Part No.: R902020313
Designation: POSITIONING PISTON

Drawing no.: R902020317

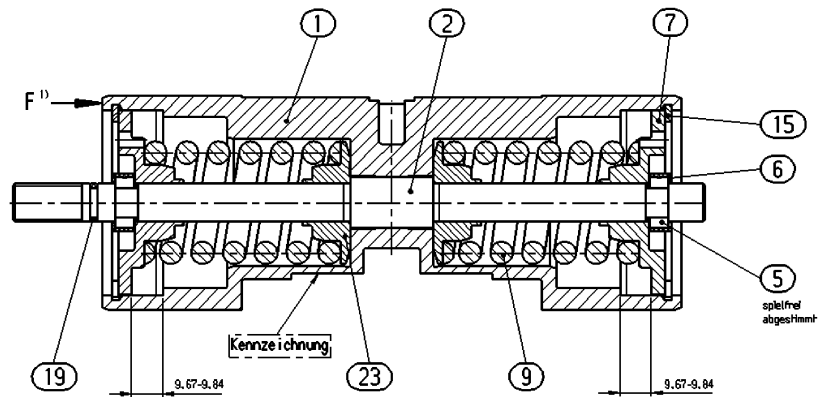
Pos.	Part No.	Designation	Quantity	
1	R902004843	POSITIONING PISTON	1 ST	
2	R909449239	ROD	1 ST	
5	R902013493	RING	2 ST	
5	R902015509	RING	2 ST	
5	R902015510	RING	2 ST	
5	R902015511	RING	2 ST	
5	R902015512	RING	2 ST	
5	R902015508	RING	2 ST	
5	R902015514	RING	2 ST	
5	R902015513	RING	2 ST	
6	R902600489	ASSEMBLY RING	2 ST	
7	R902020101	SPRING COLLAR	2 ST	
9	R909432979	PRESSURE SPRING	2 ST	
15	R909084557	RETAINING RING	2 ST	
19	R909085709	O-RING	1 ST	D
23	R909449248	SPRING COLLAR	2 ST	

Spare parts list

Product Unit
Axial Piston Units

Part No.: R902020313
Designation: POSITIONING PISTON

Drawing no.: R902020317



1) Stellkolben, komplett		
Federkraft	bei 5 bar-10 bar	bei 5 bar-15,7 bar
F ₁ [N]	1675 ±153,4	1662 ±240,6
F ₂ [N]	3324 ±169	5130 ±273,4

Spare parts list

Product Unit
Axial Piston Units

Part No.: R909609869
Designation: PORT PLATE WITH VALVES

Drawing no.: R909705321

Pos.	Part No.	Designation	Quantity	
1	R902602249	MHDBN22K2-20/520VHP-130 #150NM	2 ST	L
2	R909434856	PRESSURE RELIEF VALVE	1 ST	L
3	R909437084	PRESSURE OVERRIDE VALVE	1 ST	L
5	R909650883	PORT PLATE	1 ST	
6	R909449136	BEARING BUSHING	1 ST	
7	R909083141	SOCKET-HEAD SCREW	4 ST	
9	R909085947	O-RING	1 ST	
11	R909831318	DOUBLE BREAK-OFF PIN	2 ST	
12	R909153364	LOCKING SCREW	1 ST	D
13	R909154024	LOCKING SCREW	3 ST	D
26	R909085709	O-RING	2 ST	D
35	R909151692	LOCKING SCREW	2 ST	D
43	R909444842	BUSH	1 ST	
44	R909426654	BEARING BUSHING	1 ST	
47	R909086333	O-RING	2 ST	D
48	R909831319	DOUBLE BREAK-OFF PIN	1 ST	D
98	R902002399	SEAL KIT PORT PLATE WITH VALVES	1 ST	

Spare parts list

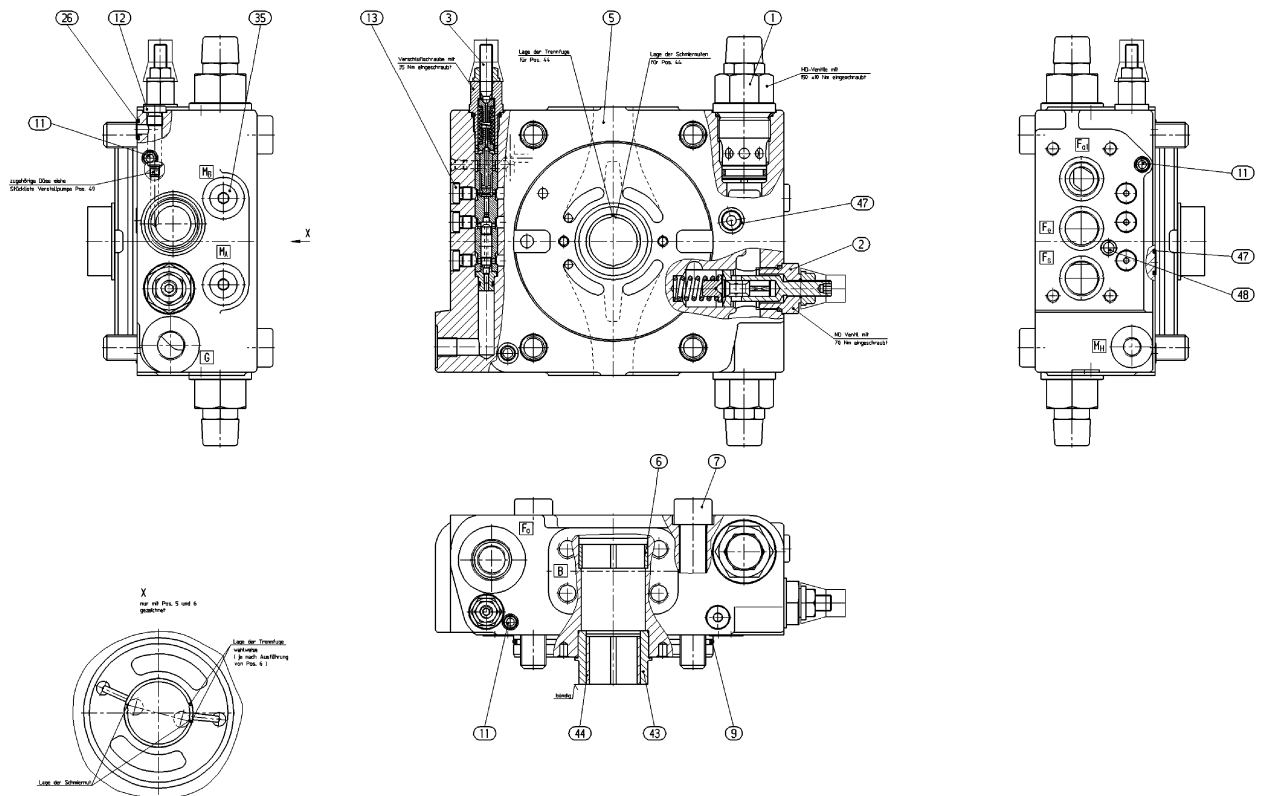
Part No.: R909609869

Designation: PORT PLATE WITH VALVES

Product Unit

Axial Piston Units

Drawing no.: R909705321



Spare parts list

Product Unit
Axial Piston Units

Part No.: R902602249

Designation: MHDBN22K2-20/520VHP-130 #150NM

Pos.	Part No.	Designation	Quantity	
1	R902600123	SEAL KIT	1 ST	D
2	R902602247	CAP	1 ST	

Spare parts list

Product Unit

Axial Piston Units

Part No.: R909434856

Designation: PRESSURE RELIEF VALVE

Drawing no.: R909730913

Pos.	Part No.	Designation	Quantity	
1	R909436167	LOCKING SCREW	1 ST	
2	R909449622	ADJUSTING SCREW	1 ST	
3	R909435899	VALVE PISTON	1 ST	
4	R902010336	SPRING COLLAR	1 ST	
5	R909440765	PRESSURE SPRING	1 ST	
8	R909083761	O-RING	1 ST	D
9	R909153271	SEAL LOCK NUT	1 ST	D

Spare parts list

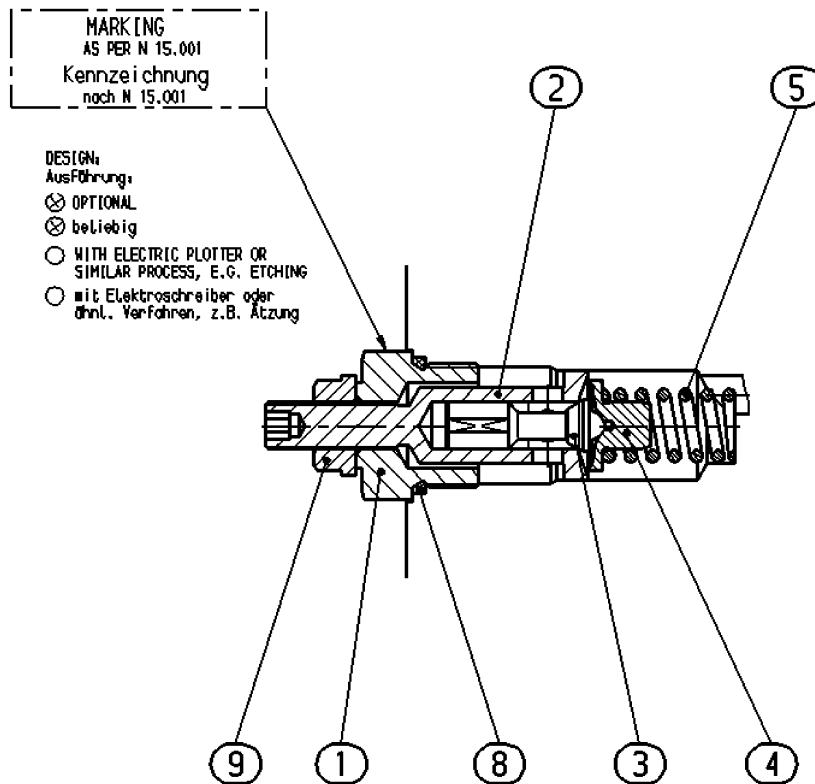
Part No.: R909434856

Designation: PRESSURE RELIEF VALVE

Product Unit

Axial Piston Units

Drawing no.: R909730913



Spare parts list

Product Unit

Axial Piston Units

Part No.: R909437084

Designation: PRESSURE OVERRIDE VALVE

Drawing no.: R909731050

Pos.	Part No.	Designation	Quantity	
1	R909432161	LOCKING SCREW	1 ST	
2	R909425951	VALVE BUSHING	1 ST	
3	R909432162	CONTROL PISTON	1 ST	
4	R909432163	PISTON	1 ST	
5	R909432164	VALVE PISTON	1 ST	
6	R909436284	POPPET SEAT	1 ST	
7	R902009402	PRESSURE SPRING	1 ST	
8	R902043092	SPRING COLLAR	2 ST	
9	R909432167	ADJUSTING SCREW	1 ST	
10	R909083752	O-RING	1 ST	D
14	R909152707	SEAL LOCK NUT	1 ST	D
15	R909086380	O-RING	1 ST	D

Spare parts list

Part No.: R909437084

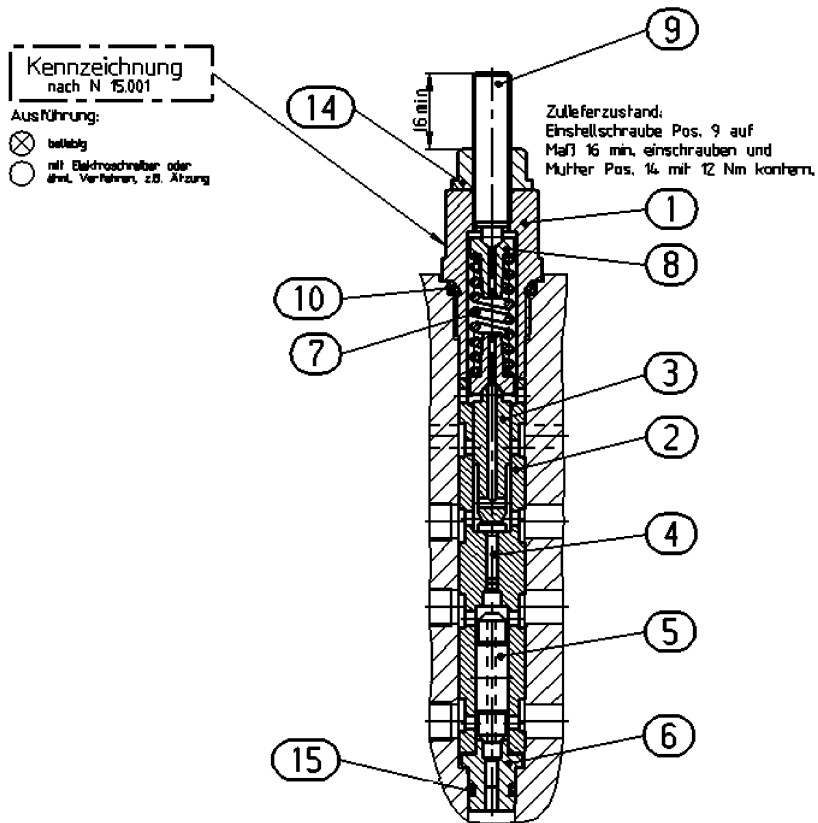
Designation: PRESSURE OVERRIDE VALVE

Product Unit

Axial Piston Units

Drawing no.: R909731050

Zum Blockieren der Druckabschneidung beim Überprüfen der Hochdruckventile die Einstellschraube Pos. 9 mit gelöster Kontermutter Pos. 14 bis zum Anschlag mit max. 2 Nm im drucklosen Zustand eindrehen !



Spare parts list

Product Unit

Axial Piston Units

Part No.: R909606663

Designation: INTERNAL GEAR PUMP ASSEMBLY

Drawing no.: R902077732

Pos.	Part No.	Designation	Quantity	
1	R902077997	INTERNAL GEAR PUMP	1 ST	L
2	R902077978	WEAR PLATE COMPLETE	1 ST	L
3	R902602447	LOCKING PLUG	2 ST	
98	R902002411	SEAL KIT INTERNAL GEAR PUMP	1 ST	

Spare parts list

Part No.: R909606663

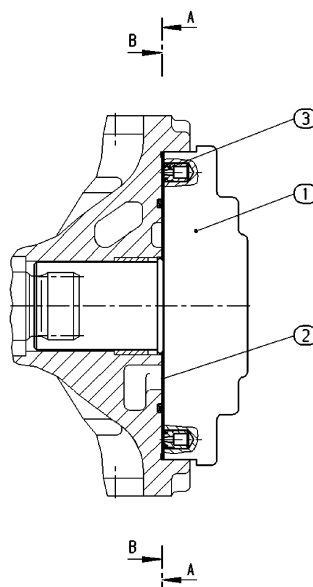
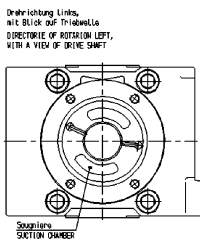
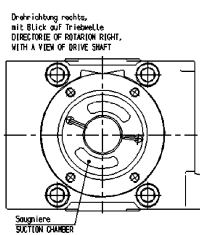
Designation: INTERNAL GEAR PUMP ASSEMBLY

Product Unit

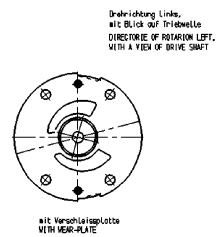
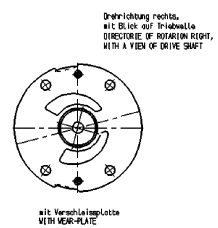
Axial Piston Units

Drawing no.: R902077732

A-A 1:2,5



B-B 1:2,5



Spare parts list

Product Unit
Axial Piston Units

Part No.: R902077997
Designation: INTERNAL GEAR PUMP

Drawing no.: R909723596

Pos.	Part No.	Designation	Quantity	
1	R909444589	INTERMEDIATE FLANGE	1 ST	
2	R902077946	PUMP COVER	1 ST	
3	R909449136	BEARING BUSHING	1 ST	
4	R909431554	CENTERING RING	1 ST	
5	R902013157	THROUGH-DRIVE SHAFT	1 ST	
7	R902006258	WHEEL SET	1 ST	
8	R902025649	SHAFT KEY	1 ST	
9	R909156930	SNAP RING	1 ST	
10	R909083060	SOCKET-HEAD SCREW	4 ST	
11	R909083189	SOCKET-HEAD SCREW	6 ST	
12	R909086679	O-RING	1 ST	D
15	R909152493	SEAL RING	6 ST	D
18	R909085363	O-RING	1 ST	D
19	R909154589	O-RING	1 ST	D
20	R909085360	O-RING	1 ST	D

Spare parts list

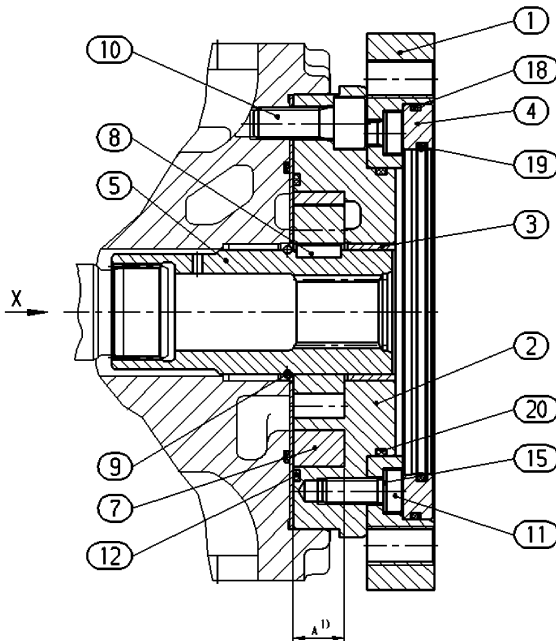
Part No.: R902077997

Designation: INTERNAL GEAR PUMP

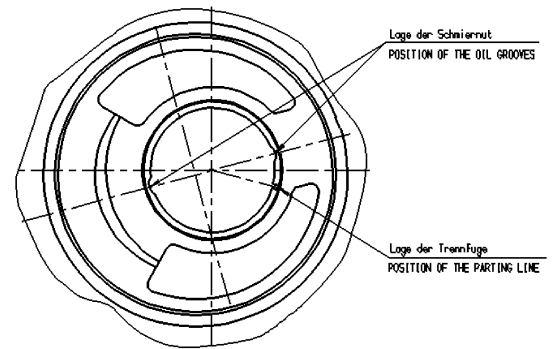
Product Unit

Axial Piston Units

Drawing no.: R909723596



X nur mit Pos. 2 u. 3
gezeichnet.
DRAWN ONLY WITH
POSITION 2 AND 3



1) Pos. 7 in Pos. 2 mit
Axialspiel "A" eingepaßt
POS. 7 IN POS. 2 WITH
END CLEARANCE "A" FITTED

Axialspiel "A" END CLEARANCE "A"					
N6					
71	<table border="1"> <tr> <td>Hohlrad INTERNAL GEAR</td> <td>Außenverzähntes Innenrad EXTERNAL GEAR</td> </tr> <tr> <td>30 - 40 µm</td> <td>30 - 40 µm</td> </tr> </table>	Hohlrad INTERNAL GEAR	Außenverzähntes Innenrad EXTERNAL GEAR	30 - 40 µm	30 - 40 µm
Hohlrad INTERNAL GEAR	Außenverzähntes Innenrad EXTERNAL GEAR				
30 - 40 µm	30 - 40 µm				

Spare parts list

Product Unit
Axial Piston Units

Part No.: R902077978
Designation: WEAR PLATE COMPLETE

Drawing no.: R902090839

Pos.	Part No.	Designation	Quantity	
1	R902077959	WEAR PLATE	1 ST	
3	R909086679	O-RING	1 ST	D

Spare parts list

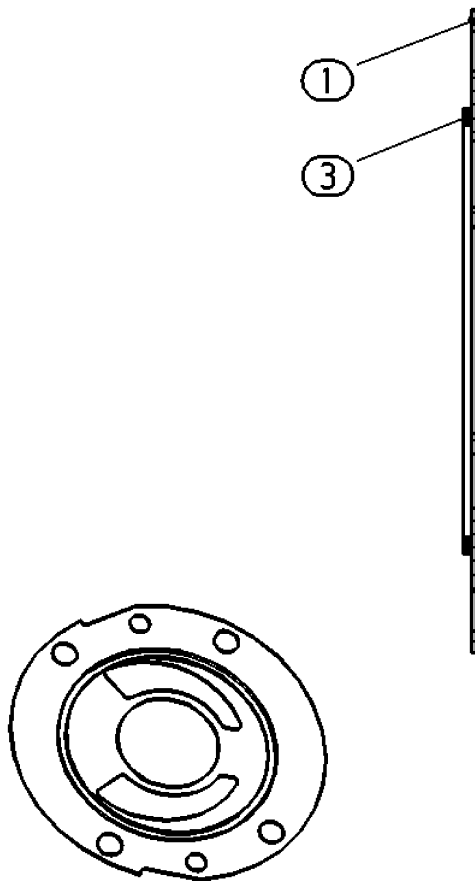
Part No.: R902077978

Designation: WEAR PLATE COMPLETE

Product Unit

Axial Piston Units

Drawing no.: R902090839



Spare parts list

Product Unit

Axial Piston Units

Part No.: R909428137

Designation: CONTROL MODULE

Drawing no.: R909726105

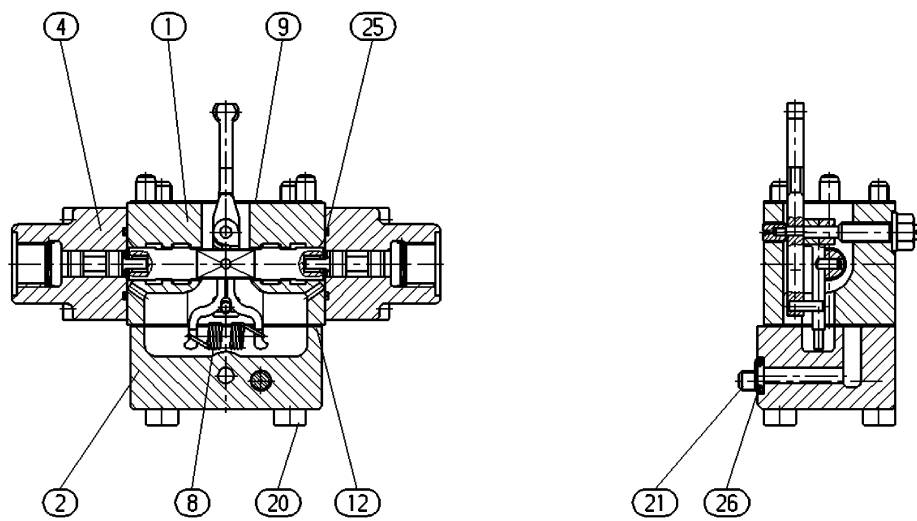
Pos.	Part No.	Designation	Quantity	
1	R909428136	CONTROL MODULE	1 ST	L
2	R902046034	COVER	1 ST	
4	R909446129	CONTROL MODULE ASSEMBLY	2 ST	L
8	R909921218	DRAW SPRING	1 ST	
9	R902066611	GASKET	1 ST	D
12	R902050037	GASKET	1 ST	D
20	R909085831	SOCKET-HEAD SCREW	4 ST	D
21	R909083027	SOCKET-HEAD SCREW	1 ST	
25	R909083737	O-RING	2 ST	D
26	R902600655	O-RING	1 ST	D
98	R902002395	SEAL KIT CONTROL MODULE	1 ST	

Spare parts list

Part No.: R909428137
Designation: CONTROL MODULE

Product Unit
Axial Piston Units

Drawing no.: R909726105



Spare parts list

Product Unit

Axial Piston Units

Part No.: R909428136

Designation: CONTROL MODULE

Drawing no.: R909726103

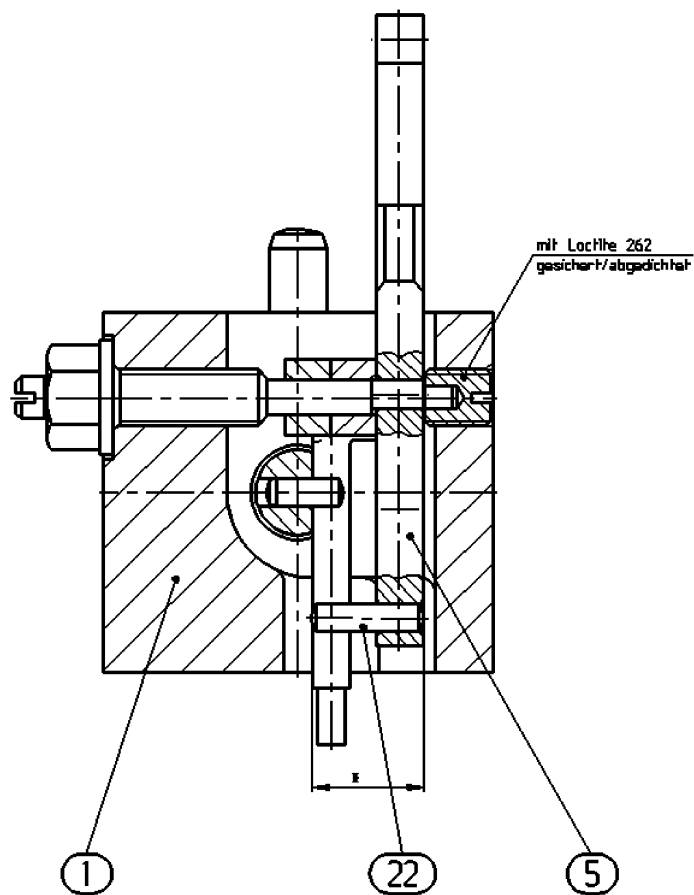
Pos.	Part No.	Designation	Quantity	
1	R909446128	CONTROL HOUSING WITH ACCESSOR.	1 ST	L
5	R909430319	FEEDBACK LEVER	1 ST	
22	R909151552	NEEDLE ROLLER	1 ST	

Spare parts list

Part No.: R909428136
Designation: CONTROL MODULE

Product Unit
Axial Piston Units

Drawing no.: R909726103



※ Gewindestift soweit eingedreht, das Spiel zwischen Oberkante Gewindestift und Unterkante Steuerkolben 0,1 mm beträgt

Spare parts list

Product Unit

Axial Piston Units

Part No.: R909446128

Designation: CONTROL HOUSING WITH ACCESSOR.

Drawing no.: R909726076

Pos.	Part No.	Designation	Quantity	
1	R909650739	HOUSING	1 ST	
3	R909417412	CONTROL PISTON WITH CYL.PIN	1 ST	
4	R909417155	LEVER	2 ST	
6	R909449837	ECCENTRIC PIN	1 ST	
7	R902016196	THREADED PIN	1 ST	
13	R909087338	CYLINDER PIN	2 ST	D
21	R909152425	SEAL LOCK NUT	1 ST	D

Spare parts list

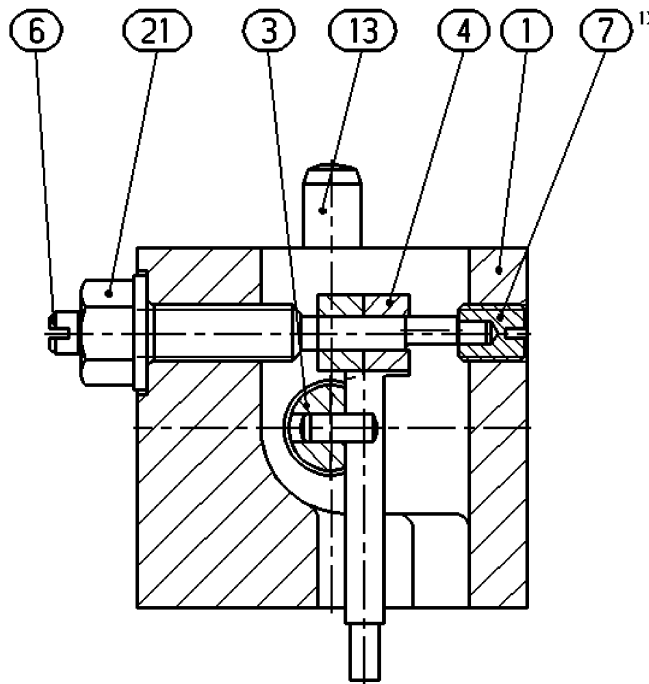
Part No.: R909446128

Designation: CONTROL HOUSING WITH ACCESSOR.

Product Unit

Axial Piston Units

Drawing no.: R909726076



1) mit Precote beschichtet

Spare parts list

Product Unit
Axial Piston Units

Part No.: R909446129
Designation: CONTROL MODULE ASSEMBLY

Drawing no.: R909726077

Pos.	Part No.	Designation	Quantity
1	R909651539	HOUSING	1 ST
2	R909439379	PISTON	1 ST
5	R909083005	SOCKET-HEAD SCREW	4 ST
6	R909156539	SNAP RING	1 ST

Spare parts list

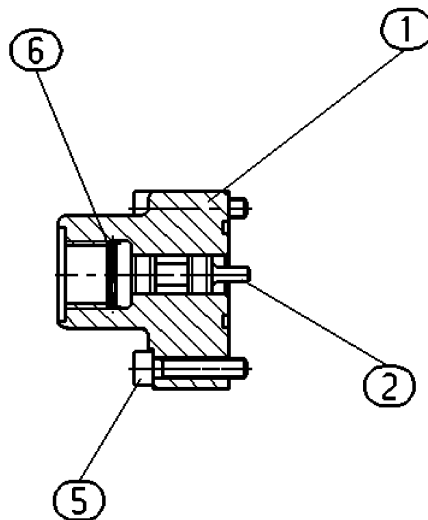
Part No.: R909446129

Designation: CONTROL MODULE ASSEMBLY

Product Unit

Axial Piston Units

Drawing no.: R909726077



Spare parts list

Product Unit

Axial Piston Units

Part No.: R902019631

Designation: FILTER

Drawing no.: R909732388

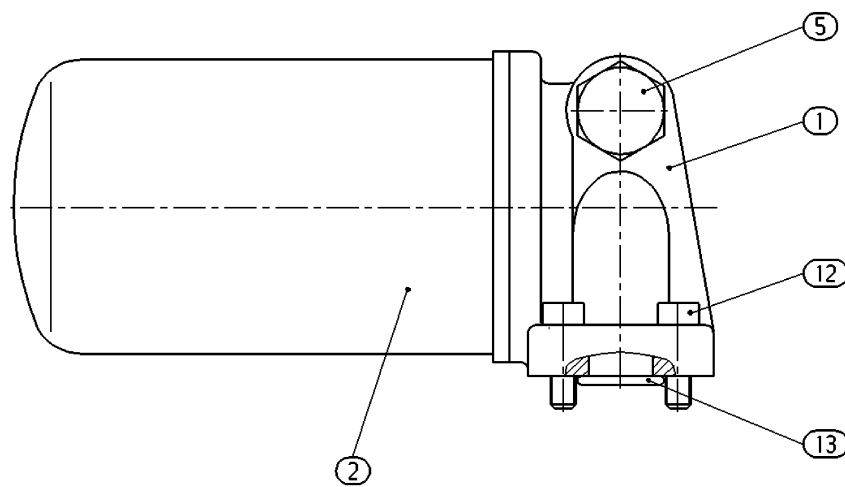
Pos.	Part No.	Designation	Quantity	
1	R902018840	FILTER HEAD, COMPLETE	1 ST	L
2	R909157926	INTERCHANGEABLE FILTER	1 ST	
5	R909831440	LOCKING SCREW	1 ST	
12	R909083038	SOCKET-HEAD SCREW	4 ST	
13	R909086517	O-RING	3 ST	D
98	R902002432	SEAL KIT FILTER	1 ST	

Spare parts list

Part No.: R902019631
Designation: FILTER

Product Unit
Axial Piston Units

Drawing no.: R909732388



1) Anziehdrehmoment MA = 50-60 Nm

1) Montage des Wechselfilters Pos. 2:

Dichtring am Wechselfilter leicht einölen
Wechselfilter von Hand bis auf Anschlag eindrehen
Wechselfilter mit Bandschlüssel um 30° weiterdrehen

Spare parts list

Product Unit

Axial Piston Units

Part No.: R902018840

Designation: FILTER HEAD, COMPLETE

Drawing no.: R909732393

Pos.	Part No.	Designation	Quantity	
1	R902017170	FILTER HEAD	1 ST	
2	R909650232	VALVE PISTON	1 ST	
3	R909650231	POPPET SEAT	1 ST	
5	R909651439	PRESSURE SPRING	1 ST	
7	R909831316	DOUBLE BREAK-OFF PIN	1 ST	
8	R909831978	O-RING	1 ST	D

Spare parts list

Part No.: R902018840

Designation: FILTER HEAD, COMPLETE

Product Unit

Axial Piston Units

Drawing no.: R909732393

