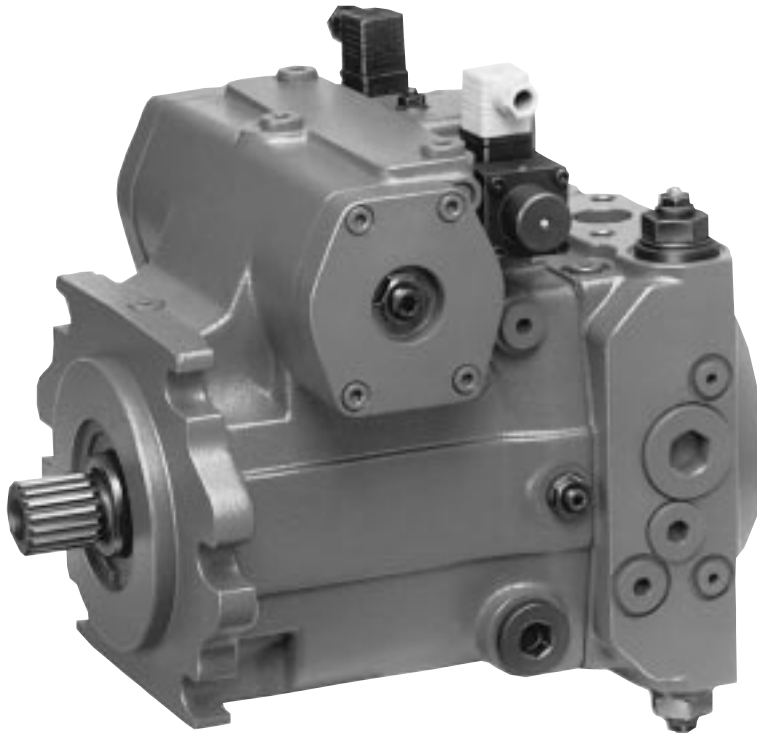


**MANNESMANN  
REXROTH**

Mobile Division

**E**

**Service Parts List**



**AA4VG**

Series 32  
Size 90

RA 92003-05-E  
02.97

## Ordering of AA4VG Parts

For Rexroth to supply the correct parts for your unit, please include all of the following information with your parts order.

TYPE CODE  
 TYPE NUMBER  
 SERIAL NUMBER  
 PART NUMBER  
 PART NAME

Due to modifications and improvements to our products, minor changes can occur to the parts, even though the type code may not necessarily reflect these changes. The type number and serial number will guarantee that the correct parts for your unit are supplied.

<b>HYDROMATIK GMBH ULM (DONAU)</b>		
<b>THE REXROTH CORP., WOOSTER, OHIO</b>		
TYPE		
AA4VG56HDD1/32R-NTC5K045E		
NO		
245.17.05.03		
SERIAL NO.	YEAR	MINERAL OIL
4154287	12.96	OIL
MADE IN GERMANY		
ROTATION		

### ORDERING EXAMPLE

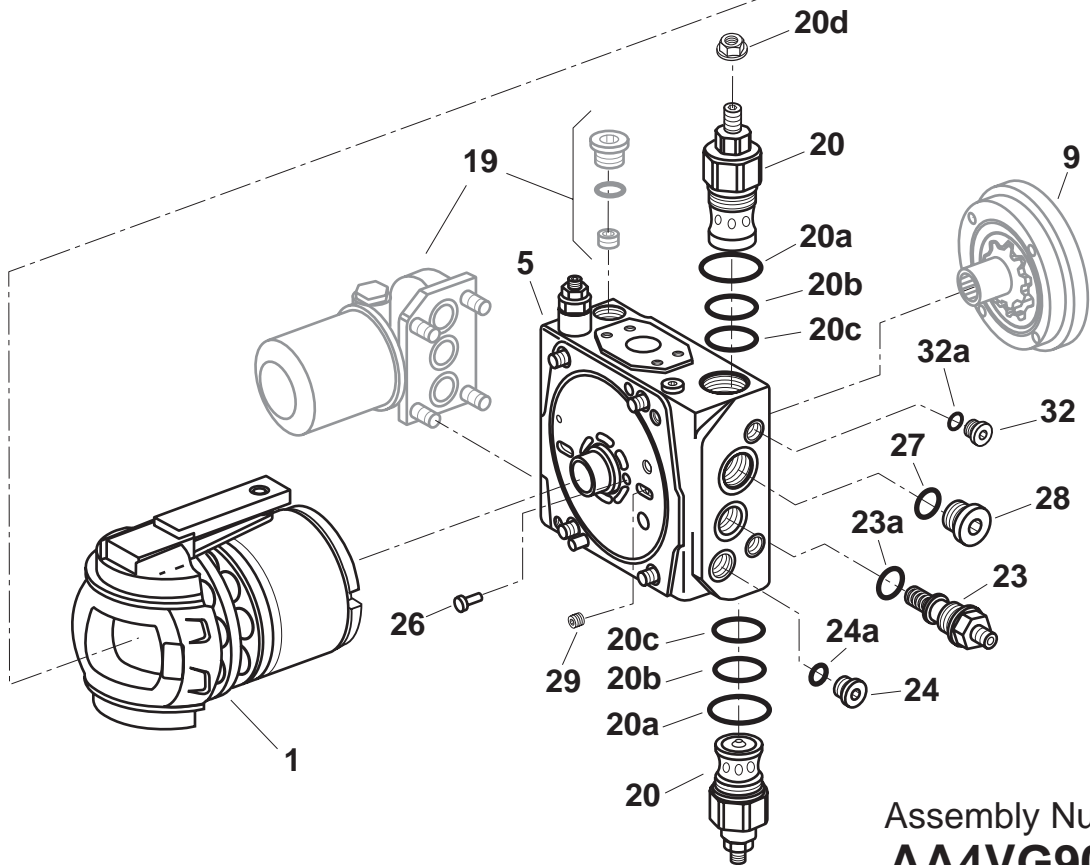
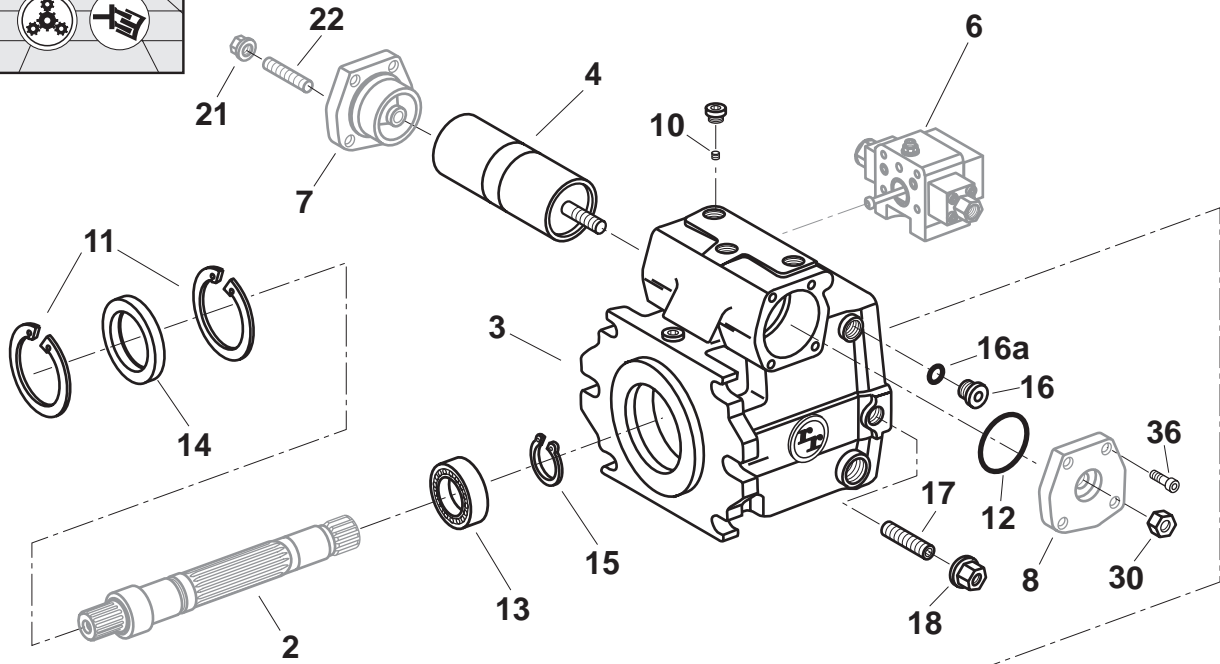
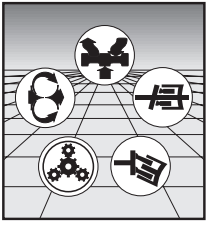
To order a replacement charge pump for an AA4VG hydrostatic transmission pump having the above nameplate, the following information would be required.

+ Type Code	AA4VG56HDD1/32R-NTC5K045E-S
+ Type Number	252.17.05.03
+ Serial Number	4154287
* Part Number	5421-005-015
* Part Name	Charge Pump

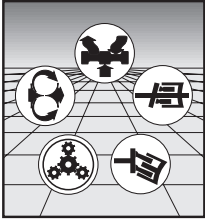
+ This information is taken from the nameplate on the pump.

\* This information is taken from the Service Parts List.

Rotary Group (AA4VG90.../32R) .....	Page 8-9
Rotary Group (AA4VG90.../32L) .....	10-11
Housing Ass'y .....	12-13
Stroking Piston Ass'y .....	14-15
Port Block Ass'y .....	16-17
HW Control .....	18-19
HW (L) Control .....	20-21
HD Control .....	22-23
EP1 Control .....	24-25
EP2 Control .....	26-27
EZ1 Control .....	28-29
EZ2 Control .....	30-31
Charge Pump (F00) .....	32-33
Thru Dr. Chg. Pump (F01...SAE-A) .....	34-35
Thru Dr. Chg. Pump (F02...SAE-B) .....	36-37
Thru Dr. Chg. Pump (F04...SAE-BB) .....	38-39
Thru Dr. Chg. Pump (F07...SAE-C) .....	40-41
Thru Dr. Chg. Pump (F73...SAE-D) .....	42-43
Filtration Options .....	44-45



Assembly Number  
**AA4VG90/32**

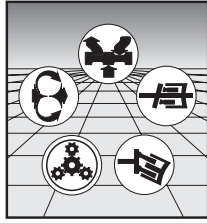


# REXROTH CORPORATION

## MOBILE HYDRAULICS DIVISION

Assembly Number  
**AA4VG90/32**

Item	Description	Qty	Part Number
1	Rotary Group Ass'y AA4VG90.../32R		5440-570-017
1	Rotary Group Ass'y AA4VG90.../32L		5440-570-016
2	Drive Shaft AA4VG90.../32...S		HU00921550
2	Drive Shaft AA4VG90.../32...Z		HU00449884
2	Drive Shaft AA4VG90.../32...U		HU00650811
3	Housing Ass'y	1	<i>Pages 12 &amp;13</i>
4	Stroking Piston Ass'y	1	<i>Pages 14 &amp;15</i>
5	Port Block Ass'y	1	<i>Pages 16 &amp;17</i>
6	Control AA4VG90HW.../32		HU00608523
6	Control AA4VG90HW...L/32		HU00608526
6	Control AA4VG90HD.../32		HU00602225
6	Control AA4VG90EP1.../32		HU00602227
6	Control AA4VG90EP2.../32		HU00602226
6	Control AA4VG90EZ1.../32		HU00437191
6	Control AA4VG90EZ2.../32		HU00437190
7	Stroking Piston Cover AA4VG90...		HU00922111
7	Stroking Piston Cover AA4VG90...M		HU00922134
7	Stroking Piston Cover AA4VG90...T		HU00922136
7	Stroking Piston Cover AA4VG90...M...T		HU00651552
8	Stroking Piston Cover AA4VG90...		HU00922110
8	Stroking Piston Cover AA4VG90...M		HU00922133
8	Stroking Piston Cover AA4VG90...T		HU00922135
8	Stroking Piston Cover AA4VG90...M...T		HU00651551
9	Charge Pump ...F00		HU00606811
9	Thru Dr. Chg. Pump ...F01 (SAE-A)		HU00606803
9	Thru Dr. Chg. Pump ...F02 (SAE-B)		HU00606809
9	Thru Dr. Chg. Pump ...F04 (SAE-BB)		HU00606807
9	Thru Dr. Chg. Pump ...F07 (SAE-C)		HU00606801
9	Thru Dr. Chg. Pump ...F73 (SAE-D)		HU00606805



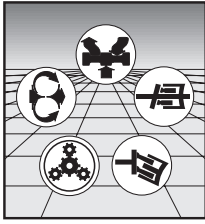
# REXROTH CORPORATION

## MOBILE HYDRAULICS DIVISION

Assembly Number  
**AA4VG90/32**

Item	Description	Qty	Part Number	
10	Stroking Time Orifice (1.0 mm)	2	HU00426700	
10	Stroking Time Orifice (0.8 mm)		HU00426701	
10	Stroking Time Orifice (0.9 mm)		HU00426702	
10	Stroking Time Orifice (1.2 mm)		HU00426703	
10	Stroking Time Orifice (1.4 mm)		HU00426704	
10	Stroking Time Orifice (1.6 mm)		HU00426705	
10	Stroking Time Orifice (1.8 mm)		HU00426706	
10	Stroking Time Orifice (2.0 mm)		HU00426707	
10	Stroking Time Orifice (2.2 mm)		HU00426708	
10	Stroking Time Orifice (2.4 mm)		HU00439372	
10	Stroking Time Orifice (2.5 mm)		HU00426709	
11	Snap Ring (80 x 2.5 DIN 984)	2	HU02600001	
12	O-Ring (90 Duro Buna PRP-151)	2	68104-151	*▲
13	Front Bearing	1	HU00153104	
14	Shaft Seal (Buna) "P"		HU00830972	*
14	Shaft Seal (FPM) "N"		HU00830978	▲
15	Snap Ring (40 x 1.75 DIN 471)	1	71119-009	
16	Plug (9/16-18)	1	76107-006	
16a	O-Ring (90 Duro Buna Tube PRP-906)	1	68105-906	*▲■
17	Threaded Pin	1	HU00154982	
18	Seal Nut (M12 x 1.5)	1	65110-008	*▲
19	Filtration Options	1	<i>Pages 44 &amp; 45</i>	

- \* Contained in Seal Kit (P) 5440-635-033
- ▲ Contained in Seal Kit (N) 5440-635-038
- Included with 76107-006



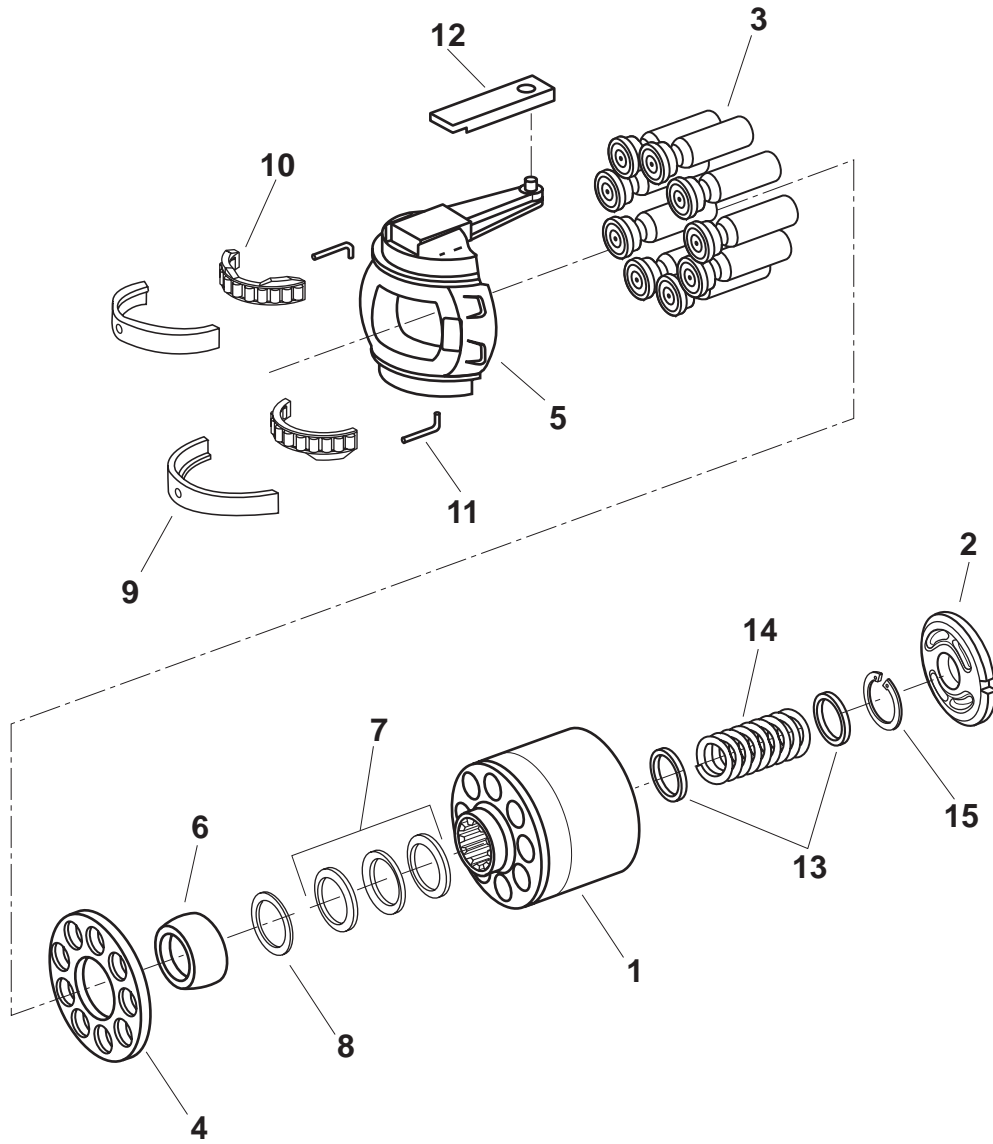
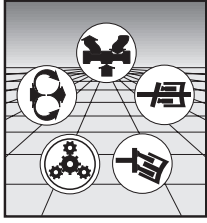
# REXROTH CORPORATION

## MOBILE HYDRAULICS DIVISION

Assembly Number  
**AA4VG90/32**

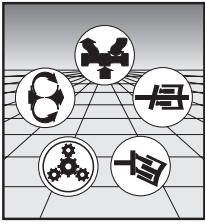
Item	Description	Qty	Part Number	
20	H.P.R.V. w/ Tow Option (1450-6100 psi)	2	HU02600466	
20a	O-Ring (90 Duro Buna PRP-123)	2	68104-123	*▲□
20b	Back-Up Ring (23.5 x 28 x 1.04)	2	RR00014145	*▲□
20c	O-Ring (90 Duro Buna PRP-119)	2	68104-119	*▲□
20d	Jam Nut (M14 x 1)	2	RR00646747	□
21	Seal Nut (M10 x 1)		65110-007	*▲
22	Stroke Limiting Screw		HU00430349	
23	Charge Relief Valve		HU00434856	
23a	O-Ring (90 Duro Buna PRP-119)	1	68104-119	*▲★
24	Plug (3/4-16)	1	76107-008	
24a	O-Ring (90 Duro Buna Tube PRP-908)	1	68105-908	*▲■
26	Lens Pin	1	HU00405732	
27	O-Ring (90 Duro Buna PRP-123)	1	68104-123	*▲
28	Plug (M33 x 2 DIN 906-5.8)	1	76118-003	
29	Plug (M8 x 1 DIN 906-5.8)	1	76117-003	
30	Jam Nut (M16 x 1.5 DIN 439-04AU)	1	HU00157477	
32	Plug (7/16-20)	2	76107-004	
32a	O-Ring (90 Duro Buna Tube PRP-904)	2	68105-904	*▲○
36	Cap Screw (M8 x 20 DIN 912-10.9)	8	60118-081	

- \* Contained in Seal Kit (P) 5440-635-033
- ▲ Contained in Seal Kit (N) 5440-635-038
- ★ Included with HU00434636
- Included with HU00832125
- Included with 76107-004
- Included with 76107-008



Assembly Number  
**5440-570-017**





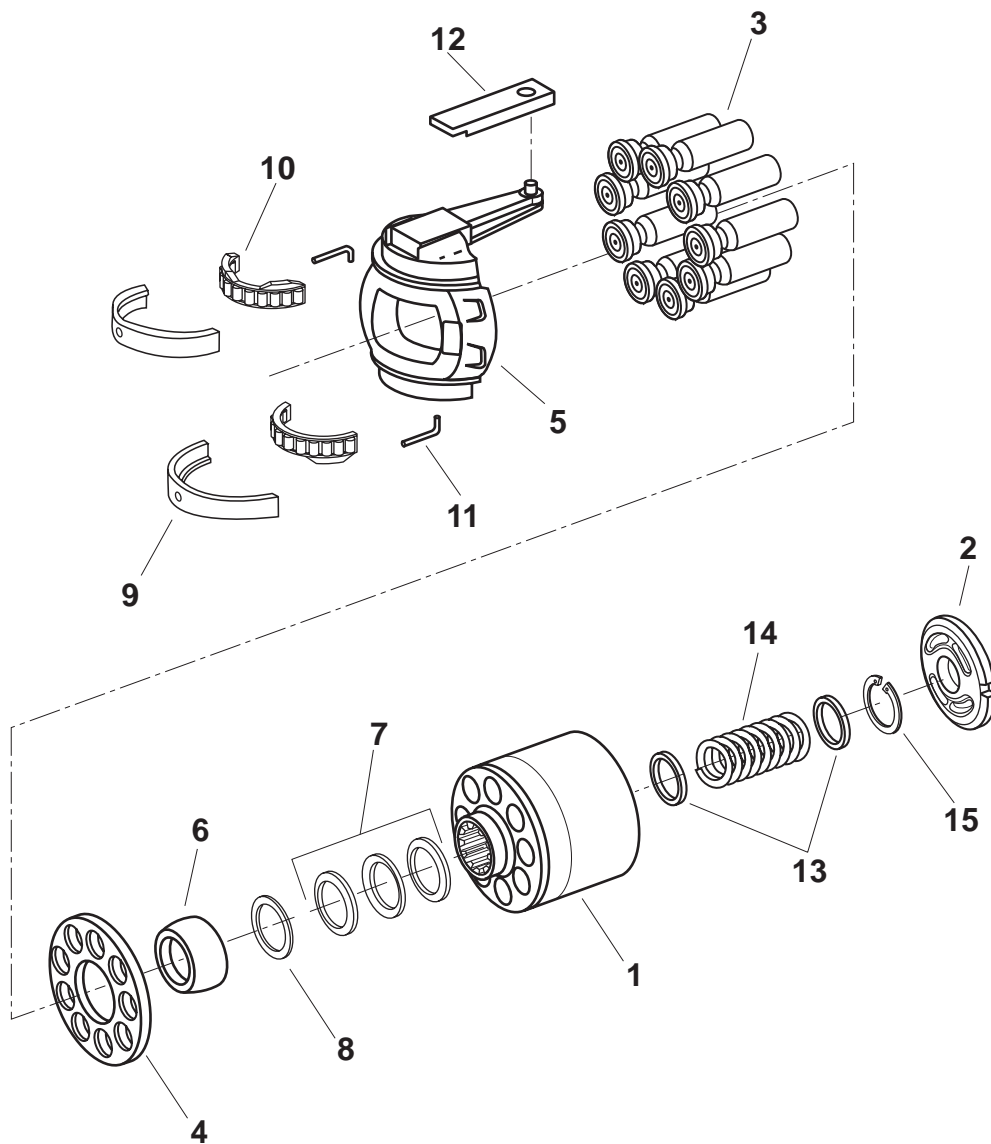
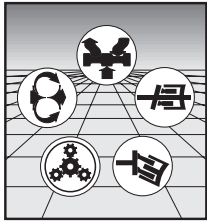
# REXROTH CORPORATION

## MOBILE HYDRAULICS DIVISION

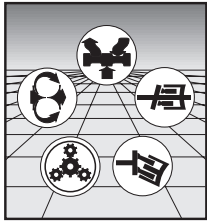
Assembly Number  
**5440-570-017**

Item	Description	Qty	Part Number	
1	Barrel	1	HU00449882	
2	Lens CW A4VG90../32	1	HU00650711/CW	
3	Piston	9	HU00414515	
4	Retaining Plate	1	HU00921729	
5	Swash Plate	1	HU00922255	
6	Retaining Ball	1	HU00921730	
7	Cup Spring Stack	1	HU00921728	
8	Preload Shim (1.20 mm)	1	HU00432983	■
8	Preload Shim (0.95 mm)	0	HU00432984	■
8	Preload Shim (0.80 mm)	0	HU00432985	■
8	Preload Shim (0.60 mm)	0	HU00432986	■
9	Bearing Race	1	HU00650053	
10	Cradle Bearing Set	1	HU00830165	
11	Wire	2	HU00417959	
12	Lever	1	HU00449810	
13	Shim	2	HU00449885	
14	Spring	1	HU00435649	
15	Retaining Ring (48 x 1.75 DIN 472)	1	71128-044	

■ Select the correct shim to set the rotary group preload.



Assembly Number  
**5440-570-016**



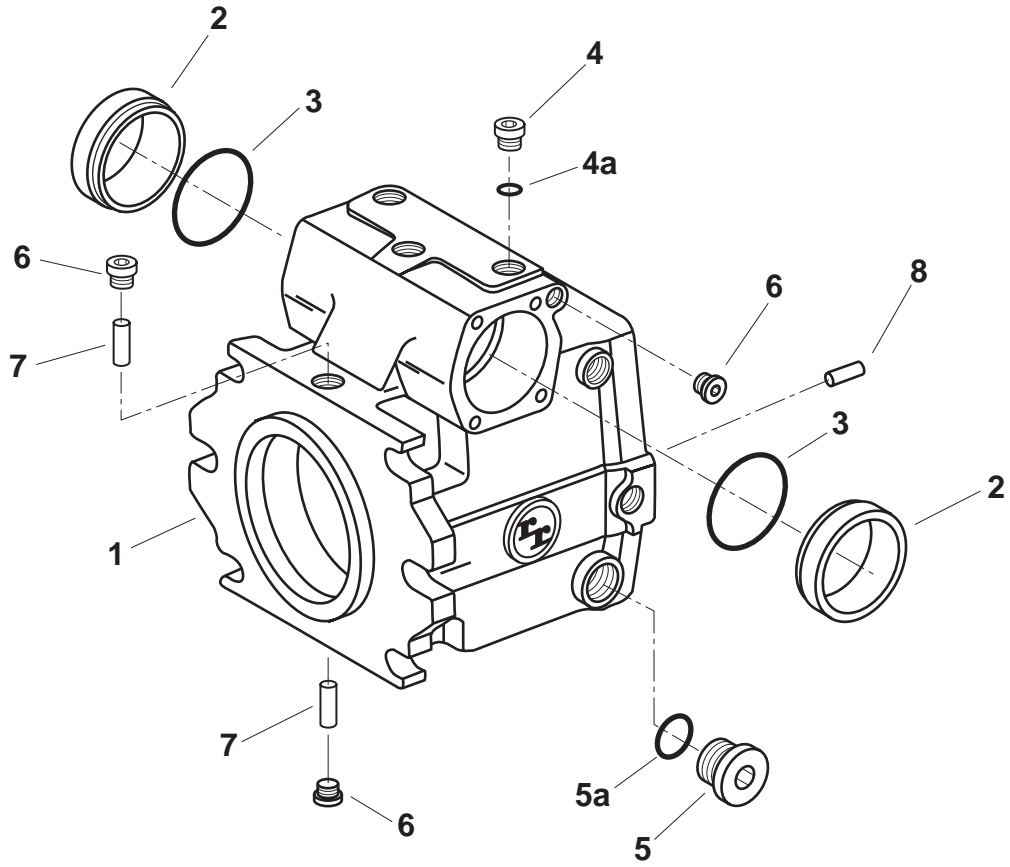
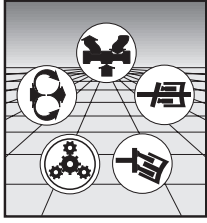
# REXROTH CORPORATION

## MOBILE HYDRAULICS DIVISION

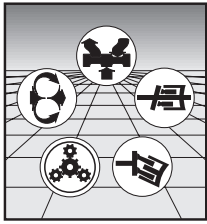
Assembly Number  
**5440-570-016**

Item	Description	Qty	Part Number	
1	Barrel	1	HU00449882	
2	Lens CCW A4VG90../32	1	HU00650711/CCW	
3	Piston	9	HU00414515	
4	Retaining Plate	1	HU00921729	
5	Swash Plate	1	HU00922255	
6	Retaining Ball	1	HU00921730	
7	Cup Spring Stack	1	HU00921728	
8	Preload Shim (1.20 mm)	1	HU00432983	■
8	Preload Shim (0.95 mm)	0	HU00432984	■
8	Preload Shim (0.80 mm)	0	HU00432985	■
8	Preload Shim (0.60 mm)	0	HU00432986	■
9	Bearing Race	1	HU00650053	
10	Cradle Bearing Set	1	HU00830165	
11	Wire	2	HU00417959	
12	Lever	1	HU00449810	
13	Shim	2	HU00449885	
14	Spring	1	HU00435649	
15	Retaining Ring (48 x 1.75 DIN 472)	1	71128-044	

- Select the correct shim to set the rotary group preload.



Assembly Number  
**Housing Ass'y**



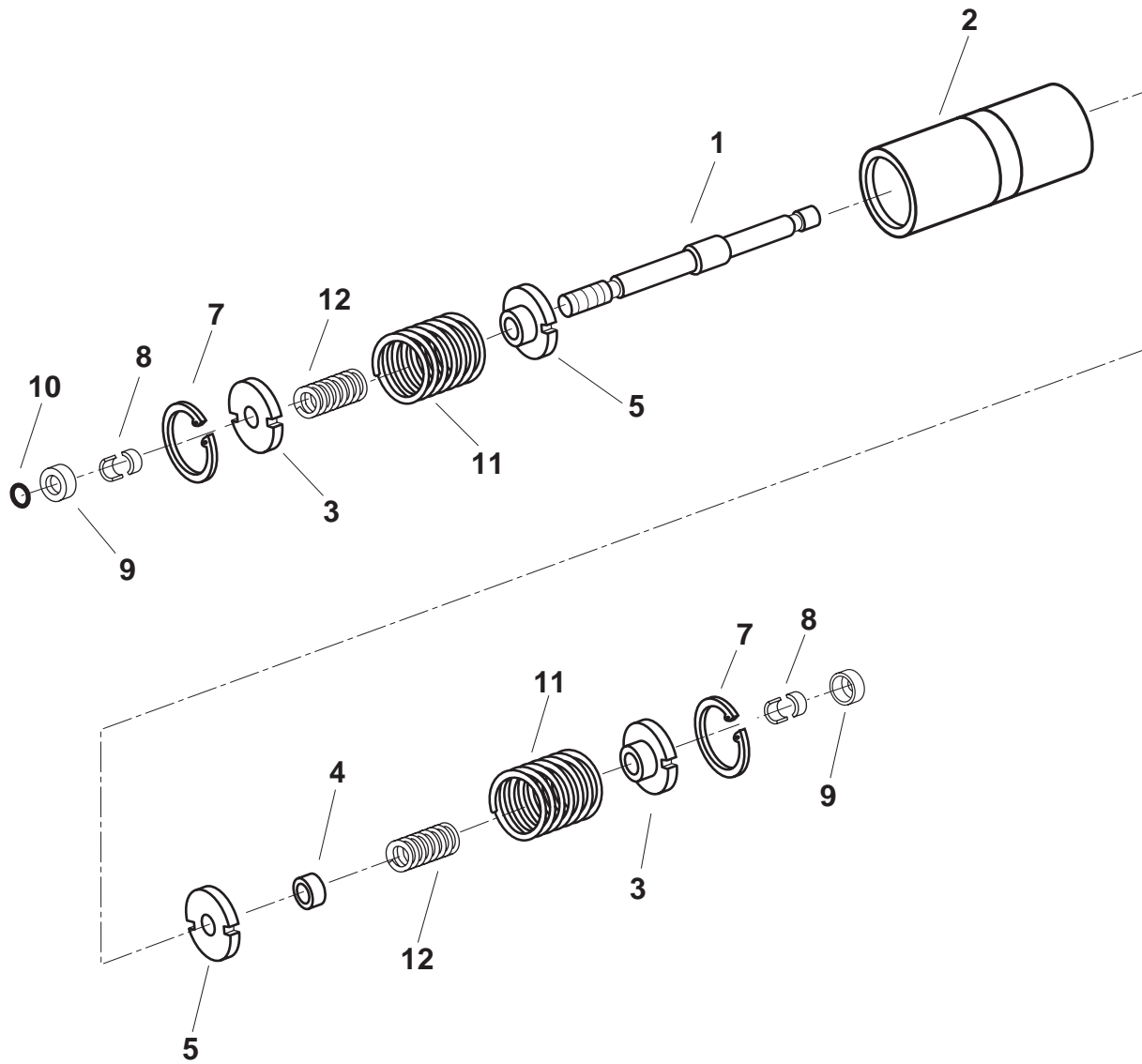
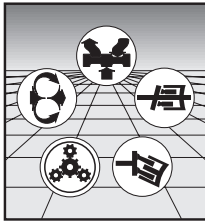
# REXROTH CORPORATION

## MOBILE HYDRAULICS DIVISION

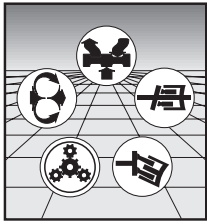
Assembly Number  
**Housing Ass'y**

Item	Description	Qty	Part Number	
1	Housing	1	HU00922043	
2	Bushing	2	HU00436419	
3	O-Ring (90 Duro Buna PRP-151)	2	68104-151	*▲
4	Plug (7/16-20)	3	76107-004	
4a	O-Ring (90 Duro Buna Tube PRP-904)	3	68105-904	*▲○
5	Plug (1 1/16-12)	1	76107-012	
5a	O-Ring (90 Duro Buna Tube PRP-912)	1	68105-912	*▲■
6	Plug (M10 x 1.0)	4	76116-004	*▲
7	Pin	2	HU00449714	
8	Spring Pin (3 x 12 DIN 7344)	2	HU00154427	

- \* Contained in Seal Kit (P) 5440-635-033
- ▲ Contained in Seal Kit (N) 5440-635-038
- Included with 76107-004
- Included with 76107-012



Assembly Number  
**Stroking Piston Ass'y**



# REXROTH CORPORATION

## MOBILE HYDRAULICS DIVISION

### Assembly Number Stroking Piston Ass'y

Item	Description	Qty	Part Number	
1	Rod	1	HU00922109	
2	Piston	1	HU00922108	
3	Spring Collar	2	HU00922113	
4	Spacer Ring (2.70 mm)	2	HU00922050	■
4	Spacer Ring (2.60 mm)	0	HU00922054	■
4	Spacer Ring (2.50 mm)	0	HU00922057	■
4	Spacer Ring (2.80 mm)	0	HU00922058	■
4	Spacer Ring (2.90 mm)	0	HU00922059	■
4	Spacer Ring (3.00 mm)	0	HU00922060	■
5	Spring Collar	2	HU00922116	
7	Retaining Ring (63 x 2 DIN 472)	1	HU00830312	
8	Keepers (8.00 mm) set	2	HU00435018	×
8	Keepers (7.85 mm) set	0	HU00435019	×
8	Keepers (7.90 mm) set	0	HU00435020	×
8	Keepers (7.95 mm) set	0	HU00435021	×
8	Keepers (8.05 mm) set	0	HU00435022	×
8	Keepers (8.10 mm) set	0	HU00435023	×
9	Retainer	2	HU00922112	
10	O-Ring (90 Duro Buna PRP-014)	1	68104-014	*▲
11	Spring (NV, HD, EP, HW control)	2	HU00922121	
11	Spring (DG control)	2	HU00922114	
12	Spring (NV, HD, EP, HW control)	2	HU00922122	
12	Spring (DG control)	2	HU00922115	

\* Contained in Seal Kit (P) 5440-635-033

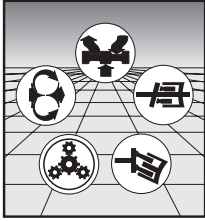
▲ Contained in Seal Kit (N) 5440-635-038

× Choose the correct keeper to set retaining plate position.

■ Choose the correct Spacer Ring to set displacement.







# REXROTH CORPORATION

## MOBILE HYDRAULICS DIVISION

Assembly Number  
**Port Block Ass'y**

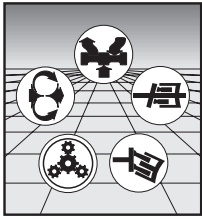
Item	Description	Qty	Part Number	
1	P.O.R. Ass'y	1	HU00437363	
1a	O-Ring (90 Duro Buna PRP-112)	1	68104-112	*▲□
1b	O-Ring (90 Duro Buna PRP-010)	1	68104-010	*▲□
1c	Seal Nut (M8)	1	65110-004	*
1d	Adjusting Screw	1	HU00432167	
2	Plug (M12 x 1.5)	1	76116-002	
3	Cap Screw (M16 x 90 DIN 912-10.9)	4	60119-186	
6	O-Ring (90 Duro Buna PRP-014)	2	68104-014	*▲
7	O-Ring (90 Duro Buna PRP-160)	1	68104-160	*▲
8	Plug (M8 x 1)	5	76116-015	
9	Bushing Support	1	HU00440537	
10	Bushing	1	HU00435790	
12	Port Block	1	5440-430-026	
13	Plug (7/16-20)	1	76107-004	
13a	O-Ring (90 Duro Buna PRP-904)	1	68105-904	*▲■
14	Orifice (1.8 mm)	1	HU00426706	

\* Contained in Seal Kit (P) 5440-635-033

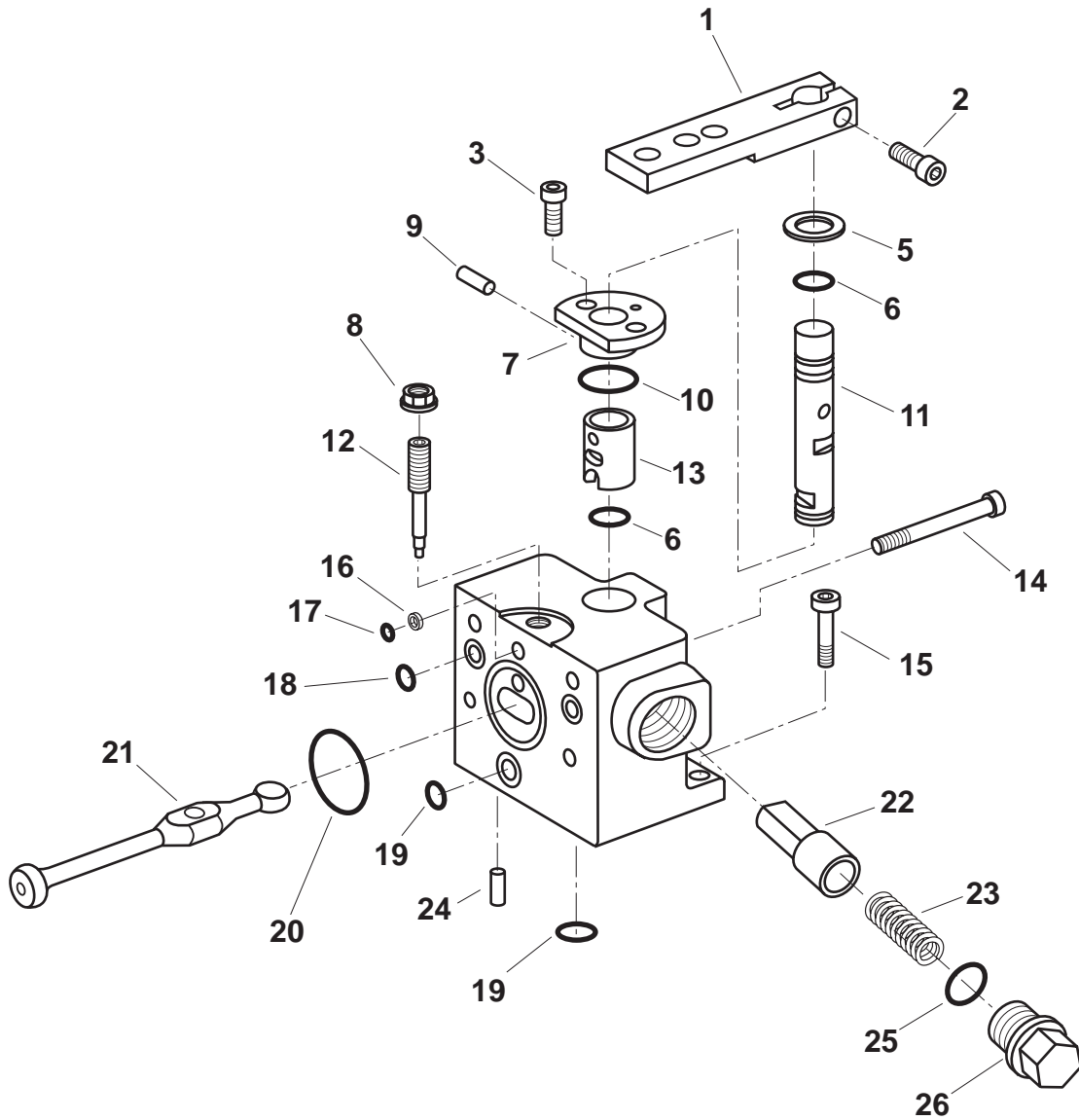
▲ Contained in Seal Kit (N) 5440-635-038

□ Included with HU00437363

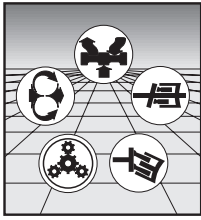
■ Included with 76107-004



# HW Control



Assembly Number  
**HU00608523**



# REXROTH CORPORATION

## MOBILE HYDRAULICS DIVISION

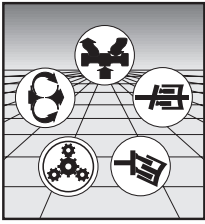
### HW Control

Assembly Number  
**HU00608523**

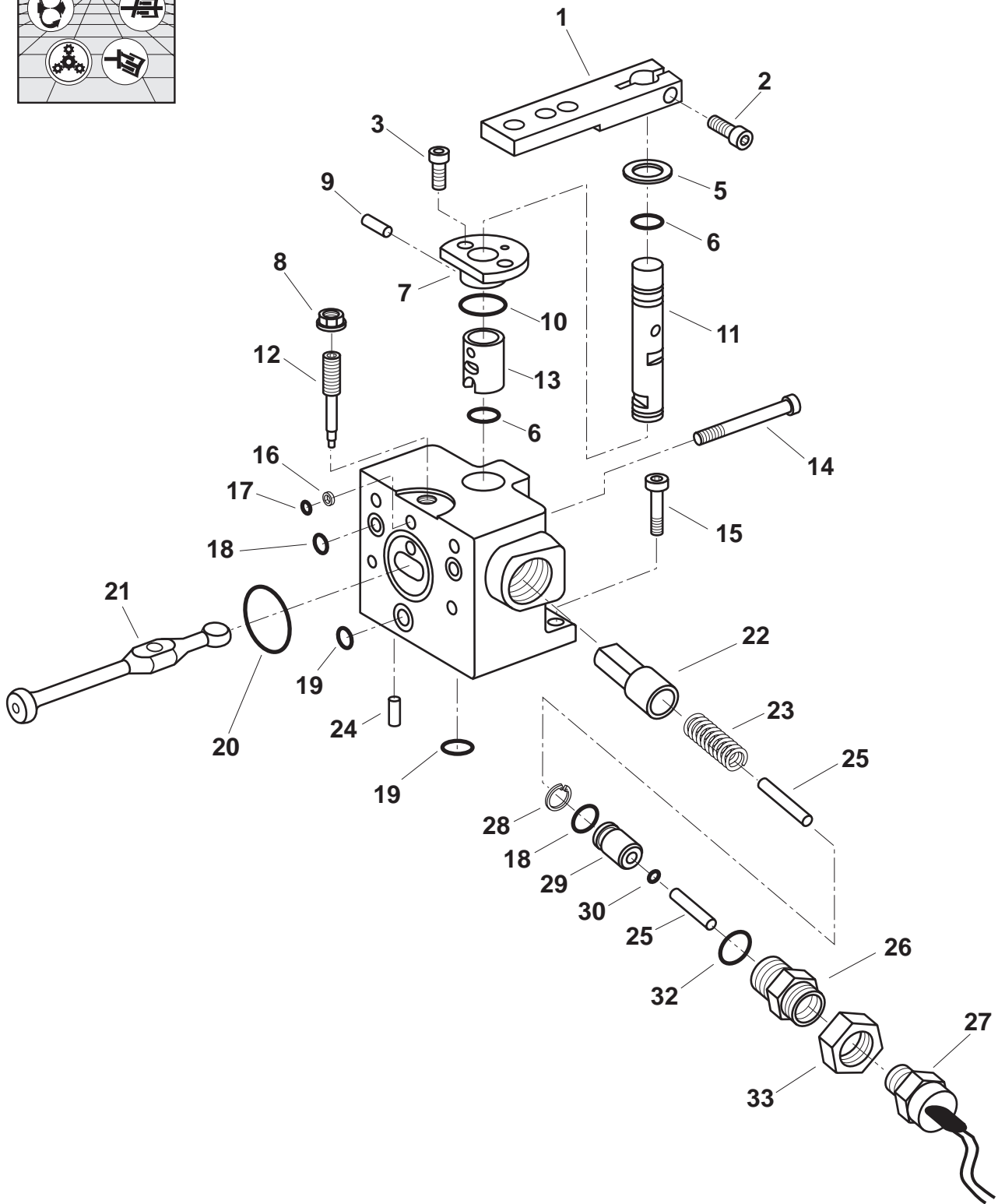
Item	Description	Qty	Part Number	
1	Handle	1	HU00400523	
2	Cap Screw (M5 x 20 DIN 912-8.8)	1	60118-037	
3	Cap Screw (M5 x 10 DIN 912-8.8)	2	60118-032	
5	Shim (14 x 20 x 1 DIN 988)	1	HU00153380	
6	O-Ring (70 Duro Buna PRP-013)	2	68101-013	*▲
7	Cover	1	HU00651212	
8	Seal Nut (M8)	1	65110-004	
9	Needle Roller (A 4 x 17.8 G2 DIN 5402)	1	HU00830413	
10	O-Ring (70 Duro Buna PRP-020)	1	68101-020	*▲
11	Control Shaft	1	HU00651216	
12	Eccentric Screw	1	HU00426570	
13	Control Bushing	1	HU00651213	
14	Cap Screw (M6 x 50 DIN 912-8.8)	4	60118-065	
15	Cap Screw (M6 x 20 DIN 912-8.8)	2	60118-058	
16	Spacer	1	HU00430006	
17	O-Ring (70 Duro Buna PRP-010)	1	68101-010	*▲
18	O-Ring (70 Duro Buna PRP-012)	2	68101-012	*▲
19	O-Ring (70 Duro Buna PRP-014)	2	68101-014	*▲
20	O-Ring (70 Duro Buna PRP-025)	1	68101-025	*▲
21	Feed Back Lever	1	HU00436443	
22	Spring Retainer	1	HU00650254	
23	Spring	1	HU00421991	
24	Dowell Pin (M6 x 14 DIN 6325)	1	69116-005	
25	O -Ring (90 Duro Buna PRP-115)	1	68104-115	*▲
26	Cap (M20 x 1.5 DIN 910-5.8)	1	HU00086753	

\* Contained in Seal Kit (P) 5440-635-033

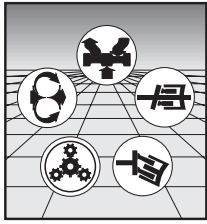
▲ Contained in Seal Kit (N) 5440-635-038



# HW (L) Control



Assembly Number  
**HU00608526**



# REXROTH CORPORATION

## MOBILE HYDRAULICS DIVISION

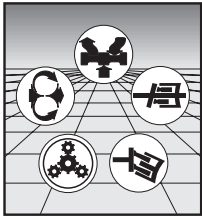
### HW (L) Control

Assembly Number  
**HU00608526**

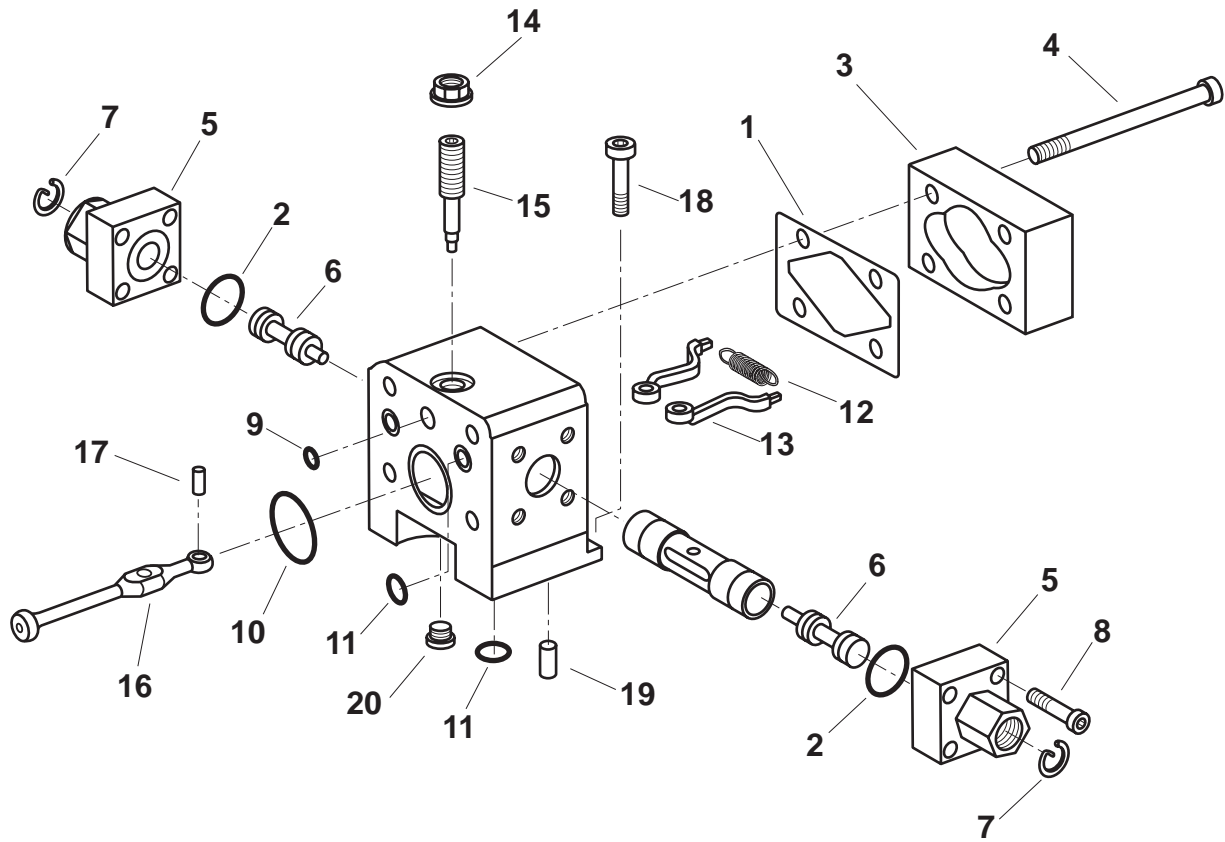
Item	Description	Qty	Part Number	
1	Handle	1	HU00400523	
2	Cap Screw (M5 x 20 DIN 912-8.8)	1	60118-037	
3	Cap Screw (M5 x 10 DIN 912-8.8)	2	60118-032	
5	Shim (14 x 20 x 1 DIN 988)	1	HU00153380	
6	O-Ring (70 Duro Buna PRP-013)	2	68101-013	*▲
7	Cover	1	HU00651212	
8	Seal Nut (M8 x 1.25)	1	65110-004	*▲
9	Pin (A4 x 17.8 G2 DIN 5402)	1	HU00830413	
10	O-Ring (70 Duro Buna PRP-020)	1	68101-020	*▲
11	Control Shaft	1	HU00651216	
12	Eccentric Screw	1	HU00426570	
13	Control Bushing	1	HU00651213	
14	Cap Screw (M6 x 50 DIN 912-8.8)	4	60118-065	
15	Cap Screw (M6 x 20 DIN 912-8.8)	2	60118-058	
16	Spacer	1	HU00430006	
17	O-Ring (70 Duro Buna PRP-010)	1	68101-010	*▲
18	O-Ring (70 Duro Buna PRP-012)	3	68101-012	*▲
19	O-Ring (70 Duro Buna PRP-014)	1	68101-014	*▲
20	O-Ring (70 Duro Buna PRP-025)	1	68101-025	*▲
21	Feed Back Lever	1	HU00436443	
22	Spring Retainer	1	HU00651844	
23	Spring	1	HU00421991	
24	Dowell Pin (M6 x 14 DIN 6325)	1	69116-005	
25	Pin (3 x 32 DIN 5402)	2	HU00651973	
26	Adapter	1	HU00444527	
27	Switch	1	HU00830731	
28	Snap Ring (M14 x 1 DIN 472)	1	HU00083380	
29	Seal Bushing	1	HU00444528	
30	O-Ring (70 Duro Buna PRP-006)	1	68101-006	*▲
32	O-Ring (90 Duro Buna PRP-115)	1	68104-115	*▲
33	Jam Nut (BM 20 x 1.5 DIN 439-04AU)	1	HU00830212	

\* Contained in Seal Kit (P) 5440-635-033

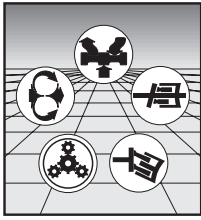
▲ Contained in Seal Kit (N) 5440-635-038



# HD Control



Assembly Number  
**HU00602225**



# REXROTH CORPORATION

## MOBILE HYDRAULICS DIVISION

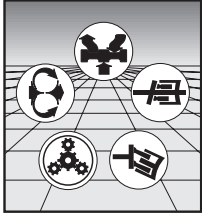
### HD Control

Assembly Number  
**HU00602225**

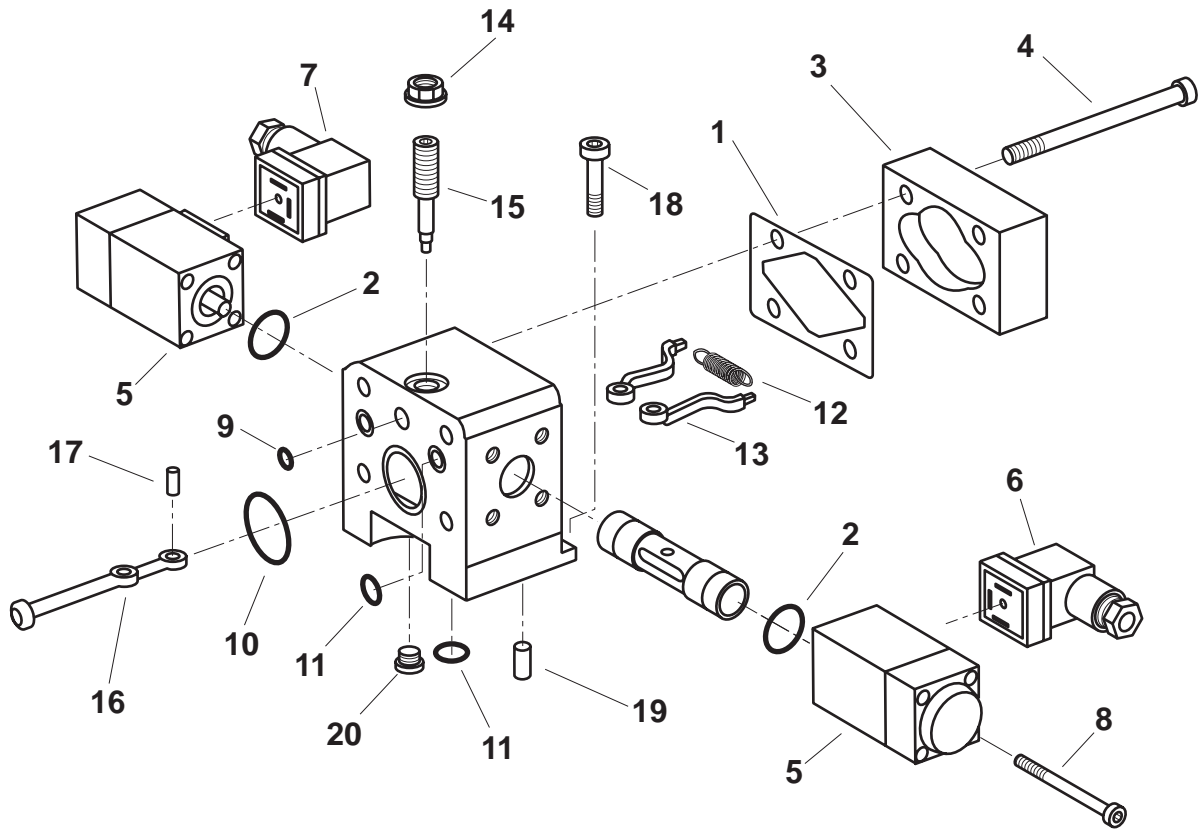
Item	Description	Qty	Part Number	
1	Gasket	1	HU00443634	*▲
2	O-Ring (70 Duro Buna PRP-018)	2	68101-018	*▲
3	Cover	1	HU00443201	
4	Cap Screw (M6 x 65 DIN 912-8.8)	4	60118-068	
5	End Cover	2	HU00417430	
6	Piston	2	HU00439379	
7	Retaining Clip	2	HU00156539	
8	Cap Screw (M4 x 20 DIN 912-8.8)	8	60118-020	
9	O-Ring (70 Duro Buna PRP-010)	1	68101-010	*▲
10	O-Ring (70 Duro Buna PRP-025)	1	68101-025	*▲
11	O-Ring (70 Duro Buna PRP-013)	5	68101-013	*▲
12	Feedback Spring	1	HU00921875	
13	Lever Arm	2	HU00426573	
14	Seal Nut (M8)	1	65110-004	*▲
15	Eccentric Screw	1	HU00426570	
16	Feedback Lever	1	HU00436442	
17	Pin (A3 x 15.8 G2 DIN 5402)	1	HU00087453	
18	Cap Screw (M6 x 20 DIN 912-8.8)	2	60118-058	
19	Dowel Pin (M6 x 14 DIN 6325)	1	69116-005	
20	Retaining Plug	1	HU00408821	

\* Contained in Seal Kit (P) 5440-635-033

▲ Contained in Seal Kit (N) 5440-635-038

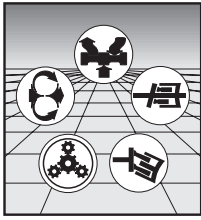


# EP1 Control



Assembly Number  
**HU00602227**





# REXROTH CORPORATION

## MOBILE HYDRAULICS DIVISION

### EP1 Control

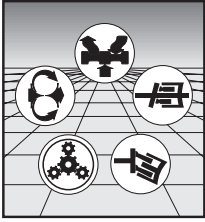
Assembly Number  
**HU00602227**

Item	Description	Qty	Part Number	
1	Gasket	1	HU00443634	*▲
2	O-Ring (70 Duro Buna PRP-018)	2	68101-018	*▲
3	Cover	1	HU00443201	
4	Cap Screw (M6 x 65 DIN 912-8.8)	4	60118-068	
5	Solenoid (12V)	2	HU00441691	
6	Connector Gray	1	HU00152503	
7	Connector Black	1	HU00085290	
8	Cap Screw (M4 x 50 DIN 912-8.8)	8	60118-027	□
9	O-Ring (70 Duro Buna PRP-010)	1	68101-010	*▲
10	O-Ring (70 Duro Buna PRP-025)	1	68101-025	*▲
11	O-Ring (70 Duro Buna PRP-013)	5	68101-013	*▲
12	Feedback Spring	1	HU00445713	
13	Lever Arm	2	HU00426573	
14	Seal Nut (M8)	1	65110-004	*▲
15	Eccentric Screw	1	HU00426570	
16	Feedback Lever	1	HU00436442	
17	Bevel Pin (DIN 5402)	1	HU00087453	
18	Cap Screw (M6 x 20 DIN 912-8.8)	2	60118-058	
19	Dowel Pin (M6 x 14 DIN 6325)	1	69116-005	
20	Retaining Plug	1	HU00408821	

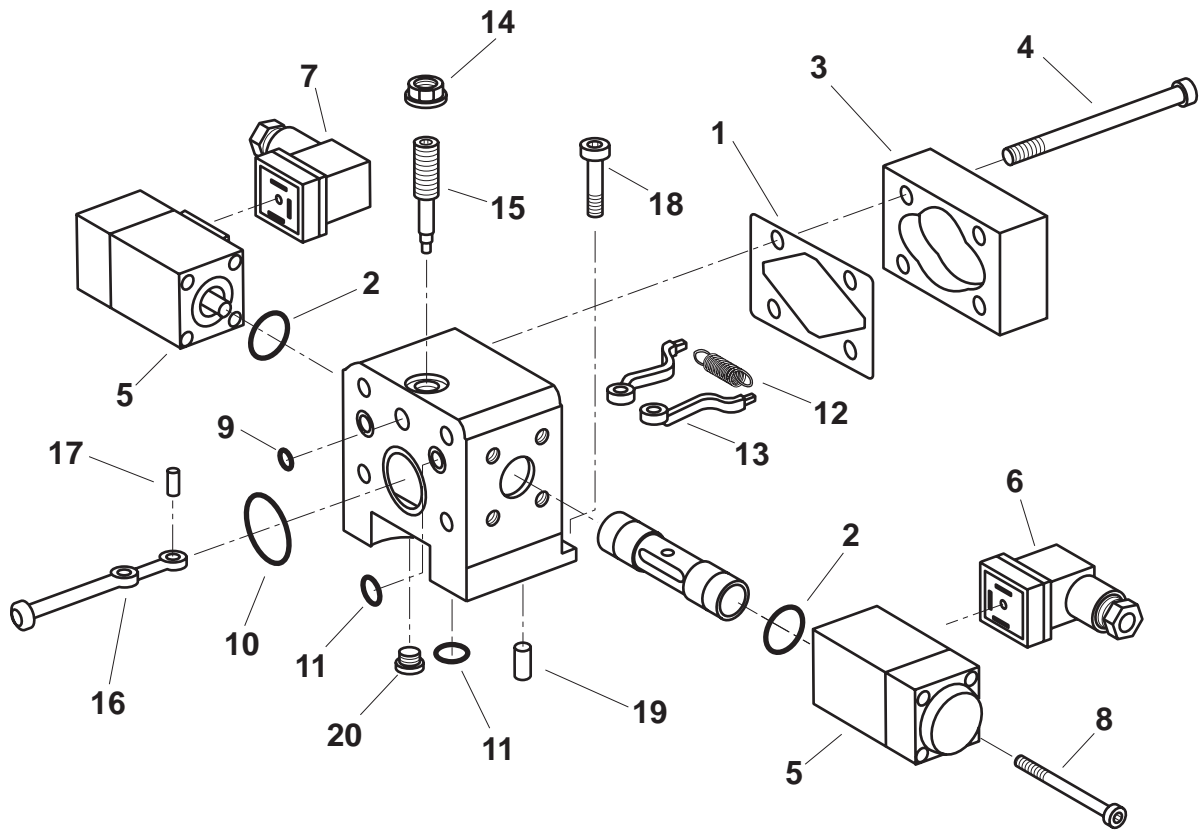
\* Contained in Seal Kit (P) 5440-635-033

▲ Contained in Seal Kit (N) 5440-635-038

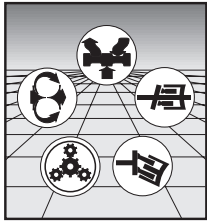
□ Included with HU00441691



# EP2 Control



Assembly Number  
**HU00602226**



# REXROTH CORPORATION

## MOBILE HYDRAULICS DIVISION

### EP2 Control

Assembly Number  
**HU00602226**

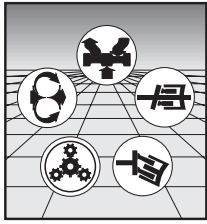
Item	Description	Qty	Part Number	
1	Gasket	1	HU00443634	*▲
2	O-Ring (70 Duro Buna PRP-018)	2	68101-018	*▲
3	Cover	1	HU00443201	
4	Cap Screw (M6 x 65 DIN 912-8.8)	4	60118-068	
5	Solenoid (24V)	2	HU00441692	
6	Connector Gray	1	HU00152503	
7	Connector Black	1	HU00085290	
8	Cap Screw (M4 x 50 DIN 912-8.8)	8	60118-027	□
9	O-Ring (70 Duro Buna PRP-010)	1	68101-010	*▲
10	O-Ring (70 Duro Buna PRP-025)	1	68101-025	*▲
11	O-Ring (70 Duro Buna PRP-013)	5	68101-013	*▲
12	Feedback Spring	1	HU00445713	
13	Lever Arm	2	HU00426573	
14	Seal Nut (M8)	1	65110-004	*▲
15	Eccentric Screw	1	HU00426570	
16	Feedback Lever	1	HU00436442	
17	Bevel Pin (DIN 5402)	1	HU00087453	
18	Cap Screw (M6 x 20 DIN 912-8.8)	2	60118-058	
19	Dowel Pin (M6 x 14 DIN 6325)	1	69116-005	
20	Retaining Plug	1	HU00408821	

\* Contained in Seal Kit (P) 5440-635-033

▲ Contained in Seal Kit (N) 5440-635-038

□ Included with HU00441692





# REXROTH CORPORATION

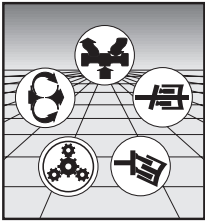
## MOBILE HYDRAULICS DIVISION

### EZ1 Control

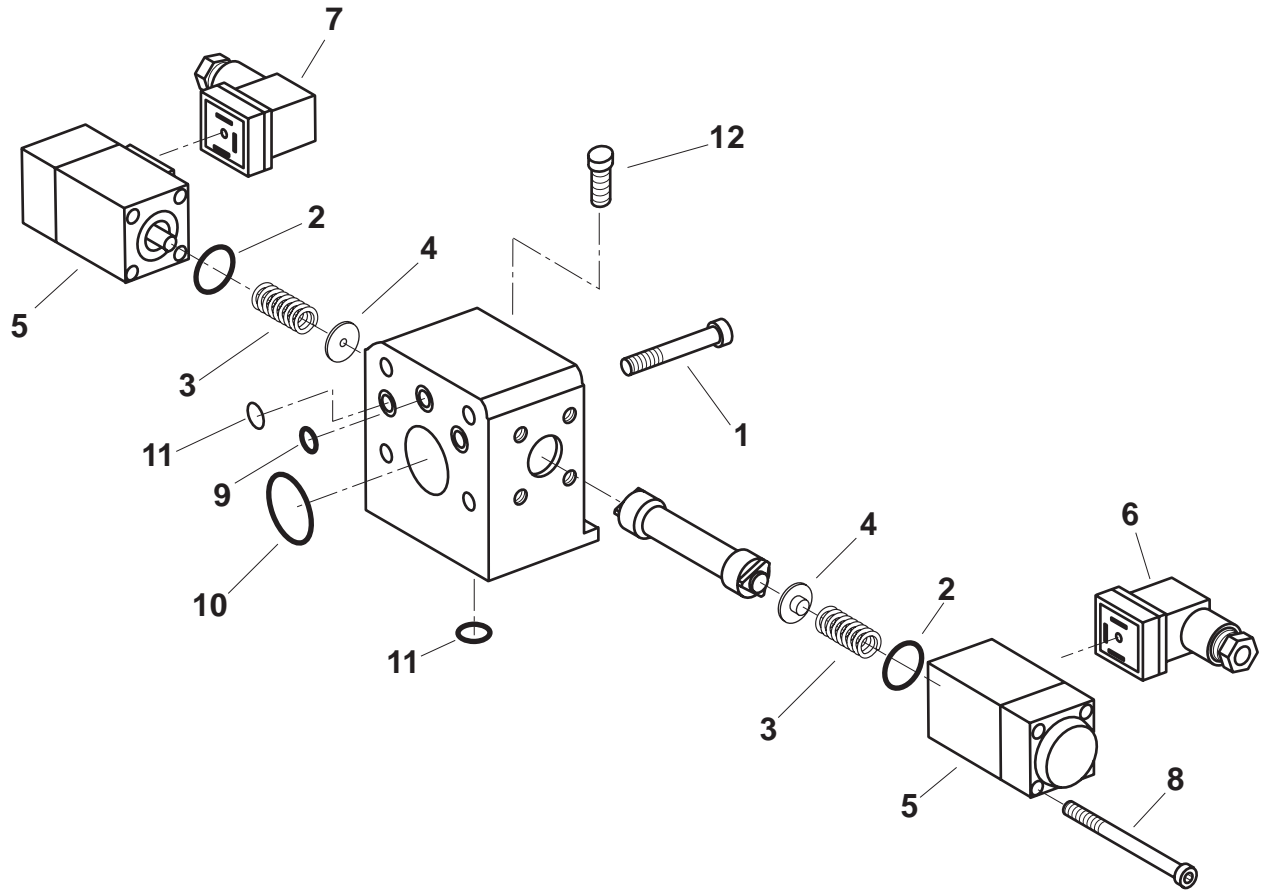
Assembly Number  
**HU00437191**

Item	Description	Qty	Part Number	
1	Cap Screw (M6 x 50 DIN 912-8.8)	4	60118-340	
2	O-Ring (70 Duro Buna PRP-016)	2	68101-016	*▲
3	Spring	2	HU00071362	
4	Spring Collar	2	HU00400503	
5	Solenoid (12Volts)	2	HU00428265	
6	Connector Gray	1	HU00152503	
7	Connector Black	1	HU00085290	
8	Cap Screw (M4 x 65 DIN 912-8.8)	8	60118-340	□
9	O-Ring (70 Duro Buna PRP-010)	1	68101-010	*▲
10	O-Ring (70 Duro Buna PRP-025)	1	68101-025	*▲
11	O-Ring (70 Duro Buna PRP-013)	5	68101-013	*▲
12	Cap Screw (M6 x 20 DIN 912-8.8)	2	60118-058	

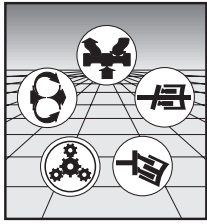
- \* Contained in Seal Kit (P) 5440-635-033
- ▲ Contained in Seal Kit (N) 5440-635-038
- Included with HU00428265



# EZ2 Control



Assembly Number  
**HU00437190**



# REXROTH CORPORATION

## MOBILE HYDRAULICS DIVISION

### EZ2 Control

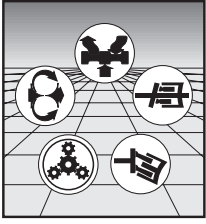
Assembly Number  
**HU00437190**

Item	Description	Qty	Part Number	
1	Cap Screw (M6 x 50 DIN 912-8.8)	4	60118-340	
2	O-Ring (70 Duro Buna PRP-016)	2	68101-016	*▲
3	Spring	2	HU00071362	
4	Spring Collar	2	HU00400503	
5	Solenoid (24Volts)	2	HU00428266	
6	Connector Gray	1	HU00152503	
7	Connector Black	1	HU00085290	
8	Cap Screw (M4 x 65 DIN 912-8.8)	8	60118-340	□
9	O-Ring (70 Duro Buna PRP-010)	1	68101-010	*▲
10	O-Ring (70 Duro Buna PRP-025)	1	68101-025	*▲
11	O-Ring (70 Duro Buna PRP-013)	5	68101-013	*▲
12	Cap Screw (M6 x 20 DIN 912-8.8)	2	60118-058	

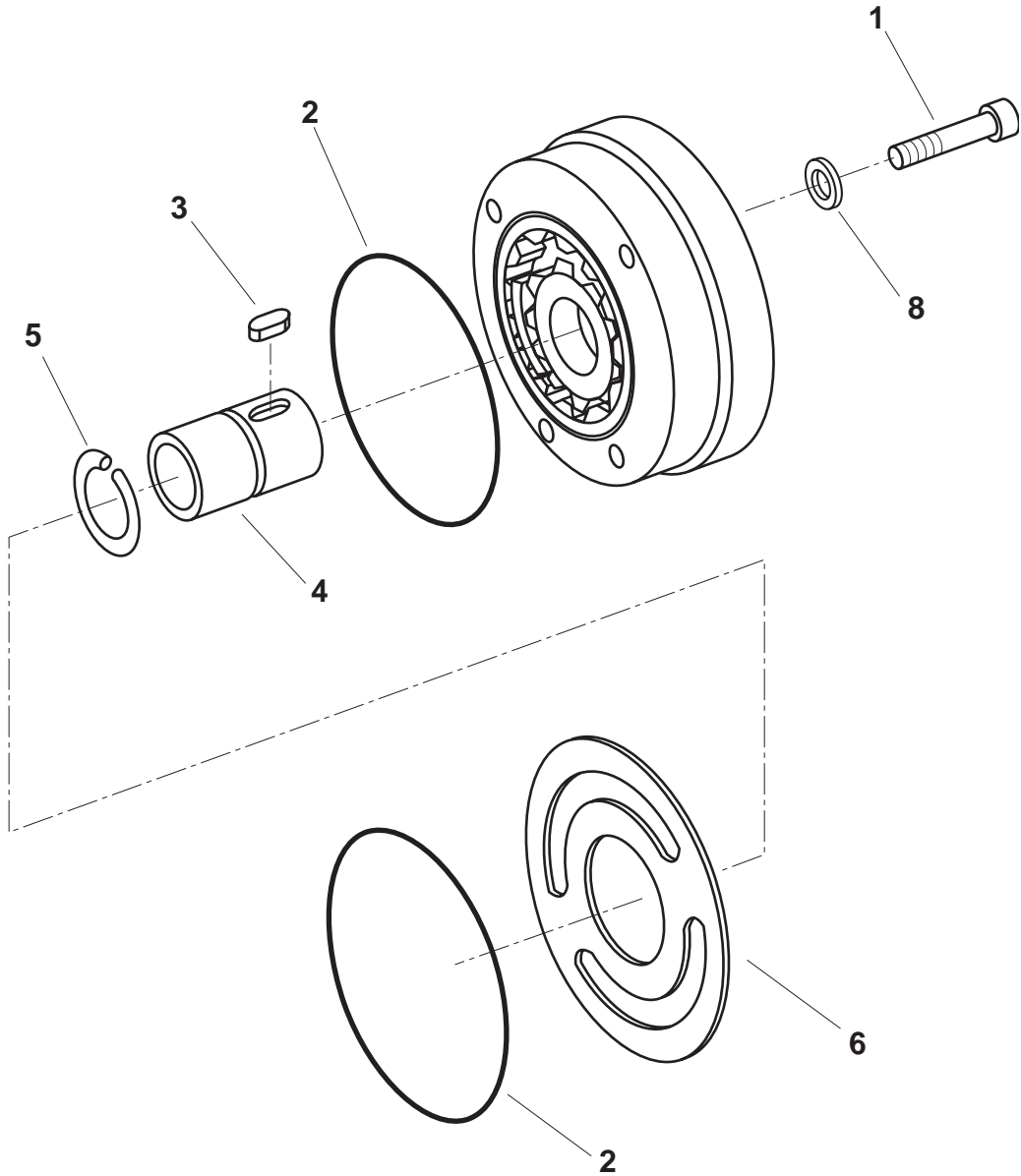
\* Contained in Seal Kit (P) 5440-635-033

▲ Contained in Seal Kit (N) 5440-635-038

□ Included with HU00428266

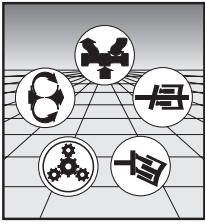


### Charge Pump (F00)



Assembly Number  
**HU00606811**





# REXROTH CORPORATION

## MOBILE HYDRAULICS DIVISION

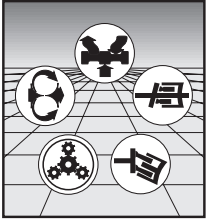
Charge Pump  
(F00)

Assembly Number  
**HU00606811**

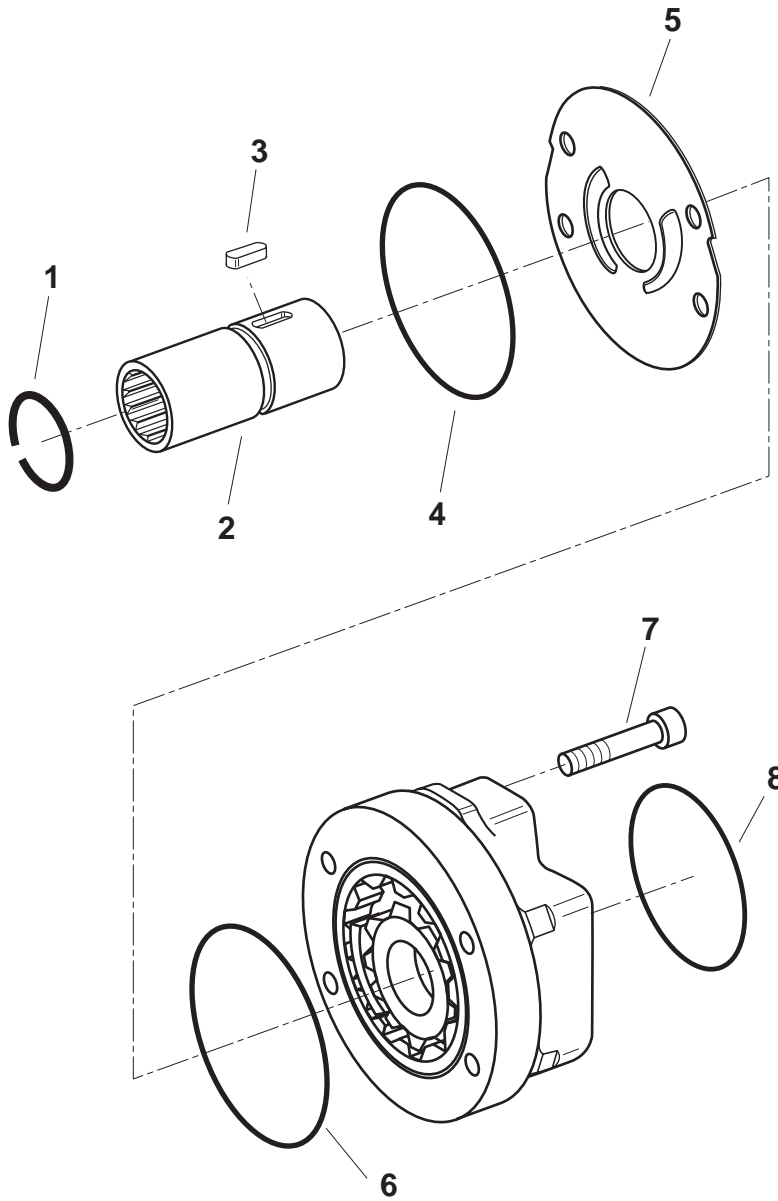
Item	Description	Qty	Part Number	
1	Cap Screw (M12 x 35 DIN 912-10.9)	4	60119-137	
2	O-Ring (90 Duro Buna PRP-239)	1	68104-239	*▲
3	Key	1	HU00445372	
4	Drive Shaft	1	HU00650371	
5	Retaining Ring	1	71130-020	
6	Wear Plate	1	HU00650748	
7	O-Ring (70 Duro Buna PRP-239)	1	68101-239	*▲

\* Contained in Seal Kit (P) 5440-635-033

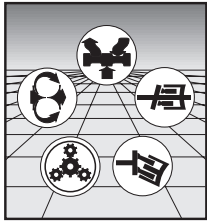
▲ Contained in Seal Kit (N) 5440-635-038



### Thru Drive Charge Pump (F01...SAE-A)



Assembly Number  
**HU00606803**



# REXROTH CORPORATION

## MOBILE HYDRAULICS DIVISION

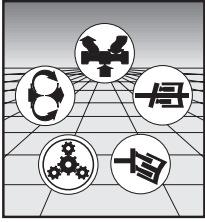
Thru Drive Charge Pump  
(F01...SAE-A)

Assembly Number  
**HU00606803**

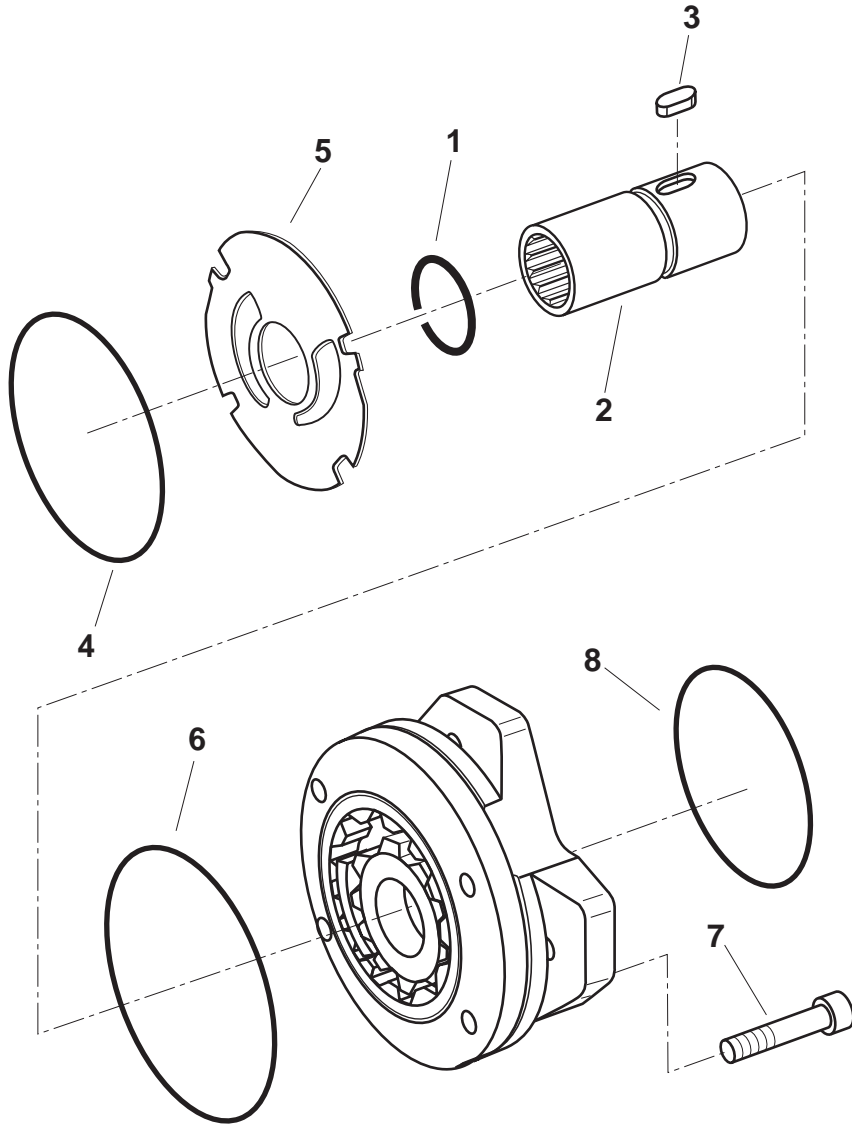
Item	Description	Qty	Part Number	
1	Retaining Ring (M38 x 2.5 DIN 7993)	1	71130-020	
2	Thru-Drive Coupling (SAE "A")	1	HU00650374	
3	Key	1	HU00445372	
4	O-Ring (70 Duro Buna PRP-239)	1	68101-239	*▲
5	Wear Plate	1	HU00650748	
6	O-Ring (90 Duro Buna PRP-239)	1	68104-239	*▲
7	Cap Screw (M12 x 40 DIN 912-8.8)	4	60118-141	
8	O-Ring (75/80 Duro Buna M84 x 2)	1	68111-259	*▲

\* Contained in Seal Kit (P) 5440-635-033

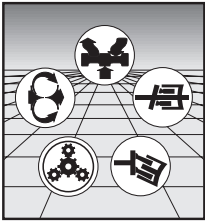
▲ Contained in Seal Kit (N) 5440-635-038



### Thru Drive Charge Pump (F02...SAE-B



Assembly Number  
**HU00606809**



# REXROTH CORPORATION

## MOBILE HYDRAULICS DIVISION

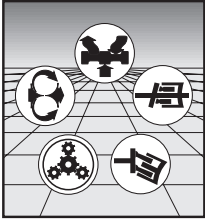
Thru Drive Charge Pump  
(F02...SAE-B)

Assembly Number  
**HU00606809**

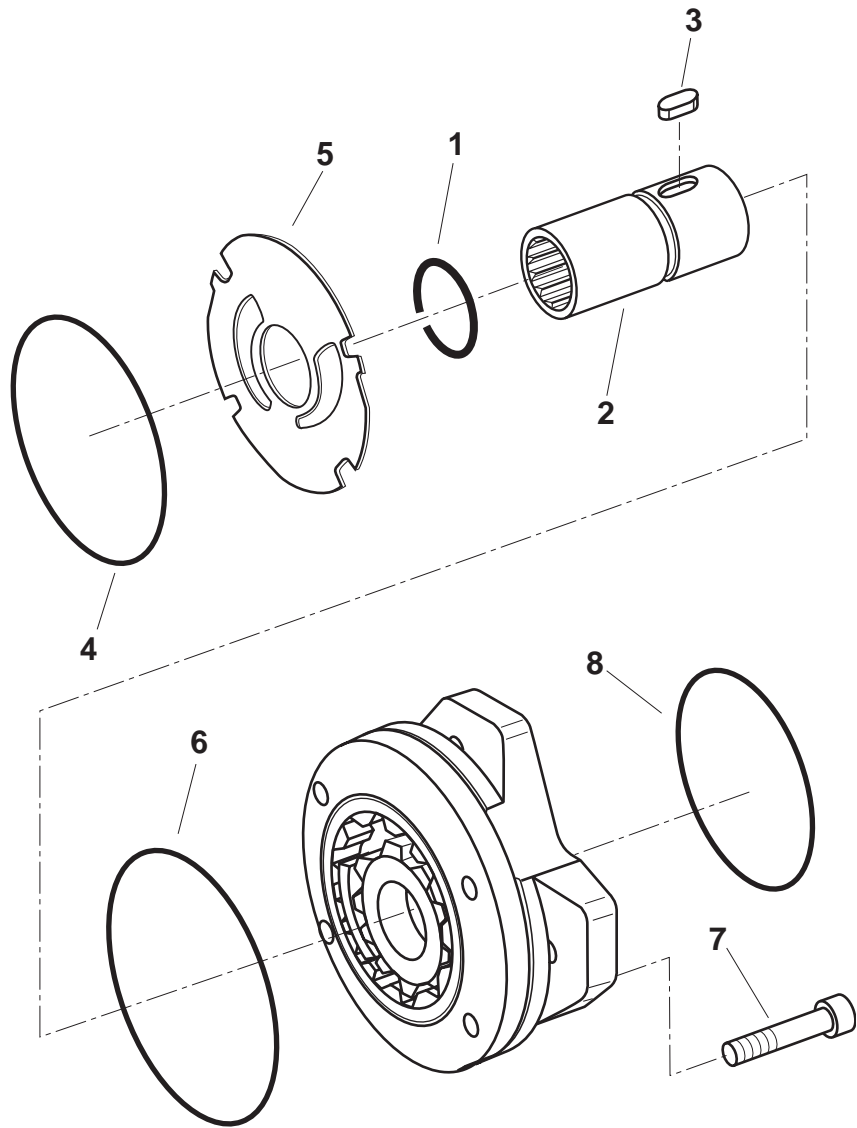
Item	Description	Qty	Part Number	
1	Retaining Ring (M38 x 2.5 DIN 7993)	1	71130-020	
2	Thru-Drive Coupling (SAE "B")	1	HU00650377	
3	Key	1	HU00445372	
4	O-Ring (70 Duro Buna PRP-239)	1	68101-239	*▲
5	Wear Plate	1	HU00650748	
6	O-Ring (90 Duro Buna PRP-239)	1	68104-239	*▲
7	Cap Screw (M12 x 40 DIN 912-8.8)	4	60118-141	
8	O-Ring (90 Duro Buna PRP-155)	1	68104-155	*▲

\* Contained in Seal Kit (P) 5440-635-033

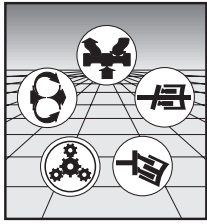
▲ Contained in Seal Kit (N) 5440-635-038



### Thru Drive Charge Pump (F04...SAE-BB)



Assembly Number  
**HU00606807**



# REXROTH CORPORATION

## MOBILE HYDRAULICS DIVISION

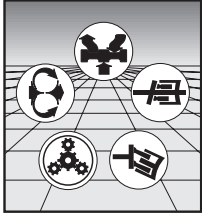
Thru Drive Charge Pump  
(F04...SAE-BB)

Assembly Number  
**HU00606807**

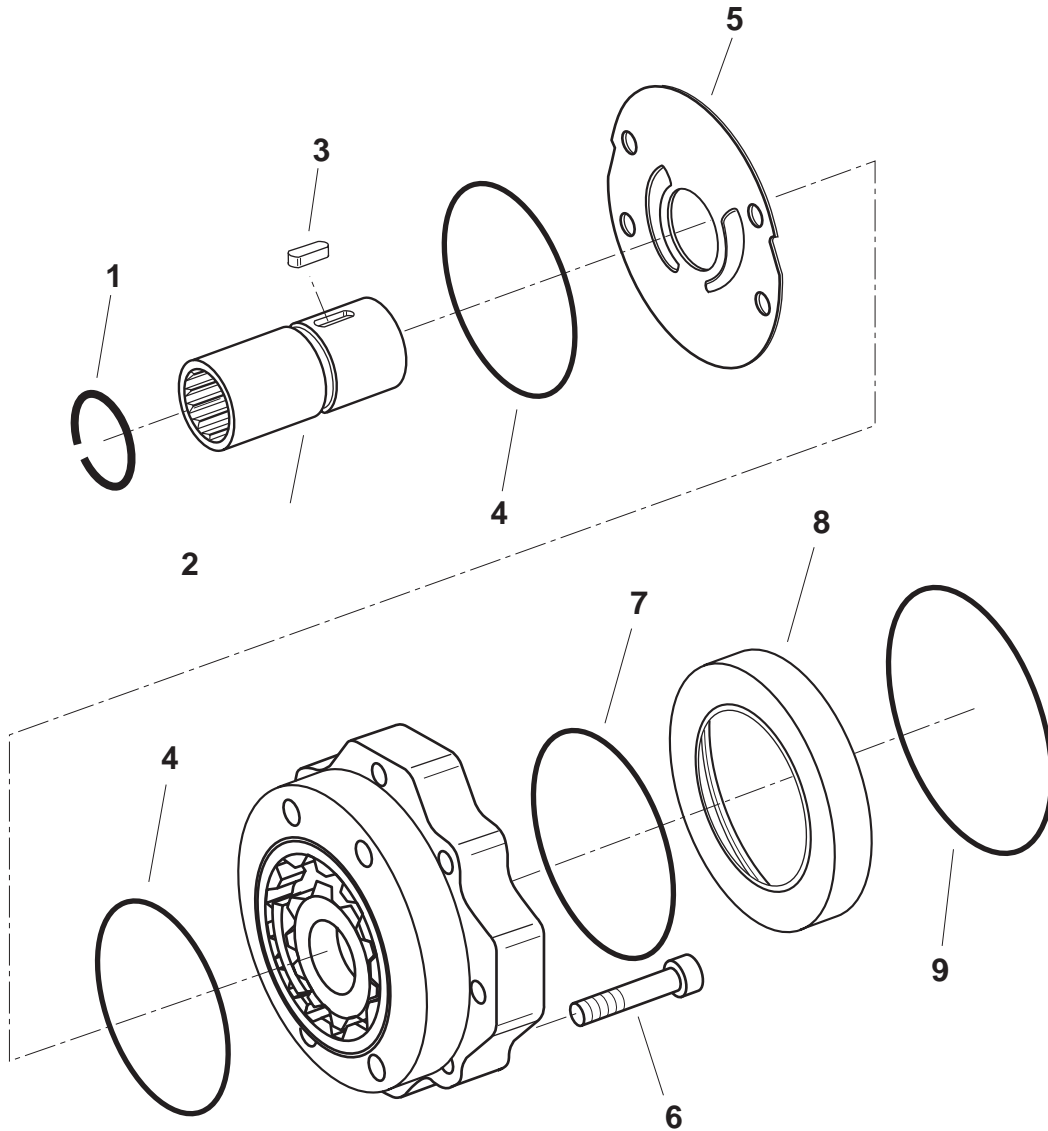
Item	Description	Qty	Part Number	
1	Retaining Ring (M38 x 2.5 DIN 7993)	1	71130-020	
2	Thru-Drive Coupling (SAE "B-B")	1	HU00439801	
3	Key	1	HU00445372	
4	O-Ring (70 Duro Buna PRP-239)	1	68101-239	*▲
5	Wear Plate	1	HU00650748	
6	O-Ring (90 Duro Buna PRP-239)	1	68104-239	*▲
7	Cap Screw (M12 x 40 DIN 912-8.8)	4	60118-141	
8	O-Ring (90 Duro Buna PRP-155)	1	68104-155	*▲

\* Contained in Seal Kit (P) 5440-635-033

▲ Contained in Seal Kit (N) 5440-635-038

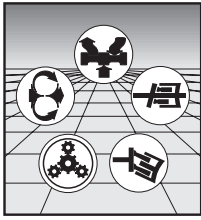


### Thru Drive Charge Pump (F07...SAE-C)



Assembly Number  
**HU00606801**





# REXROTH CORPORATION

## MOBILE HYDRAULICS DIVISION

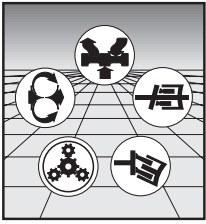
Thru Drive Charge Pump  
(F07...SAE-C)

Assembly Number  
**HU00606801**

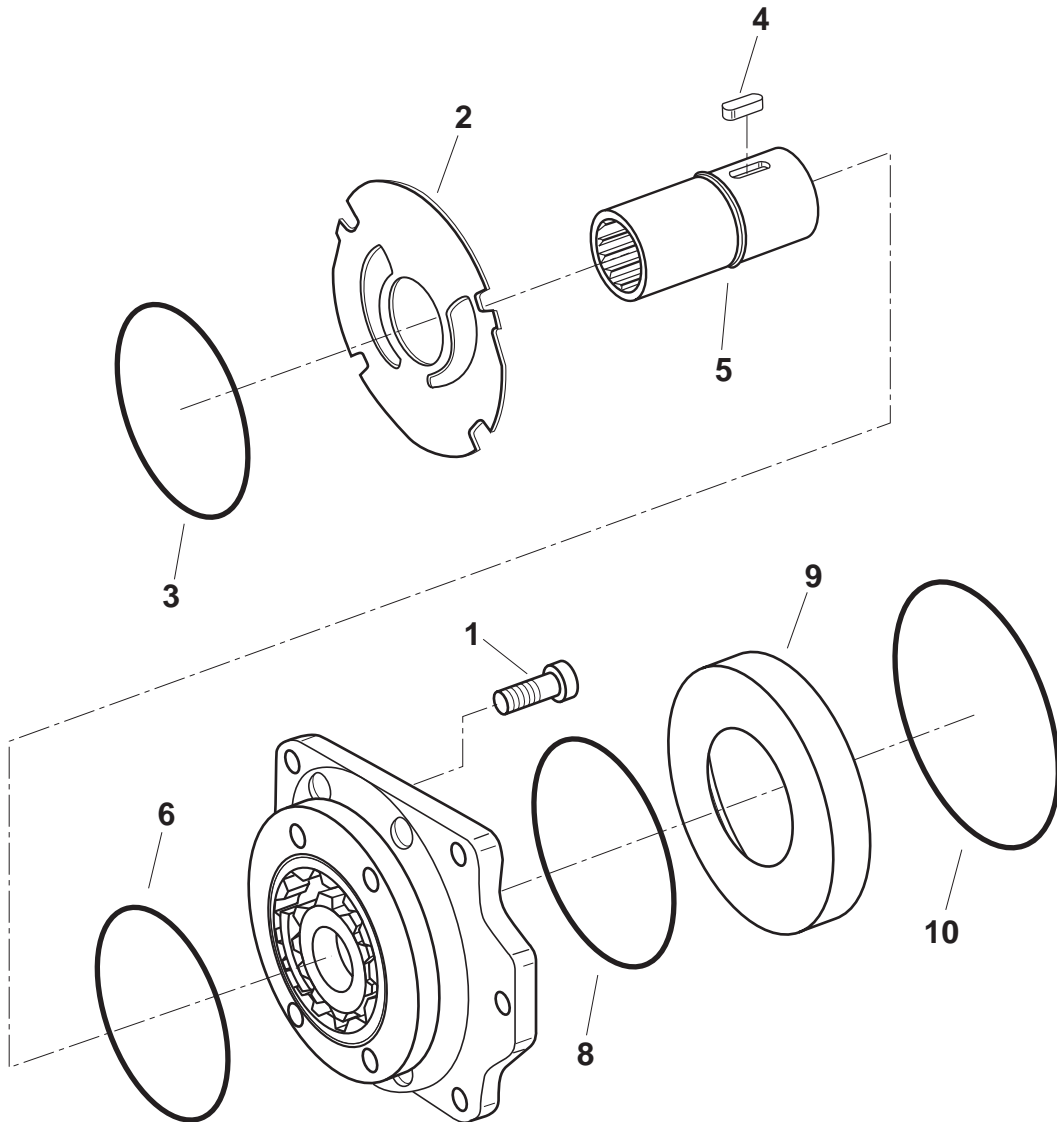
Item	Description	Qty	Part Number	
1	Retaining Ring	1	HU00156930	
2	Thru-Drive Coupling (SAE "C")	1	HU00440595	
3	Key	1	HU00083962	
4	O-Ring (90 Duro Buna PRP-239)	2	68104-239	*▲
5	Wear Plate	1	HU0065048	
6	Cap Screw (M12 x 40 DIN 912-8.8)	4	HU00440647	
7	O-Ring (90 Duro Buna PRP-155)	1	68104-155	*▲
8	Adapter	1	HU00440647	
9	O-Ring (90 Duro Buna PRP-159)	1	68101-159	*▲

\* Contained in Seal Kit (P) 5440-635-033

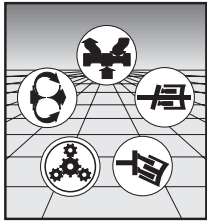
▲ Contained in Seal Kit (N) 5440-635-038



### Thru Drive Charge Pump (F73...SAE-D)



Assembly Number  
**HU00606805**



# REXROTH CORPORATION MOBILE HYDRAULICS DIVISION

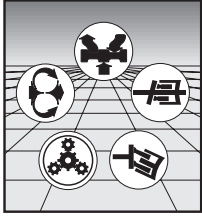
Thru Drive Charge Pump  
(F73...SAE-D)

Assembly Number  
**HU00606805**

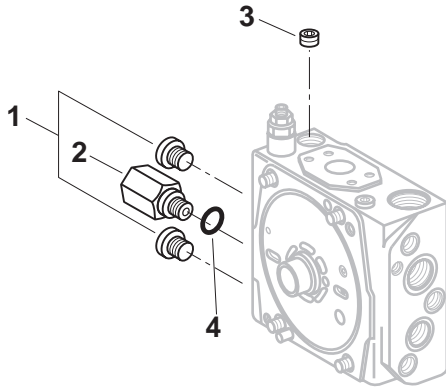
Item	Description	Qty	Part Number	
1	Cap Screw (M12 x 30 DIN 912-10.9)	4	60119-136	
2	Wear Plate	1	HU00650748	
3	O-Ring (70 Duro Buna PRP-239)	1	68101-239	*
4	Key	1	HU00449745	
5	Thru-Drive Coupling (SAE "D")	1	HU00650376	
6	O-Ring (90 Duro Buna PRP-239)	1	68104-239	
8	O-Ring (90 Duro Buna PRP-155)	1	68104-155	*
9	Intermediate Flange	1	HU00439896	
10	O-Ring (90 Duro Buna PRP-258)	1	68104-258	*

\* Contained in Seal Kit (P) 5440-635-033

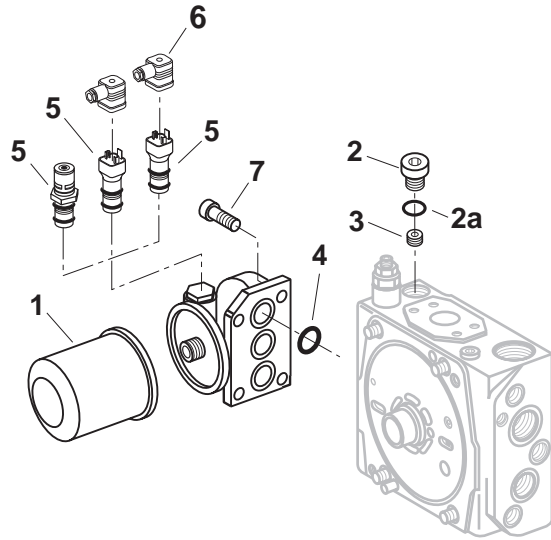
▲ Contained in Seal Kit (N) 5440-635-038



# Filtration Options



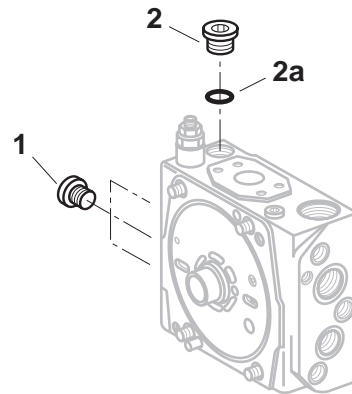
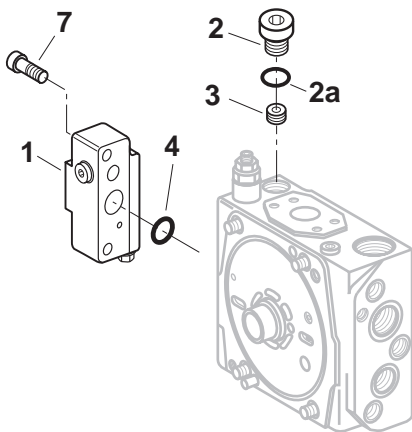
Option D

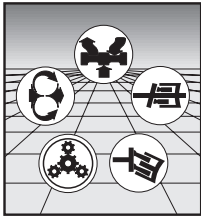


Option's F, P, L, M

Option K

Option S





# REXROTH CORPORATION

## MOBILE HYDRAULICS DIVISION

### Filtration Options

Item	Description	Qty	Part Number	
<b>Option D</b>				
1	Plug (M22 x 1.5)	2	76116-009	*▲
2	Adapter fitting (M22 to 1 1/16-12)	1	HU00448824	
3	Plug (M18 x 1.5 DIN 906)	1	76117-007	
4	O-Ring (90 Duro Buna PRP-118)	1	68104-118	*▲
<b>Option F, P, L, M</b>				
1	Filter Element	1	HU00157926	
2	Plug (1 1/16-12 UNF)	1	76107-012	
2a	O-Ring (90 Duro Buna Tube PRP-912)	1	68105-912	*▲■
3	Plug (M18 x 1.5 DIN 906)	1	76117-007	
4	O-Ring (90 Duro Buna PRP-118)	3	68104-118	*▲
5	Visual Contamination Indicator	1	HU00830834	
5	Electrical Contamination Indicator	1	HU00830265	
5	Visual and Electrical Contamination Indicator	1	HU00830543	
6	Electrical Connector	1	HU00152503	
7	Cap Screw (M8 x 25 DIN 912-8.8)	4	60118-083	
<b>Option K</b>				
1	Cold Start Valve	1	HU02006412	
2	Plug (1 1/16-12 UNF)	1	76107-012	
2a	O-Ring (90 Duro Buna Tube PRP-912)	1	68105-912	*▲■
3	Plug (M18 x 1.5 DIN 906)	1	76117-007	
4	O-Ring (90 Duro Buna PRP-118)	3	68104-118	*▲
7	Cap Screw (M8 x 30 DIN 912-8.8)	3	60118-084	
<b>Option S</b>				
1	Plug (M22 x 1.5)	3	76116-009	*▲
2	Plug (1 1/16-12 UNF)	1	76107-012	
2a	O-Ring (90 Duro Buna Tube PRP-912)	1	68105-912	*▲■

- \* Contained in Seal Kit (P) 5440-635-033
- ▲ Contained in Seal Kit (N) 5440-635-038
- Included with 76107-012

## Variable Displacement Pump AA4VG Series 32

**Specifications, descriptions, and illustrative material shown herein were as accurate as known at the time this publication was printed. Rexroth reserves the right to discontinue models or options at any time or to change specifications, materials, or designs without notice and without incurring obligation.**

DISTRIBUTED BY: