

Spare parts list

Product Unit
Axial Piston Units

Part No.: R909442008

Designation: A4VO130/A4FO28LCDS/10R *G*

Drawing no.: R909707978

Pos.	Part No.	Designation	Quantity	
1	R909428720	ROTARY GROUP	1 ST	L
2	R909429792	A4FO28/31L *Z*	1 ST	L
3	R909442090	PORT PLATE WITH ACCESSORIES	1 ST	L
4	R909448987	REGULATOR	1 ST	L
5	R909420840	CONTROL, HYDRAULIC	2 ST	L
10	R909439934	HOUSING	1 ST	
12	R909414045	CONNECTING AGAINST TORSION	1 ST	
15	R909157222	SOCKET-HEAD SCREW	4 ST	
16	R909431056	INTERMEDIATE FLANGE	1 ST	
19	R909083023	SOCKET-HEAD SCREW	2 ST	D
40	R909831490	O-RING	1 ST	D

Spare parts list

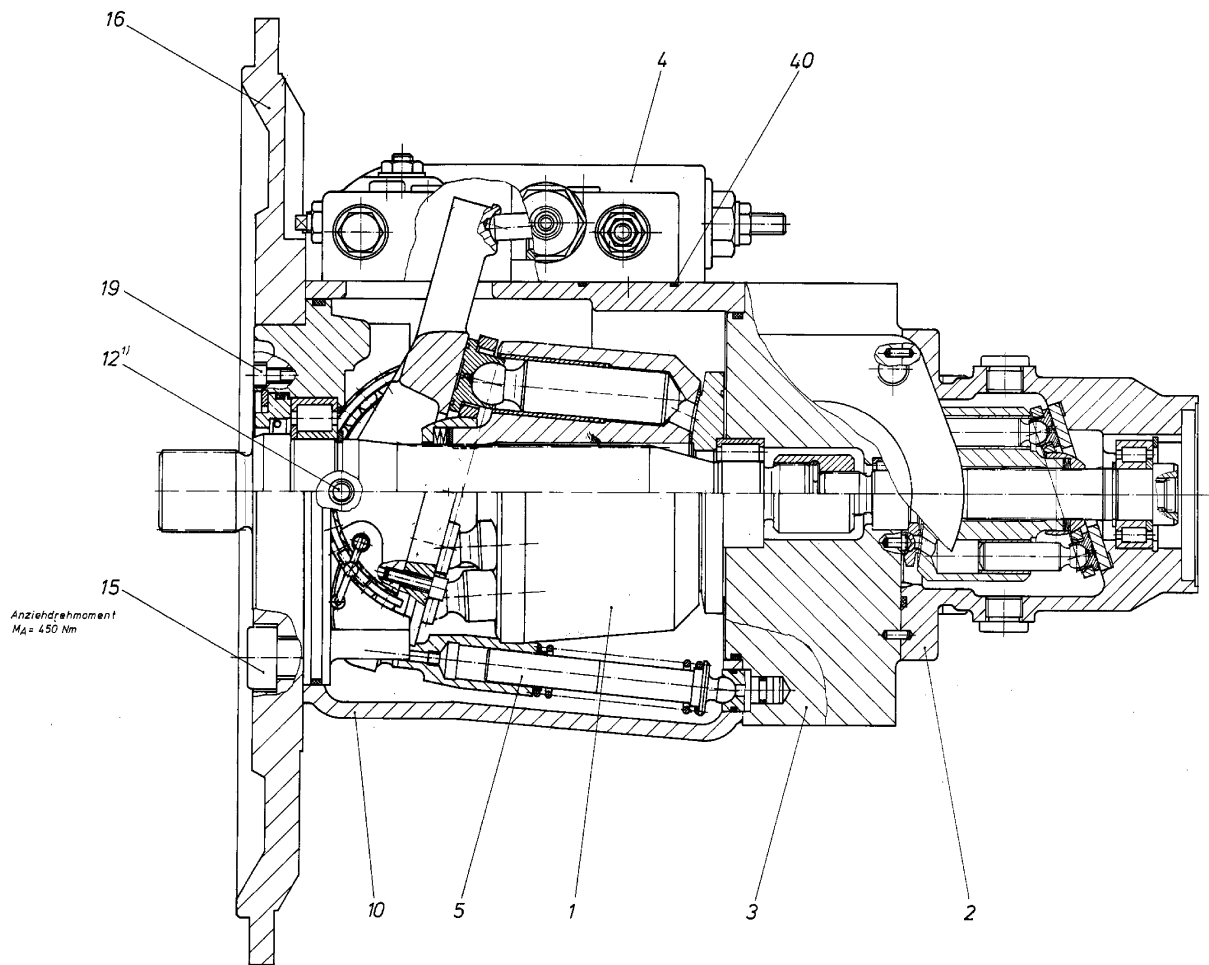
Product Unit
Axial Piston Units

Part No.: R909442008

Designation: A4VO130/A4FO28LCDS/10R

G

Drawing no.: R909707978



11 mit LOCTITE 262 gesichert / abgedichtet

Spare parts list

Product Unit
Axial Piston Units

Part No.: R909428720
Designation: ROTARY GROUP

Drawing no.: R909703016

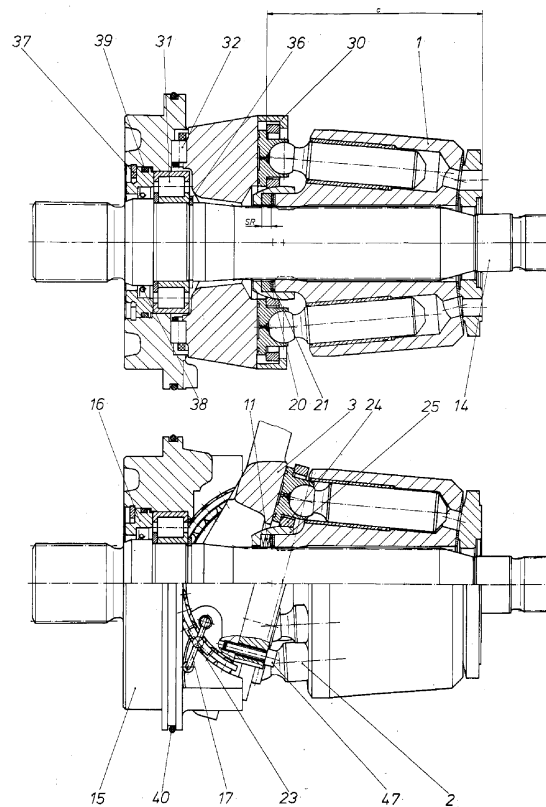
Pos.	Part No.	Designation	Quantity	
1	R909420711	CYLINDER WITH CONTROL PLATE	1 ST	
2	R909078189	PISTON-SLIPPER PAD	9 ST	
3	R909429679	CRADLE WITH ACCESSORIES	1 ST	L
11	R909074128	CUP-SPRING STACK	1 ST	
14	R909425380	DRIVE SHAFT	1 ST	
15	R909435239	BEARING FLANGE	1 ST	
16	R909420706	COVER	1 ST	D
17	R909417959	WIRE	2 ST	
20	R909413043	SHIM	1 ST	
20	R909078319	SHIM	1 ST	
20	R909412706	SHIM	1 ST	
20	R909412707	SHIM	1 ST	
21	R909413108	SHIM	1 ST	
23	R909401842	ROLLER	2 ST	
24	R909431914	RETAINING PLATE	1 ST	
25	R909426460	RETAINING BALL	1 ST	
30	R909431891	RETAINING SEGMENT	2 ST	
31	R909156269	PLAIN ROLLER BEARING	1 ST	
32	R909401843	BEARING SEGMENT, COMPLETE	2 ST	L
36	R909084416	RETAINING RING	1 ST	
37	R909154609	RETAINING RING	1 ST	
38	R909154345	SHAFT SEAL RING	1 ST	D
39	R909083824	O-RING	1 ST	D
40	R909157233	O-RING	1 ST	D
47	R909831330	SOCKET-HEAD SCREW	4 ST	

Spare parts list

Part No.: R909428720
Designation: ROTARY GROUP

Product Unit
Axial Piston Units

Drawing no.: R909703016



Abstimmt c bei $d = 0^{\circ}$
Breite des Simulerringes SR 7:55
c = 197,86_{d,2}

Spare parts list

Product Unit

Axial Piston Units

Part No.: R909429679

Designation: CRADLE WITH ACCESSORIES

Pos.	Part No.	Designation	Quantity	
1	R909435224	CRADLE	1 ST	
3	R909076231	JOINT PIN	2 ST	
10	R909153928	CLAMPING PIN	2 ST	
12	R909831319	DOUBLE BREAK-OFF PIN	1 ST	D
13	R909831316	DOUBLE BREAK-OFF PIN	1 ST	
14	R909086712	THREADED PIN	1 ST	

Spare parts list

Product Unit

Axial Piston Units

Part No.: R909401843

Designation: BEARING SEGMENT, COMPLETE

Pos.	Part No.	Designation	Quantity
1	R909401844	ROLLER CAGE	1 ST
3	R909154505	CYLINDER ROLLER	11 ST

Spare parts list

Product Unit

Axial Piston Units

Part No.: R909429792

Designation: A4FO28/31L

Z

Drawing no.: R909707615

Pos.	Part No.	Designation	Quantity	
1	R909434323	ROTARY GROUP	1 ST	L
11	R909432041	HOUSING	1 ST	
18	R909085365	O-RING	1 ST	D
20	R909083087	SOCKET-HEAD SCREW	4 ST	
21	R909083252	LOCK WASHER	4 ST	
25	R909153815	LOCKING SCREW	2 ST	D

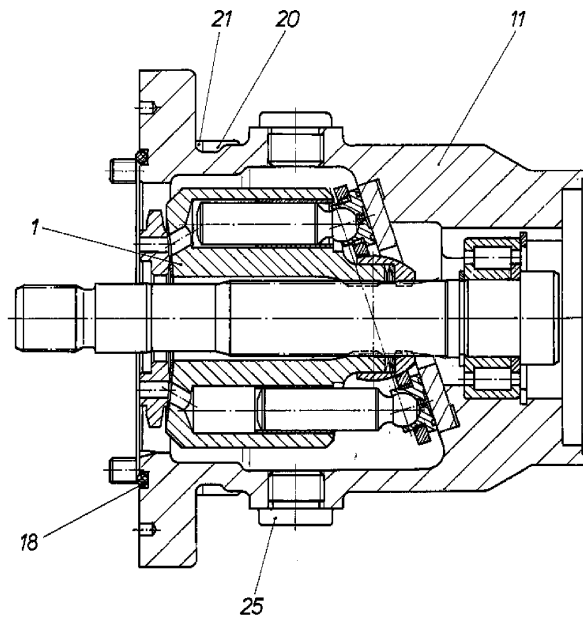
Spare parts list

Part No.: R909429792
Designation: A4FO28/31L

Z

Product Unit
Axial Piston Units

Drawing no.: R909707615



Spare parts list

Product Unit

Axial Piston Units

Part No.: R909434323

Designation: ROTARY GROUP

Drawing no.: R909702989

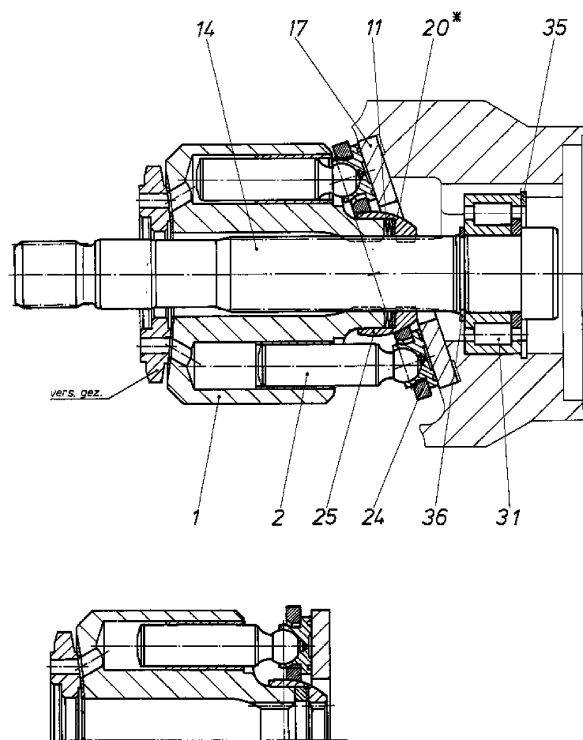
Pos.	Part No.	Designation	Quantity
1	R909435450	CYLINDER WITH CONTROL PLATE	1 ST
2	R909431514	PISTON-SLIPPER PAD	9 ST
11	R909444151	CUP-SPRING STACK	1 ST
14	R909435542	DRIVE SHAFT	1 ST
17	R909430645	SLIPPER DISC	1 ST
20	R909435000	SHIM	1 ST
20	R909432999	SHIM	1 ST
20	R909435001	SHIM	1 ST
20	R909435002	SHIM	1 ST
24	R909443284	RETAINING PLATE	1 ST
25	R909431343	RETAINING BALL	1 ST
31	R909157795	PLAIN ROLLER BEARING	1 ST
35	R909083404	RETAINING RING	1 ST
36	R909083355	RETAINING RING	1 ST

Spare parts list

Part No.: R909434323
Designation: ROTARY GROUP

Product Unit
Axial Piston Units

Drawing no.: R909702989



Spare parts listProduct Unit
Axial Piston UnitsPart No.: R909442090
Designation: PORT PLATE WITH ACCESSORIES

Drawing no.: R909705634

Pos.	Part No.	Designation	Quantity	
1	R909443699	PORT PLATE	1 ST	
2	R909426718	CLUTCH HUB	1 ST	
3	R909405732	DOWEL PIN	2 ST	
10	R909086482	O-RING	1 ST	D
11	R909153245	PLAIN ROLLER BEARING	1 ST	
12	R909157761	SNAP RING	1 ST	
13	R909831319	DOUBLE BREAK-OFF PIN	3 ST	D
14	R909156113	PLAIN ROLLER BEARING	1 ST	
15	R909157512	O-RING	2 ST	D
16	R909087694	CYLINDER PIN	2 ST	
17	R909151692	LOCKING SCREW	2 ST	D
23	R909830313	CLAMPING PIN	2 ST	

Spare parts list

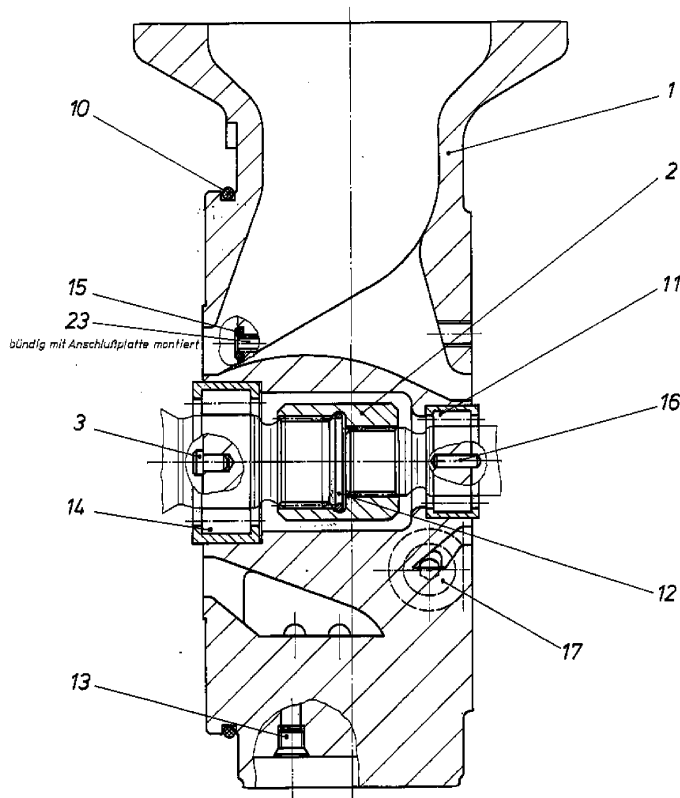
Part No.: R909442090

Designation: PORT PLATE WITH ACCESSORIES

Product Unit

Axial Piston Units

Drawing no.: R909705634



Spare parts list

Product Unit
Axial Piston Units

Part No.: R909448987
Designation: REGULATOR

Drawing no.: R909725653

Pos.	Part No.	Designation	Quantity	
1	R909449317	CONTROL HOUSING	1 ST	
2	R909449318	POSITIONING PISTON	1 ST	
3	R909431052	CONTROL BUSH	1 ST	
4	R909425851	CONTROL PISTON	1 ST	
5	R909425849	CONTROL PISTON	1 ST	
6	R909432197	ECCENTRIC	1 ST	
7	R909430912	LEVER	1 ST	
8	R909408853	SPRING COLLAR	2 ST	
9	R909426055	PRESSURE SPRING	1 ST	
10	R909439104	SPRING BOLT	1 ST	
11	R909439100	PRESSURE SPRING	1 ST	
12	R909439099	PRESSURE SPRING	1 ST	
13	R909435133	LOCKING SCREW	1 ST	
14	R909439541	GUIDE BUSHING	1 ST	
15	R909410086	THREADED PIN	1 ST	
16	R909423104	PISTON-SLIPPER PAD	1 ST	
17	R909420811	LOCKING SCREW	1 ST	
18	R909439103	SPRING BOLT	1 ST	
19	R909435138	THREADED PIN	1 ST	
20	R909408860	LOCKING SCREW	1 ST	
22	R909435015	SEAL BUSH	2 ST	
23	R909433761	PRESSURE COMPENSATOR	1 ST	L
30	R909083758	O-RING	3 ST	D
31	R909152707	SEAL LOCK NUT	2 ST	D
32	R909083239	LOCKING SCREW	1 ST	
33	R909426067	MEASURING PISTON	1 ST	
35	R909152426	SEAL LOCK NUT	3 ST	D
36	R909154690	THREADED PIN	1 ST	
37	R909153364	LOCKING SCREW	1 ST	D
38	R909156494	ORIFICE	1 ST	D
44	R909157042	CYLINDER PIN	1 ST	
45	R909152600	CYLINDER PIN	2 ST	
46	R909083067	SOCKET-HEAD SCREW	4 ST	
47	R909086949	O-RING	1 ST	D
48	R909086729	O-RING	1 ST	D
49	R909157512	O-RING	2 ST	D

L = Assembly group D = Sealing element

Status of version: 3/2004

Page: 13

Date: 14.10.2004

Spare parts list

Product Unit

Axial Piston Units

Part No.: R909448987

Designation: REGULATOR

Drawing no.: R909725653

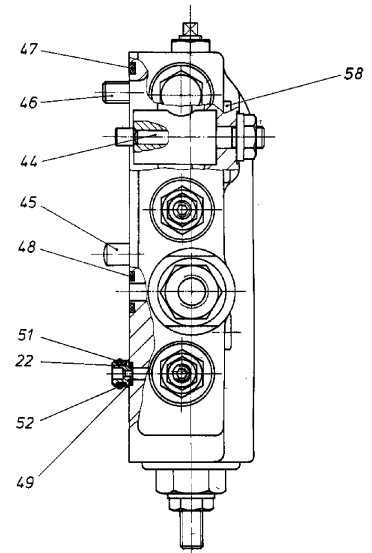
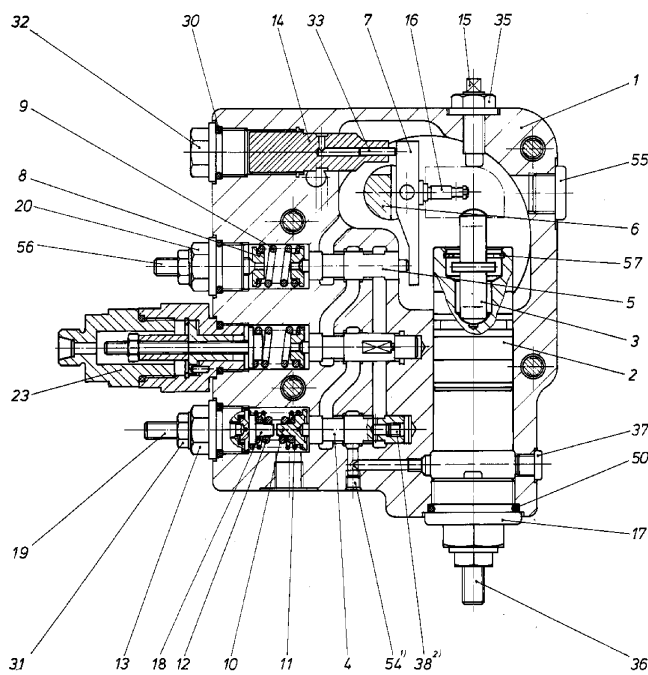
50	R909830076	O-RING	1 ST	D
51	R909085709	O-RING	2 ST	D
52	R909087062	TEFLON BACK-UP RING	2 ST	D
54	R909831318	DOUBLE BREAK-OFF PIN	2 ST	D
55	R909153815	LOCKING SCREW	1 ST	D
56	R909156587	THREADED PIN	1 ST	
57	R909157872	RETAINING RING	1 ST	
58	R909151692	LOCKING SCREW	1 ST	D

Spare parts list

Part No.: R909448987
Designation: REGULATOR

Product Unit
Axial Piston Units

Drawing no.: R909725653



2) Anziehdrehmoment $M_A = 0,5 \text{ Nm}$

1) mit LOCTITE 262 gesichert/abgedichtet

Spare parts listProduct Unit
Axial Piston UnitsPart No.: R909433761
Designation: PRESSURE COMPENSATOR

Drawing no.: R909725670

Pos.	Part No.	Designation	Quantity	
1	R909432914	CONNECTING PIECE	1 ST	
2	R909425627	FITTING	1 ST	
3	R909430297	POSITIONING PISTON	1 ST	
4	R909431610	PRESSURE SPRING	1 ST	
5	R909408853	SPRING COLLAR	2 ST	
6	R909432386	CONTROL PISTON	1 ST	
7	R909432915	SPACER BUSH	1 ST	
10	R909830177	THREADED PIN	1 ST	
11	R909083758	O-RING	1 ST	D
12	R909085625	GROOVED RIVET	1 ST	
13	R909083387	RETAINING RING	1 ST	
14	R909083611	HEXAGON NUT	1 ST	
15	R909086510	O-RING	1 ST	D
16	R909156050	SHIM	1 ST	
17	R909154323	SHIM	1 ST	

Spare parts list

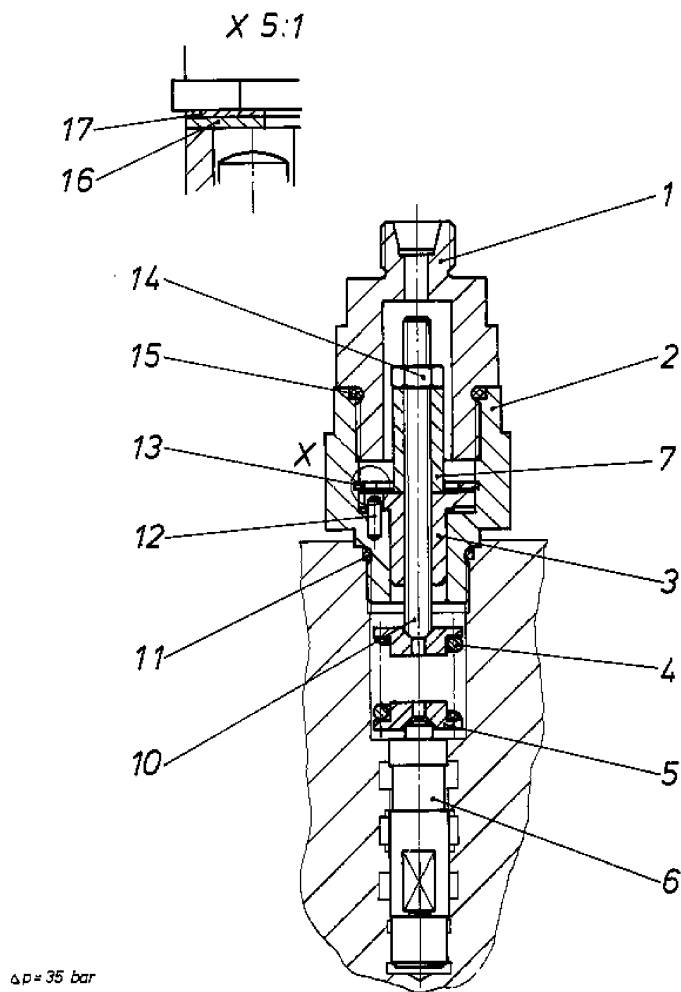
Part No.: R909433761

Designation: PRESSURE COMPENSATOR

Product Unit

Axial Piston Units

Drawing no.: R909725670



L = Assembly group D = Sealing element

Status of version: 3/2004

Brueninghaus Hydromatik GmbH, Werk Elchingen, GlockeraustraÙe 2, D-89275 Elchingen

Page: 17

Date: 14.10.2004

Spare parts list

Product Unit

Axial Piston Units

Part No.: R909420840

Designation: CONTROL, HYDRAULIC

Drawing no.: R909730102

Pos.	Part No.	Designation	Quantity	
1	R909420808	CYLINDER	1 ST	
2	R909420807	PISTON	1 ST	
3	R909420806	BALL BUSHING	1 ST	
4	R909420805	PRESSURE SPRING	1 ST	
5	R909085709	O-RING	1 ST	D
6	R909084939	O-RING	1 ST	D
7	R909157232	TEFLON BACK-UP RING	1 ST	D

Spare parts list

Part No.: R909420840
Designation: CONTROL, HYDRAULIC

Product Unit
Axial Piston Units

Drawing no.: R909730102

