

Spare parts list

Product Unit
Axial Piston Units

Part No.: R902060349

Designation: A6VE107HA2T/63W-VZU020DA-S

Drawing no.: R909724049

Pos.	Part No.	Designation	Quantity	
1	R909604694	ROTARY GROUP	1 ST	L
2	R909604185	CONTROL	1 ST	L
5	R902063787	HOUSING	1 ST	
9	R909083415	RETAINING RING	1 ST	
10	R909831662	SHAFT SEAL RING	1 ST	D
11	R909087019	BACK-UP PLATE	1 ST	D
12	R909086482	O-RING	1 ST	D
13	R909156651	LOCKING SCREW	1 ST	D
17	R909446862	THREADED PIN	2 ST	L
18	R909152459	SEAL LOCK NUT	2 ST	D

Safety Notes:

Service – and repair works have to be carried out by the Bosch Rexroth AG or their repair stations only. We do not grant any warranty for defects due to assembly, maintenance or repair not effected by the Bosch Rexroth AG or their repair stations.

L = Assembly group D = Sealing element

Page: 1

Date: 07.06.2007

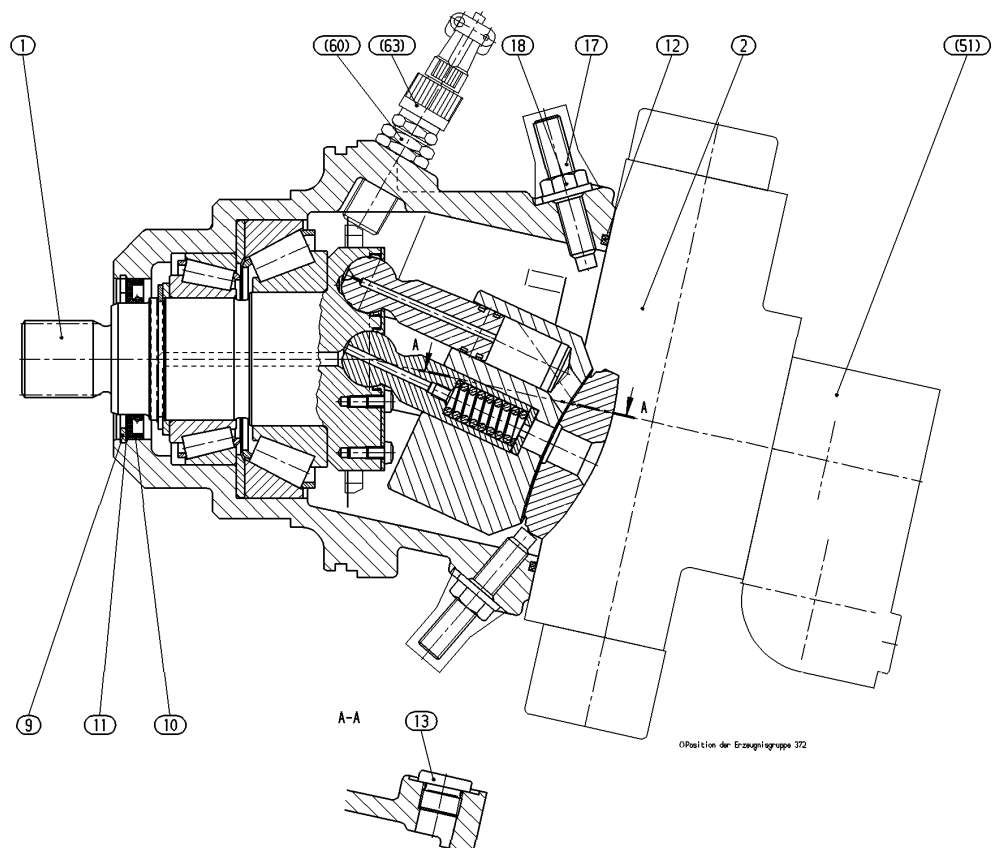
Spare parts list

Product Unit
Axial Piston Units

Part No.: R902060349

Designation: A6VE107HA2T/63W-VZU020DA-S

Drawing no.: R909724049



Spare parts list

Product Unit
Axial Piston Units

Part No.: R909604694

Designation: ROTARY GROUP

Drawing no.: R902117951

Pos.	Part No.	Designation	Quantity	
1	R909603782	ROTARY GROUP, HYDR. SECTION	1 ST	L
2	R902117723	DRIVE SHAFT WITH GEAR RING	1 ST	
3	R909651520	SHIM	1 ST	
6	R909651281	BACK-UP PLATE	1 ST	
6	R909921452	BACK-UP PLATE	1 ST	
6	R909921453	BACK-UP PLATE	1 ST	
6	R909921454	BACK-UP PLATE	1 ST	
6	R909921455	BACK-UP PLATE	1 ST	
6	R909921456	BACK-UP PLATE	1 ST	
6	R909921457	BACK-UP PLATE	1 ST	
6	R909921458	BACK-UP PLATE	1 ST	
6	R909921459	BACK-UP PLATE	1 ST	
7	R909084419	RETAINING RING	1 ST	
10	R909154344	TAPERED-ROLLER BEARING	1 ST	
11	R909152775	TAPERED-ROLLER BEARING	1 ST	

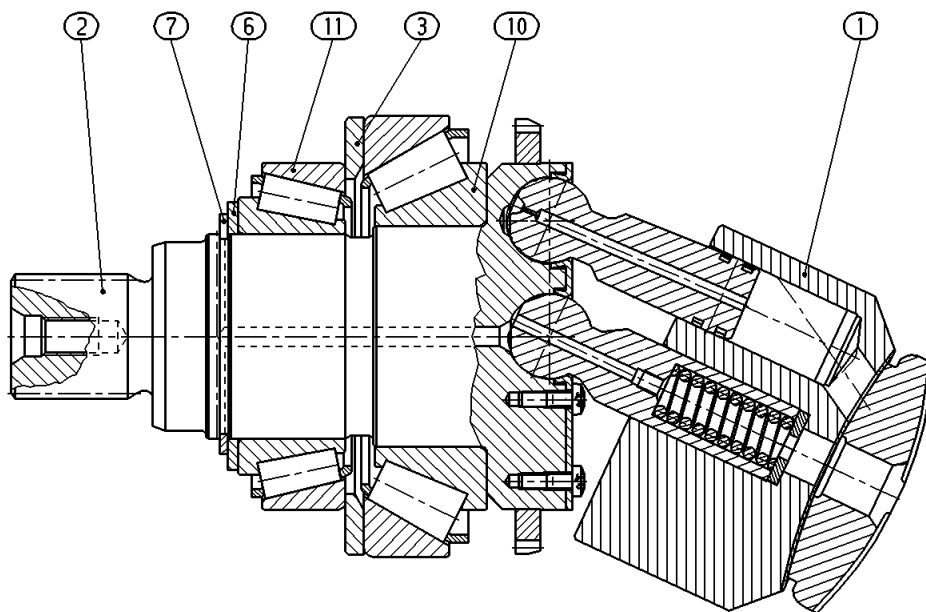
Spare parts list

Product Unit
Axial Piston Units

Part No.: R909604694

Designation: ROTARY GROUP

Drawing no.: R902117951



Spare parts list

Product Unit
Axial Piston Units

Part No.: R909603782

Designation: ROTARY GROUP, HYDR. SECTION

Drawing no.: R909700485

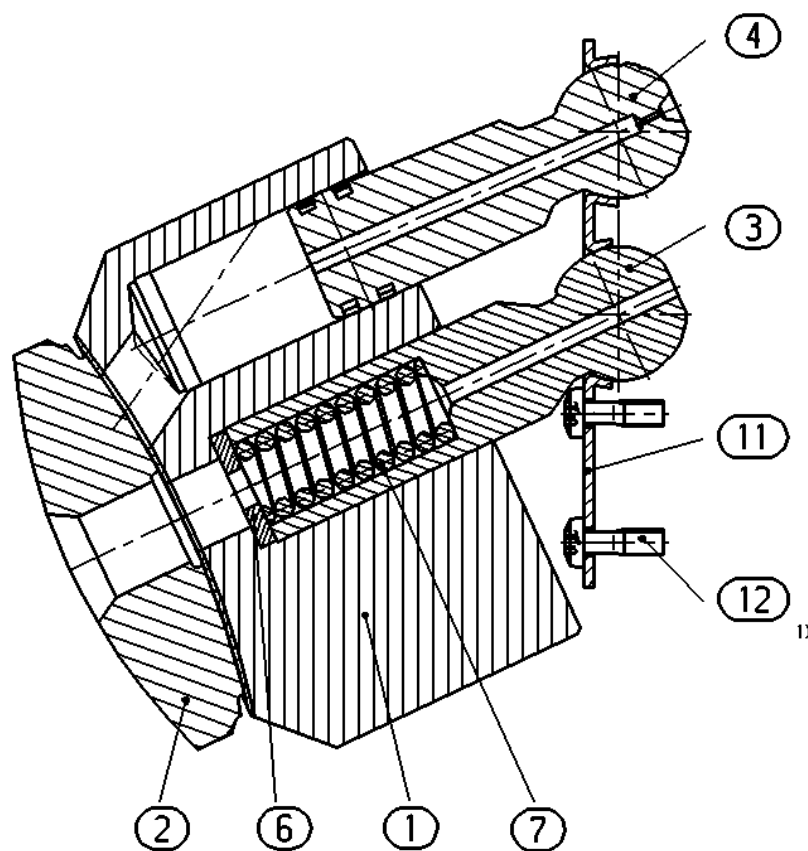
Pos.	Part No.	Designation	Quantity	
1	R909421288	CYLINDER	1 ST	
2	R909921788	CONTROL LENS	1 ST	
3	R909921524	CENTER PIN	1 ST	
4	R902021903	PISTON WITH PISTON RINGS	7 ST	L
6	R909921535	ADJUSTMENT SHIM	1 ST	
6	R909921536	ADJUSTMENT SHIM	1 ST	
6	R909921537	ADJUSTMENT SHIM	1 ST	
6	R909921538	ADJUSTMENT SHIM	1 ST	
6	R909921539	ADJUSTMENT SHIM	1 ST	
6	R909921540	ADJUSTMENT SHIM	1 ST	
7	R909921541	PRESSURE SPRING	1 ST	
11	R902024999	RETAINING PLATE	1 ST	
12	R902602493	SCREW (COUNTERSUNK)	14 ST	

Spare parts list

Part No.: R909603782

Designation: ROTARY GROUP, HYDR. SECTION

Drawing no.: R909700485



1) N02, 119 beachten

Spare parts list

Product Unit
Axial Piston Units

Part No.: R902021903

Designation: PISTON WITH PISTON RINGS

Drawing no.: R902021890

Pos.	Part No.	Designation	Quantity
1	R909443470	PISTON	1 ST
2	R909831895	STEEL SEALING RING	2 ST

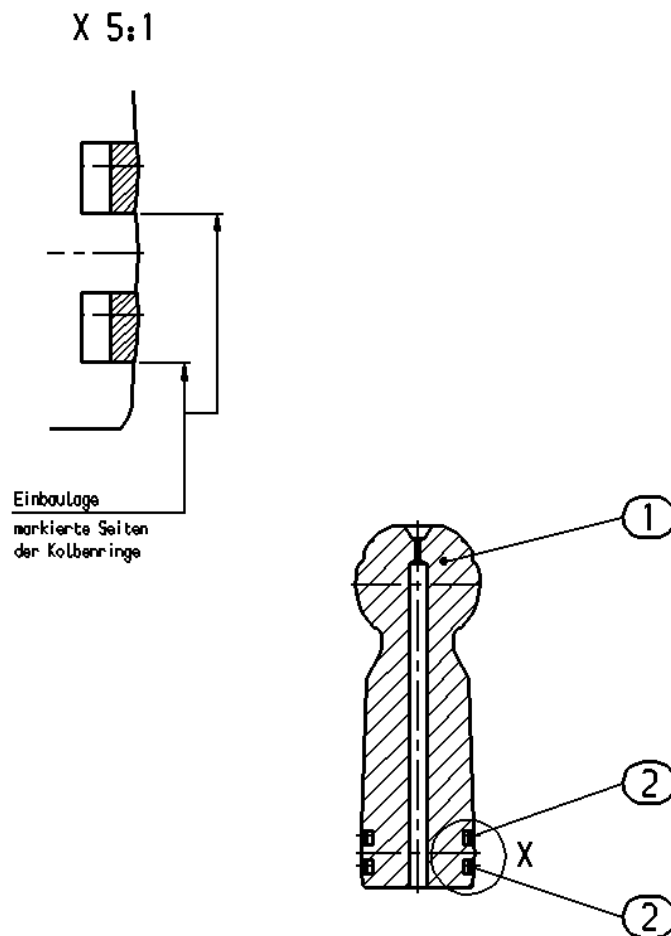
Spare parts list

Product Unit
Axial Piston Units

Part No.: R902021903

Designation: PISTON WITH PISTON RINGS

Drawing no.: R902021890



Spare parts list

Product Unit
Axial Piston Units

Part No.: R909604185

Designation: CONTROL

Drawing no.: R909729201

Pos.	Part No.	Designation	Quantity	
1	R909604165	CONTROL PART	1 ST	L
2	R909603841	COVER	1 ST	L
3	R909921403	PORT PLATE	1 ST	
4	R909921437	POSITIONING PISTON	1 ST	
5	R909422217	POSITIONING TRUNNION	1 ST	
7	R909652202	PISTON	1 ST	
8	R909445015	THREADED PIN	1 ST	
10	R902075344	VALVE GUIDE	2 ST	
11	R909426662	BOLT	2 ST	
13	R909412756	BUSH	2 ST	
15	R909083090	SOCKET-HEAD SCREW	8 ST	D
19	R909830726	O-RING	2 ST	D
20	R909085577	O-RING	6 ST	D
21	R909086487	O-RING	2 ST	D
22	R902602322	BACK-UP RING	2 ST	
23	R909083204	SOCKET-HEAD SCREW	1 ST	
24	R909832144	SQUARE RING	3 ST	D
26	R909152600	CYLINDER PIN	2 ST	
28	R909831318	DOUBLE BREAK-OFF PIN	1 ST	D

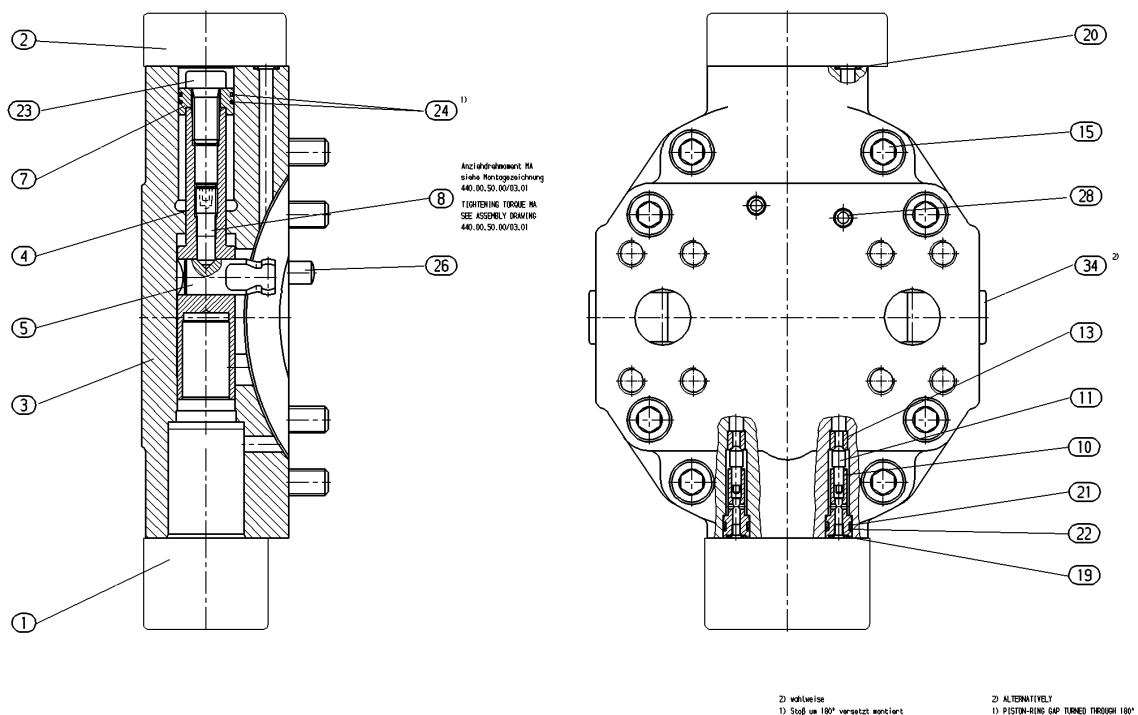
Spare parts list

Product Unit
Axial Piston Units

Part No.: R909604185

Designation: CONTROL

Drawing no.: R909729201



Spare parts list

Product Unit
Axial Piston Units

Part No.: R909604165

Designation: CONTROL PART

Drawing no.: R909729310

Pos.	Part No.	Designation	Quantity	
1	R909411989	CONTROL HOUSING	1 ST	
2	R909417512	CONTROL BUSH	1 ST	
3	R902045455	CONTROL PISTON	1 ST	
4	R909651119	ADJUSTING BUSHING	1 ST	
5	R909921351	SPRING COLLAR	1 ST	
6	R909413198	SPRING COLLAR	1 ST	
7	R909921419	PRESSURE SPRING	1 ST	
8	R909436701	PRESSURE SPRING	1 ST	
9	R909651117	PRESSURE SPRING	1 ST	
14	R909085560	O-RING	1 ST	D
15	R909083042	SOCKET-HEAD SCREW	4 ST	
16	R909153930	LOCKING SCREW	1 ST	D
17	R909083381	RETAINING RING	1 ST	D
19	R909152427	THREADED PIN	1 ST	
20	R909087165	CYLINDER PIN	1 ST	
21	R909152425	SEAL LOCK NUT	1 ST	D
22	R909831317	DOUBLE BREAK-OFF PIN	1 ST	D
23	R909831319	DOUBLE BREAK-OFF PIN	1 ST	D
29	R909085812	RETAINING DISC	1 ST	

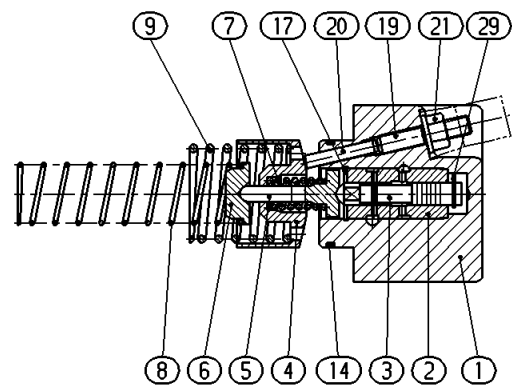
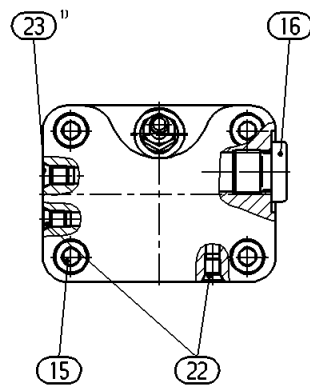
Spare parts list

Product Unit
Axial Piston Units

Part No.: R909604165

Designation: CONTROL PART

Drawing no.: R909729310



1) wahlweise nach Stückliste

Spare parts list

Product Unit
Axial Piston Units

Part No.: R909603841

Designation: COVER

Drawing no.: R902035499

Pos.	Part No.	Designation	Quantity	
1	R909445989	COVER	1 ST	
2	R909400263	THROTTLE SCREW	1 ST	D
3	R909446625	THROTTLE PIN	1 ST	L
4	R909400264	THROTTLE SCREW	1 ST	D
10	R909157771	SOCKET-HEAD SCREW	4 ST	
11	R909085578	O-RING	1 ST	D
12	R909153930	LOCKING SCREW	1 ST	D

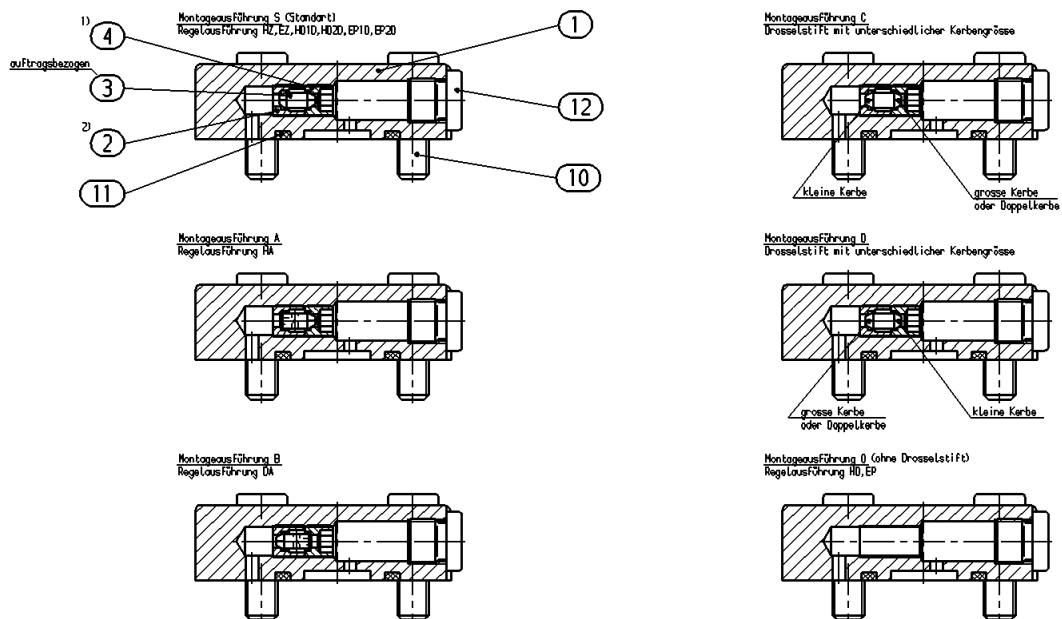
Spare parts list

Product Unit
Axial Piston Units

Part No.: R909603841

Designation: COVER

Drawing no.: R902035499



- 1) Anziehdrehmoment= 8Nm geölt montiert
2) Anziehdrehmoment= 3Nm geölt montiert

Spare parts list

Product Unit
Axial Piston Units

Part No.: R909446625

Designation: THROTTLE PIN

Pos.	Part No.	Designation	Quantity	
3	R909400262	THROTTLE PIN	1 ST	D
4	R909411019	THROTTLE PIN	1 ST	
5	R909410814	THROTTLE PIN	1 ST	
6	R909410142	THROTTLE PIN	1 ST	
8	R909410278	THROTTLE PIN	1 ST	
12	R909651337	THROTTLE PIN	1 ST	
13	R909417118	THROTTLE PIN	1 ST	
14	R909425867	THROTTLE PIN	1 ST	
15	R909425868	THROTTLE PIN	1 ST	
16	R909425869	THROTTLE PIN	1 ST	
18	R909425870	THROTTLE PIN	1 ST	D
19	R909432572	THROTTLE PIN	1 ST	
20	R902083317	THROTTLE PIN	1 ST	
21	R909444305	THROTTLE PIN	1 ST	
22	R909921168	THROTTLE PIN	1 ST	
23	R909650161	THROTTLE PIN	1 ST	
24	R909651078	THROTTLE PIN	2 ST	
25	R909651166	THROTTLE PIN	1 ST	
26	R909651165	THROTTLE PIN	1 ST	
27	R909651195	THROTTLE PIN	1 ST	
28	R902000453	THROTTLE PIN	1 ST	
29	R902009841	THROTTLE PIN	1 ST	

Spare parts list

Product Unit
Axial Piston Units

Part No.: R909446862

Designation: THREADED PIN

Pos.	Part No.	Designation	Quantity	
1	R909086120	THREADED PIN	1 ST	
2	R909083530	THREADED PIN	1 ST	
3	R909085976	THREADED PIN	1 ST	D
4	R909153075	THREADED PIN	1 ST	
5	R909154041	THREADED PIN	1 ST	
6	R909153975	THREADED PIN	1 ST	
7	R909154212	THREADED PIN	1 ST	