

Spare parts list

Product Unit
Axial Piston Units

Part No.: R909605796

Designation: A6VE55HD1/63W-VZL020B

Drawing no.: R909721256

Pos.	Part No.	Designation	Quantity	
1	R909603915	ROTARY GROUP	1 ST	L
2	R909603554	CONTROL	1 ST	L
5	R909921982	HOUSING	1 ST	
9	R909083408	RETAINING RING	1 ST	
10	R909831179	SHAFT SEAL RING	1 ST	D
11	R909087079	BACK-UP PLATE	1 ST	D
12	R909085366	O-RING	1 ST	D
13	R909156651	LOCKING SCREW	1 ST	D
17	R909447003	THREADED PIN	2 ST	L
18	R909152426	SEAL LOCK NUT	2 ST	D

Safety Notes:

Service – and repair works have to be carried out by the Bosch Rexroth AG or their repair stations only. We do not grant any warranty for defects due to assembly, maintenance or repair not effected by the Bosch Rexroth AG or their repair stations.

L = Assembly group D = Sealing element

Page: 1

Date: 08.06.2007

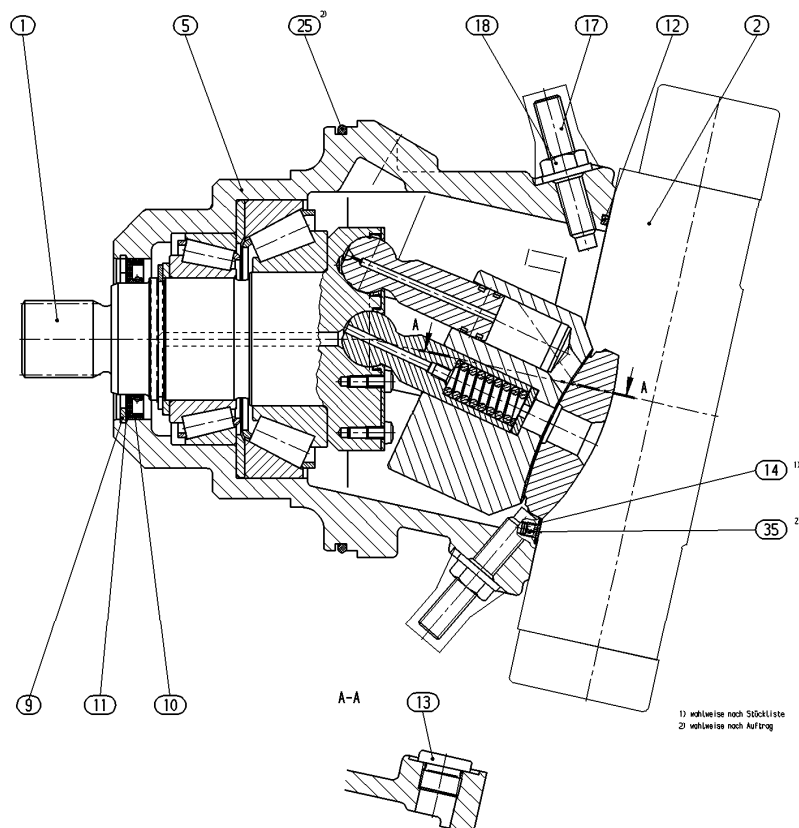
Spare parts list

Product Unit
Axial Piston Units

Part No.: R909605796

Designation: A6VE55HD1/63W-VZL020B

Drawing no.: R909721256



Spare parts list

Product Unit
Axial Piston Units

Part No.: R909603915

Designation: ROTARY GROUP

Drawing no.: R909700413

Pos.	Part No.	Designation	Quantity	
1	R909603991	ROTARY GROUP, HYDR. SECTION	1 ST	L
2	R909921744	DRIVE SHAFT	1 ST	
3	R909651512	SHIM	1 ST	
6	R909921736	BACK-UP PLATE	1 ST	
6	R909921737	BACK-UP PLATE	1 ST	
6	R909921738	BACK-UP PLATE	1 ST	
6	R909921739	BACK-UP PLATE	1 ST	
6	R909921740	BACK-UP PLATE	1 ST	
6	R909921741	BACK-UP PLATE	1 ST	
6	R909921742	BACK-UP PLATE	1 ST	
6	R909921743	BACK-UP PLATE	1 ST	
7	R909084416	RETAINING RING	1 ST	
10	R909154398	TAPERED-ROLLER BEARING	1 ST	
11	R909154399	TAPERED-ROLLER BEARING	1 ST	

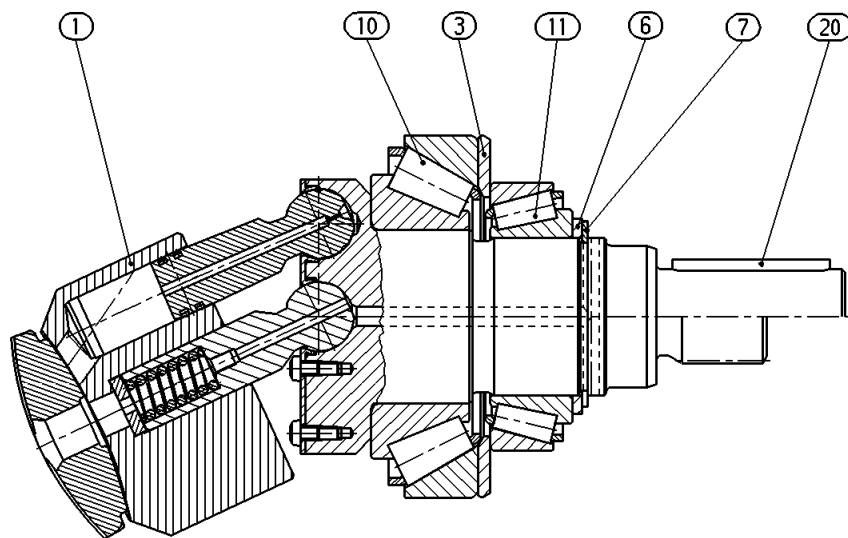
Spare parts list

Product Unit
Axial Piston Units

Part No.: R909603915

Designation: ROTARY GROUP

Drawing no.: R909700413



Spare parts list

Product Unit
Axial Piston Units

Part No.: R909603991

Designation: ROTARY GROUP, HYDR. SECTION

Drawing no.: R909700415

Pos.	Part No.	Designation	Quantity	
1	R909421290	CYLINDER	1 ST	
2	R909921786	CONTROL LENS	1 ST	
3	R909921751	CENTER PIN	1 ST	
4	R902021901	PISTON WITH PISTON RINGS	7 ST	L
6	R909921745	ADJUSTMENT SHIM	1 ST	
6	R909921746	ADJUSTMENT SHIM	1 ST	
6	R909921747	ADJUSTMENT SHIM	1 ST	
6	R909921748	ADJUSTMENT SHIM	1 ST	
6	R909921749	ADJUSTMENT SHIM	1 ST	
6	R909921750	ADJUSTMENT SHIM	1 ST	
7	R909921752	PRESSURE SPRING	1 ST	
11	R902072551	RETAINING PLATE	1 ST	
12	R902602776	PAN HEAD SCREW W. TORX	14 ST	

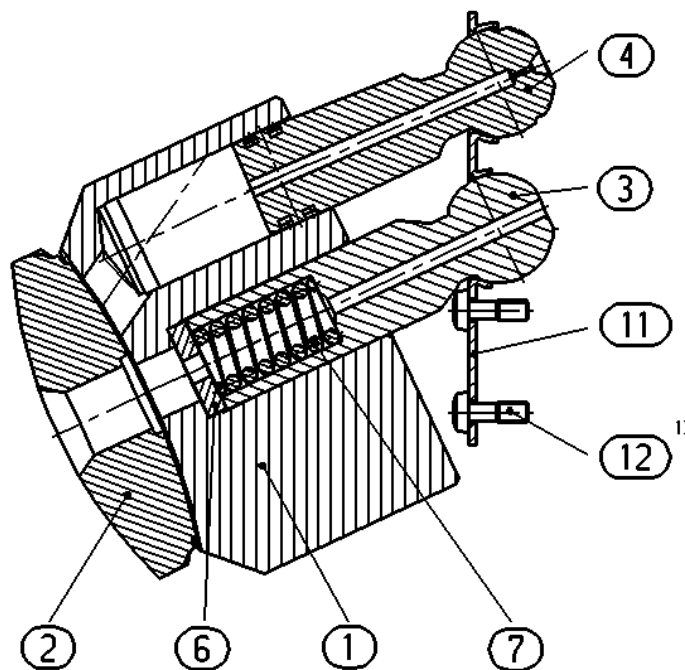
Spare parts list

Product Unit
Axial Piston Units

Part No.: R909603991

Designation: ROTARY GROUP, HYDR. SECTION

Drawing no.: R909700415



1) N02.119 beachten

L = Assembly group D = Sealing element

Page: 6

Date: 08.06.2007

Spare parts list

Product Unit
Axial Piston Units

Part No.: R902021901

Designation: PISTON WITH PISTON RINGS

Drawing no.: R902021890

Pos.	Part No.	Designation	Quantity
1	R909443335	PISTON	1 ST
2	R909831890	STEEL SEALING RING	2 ST

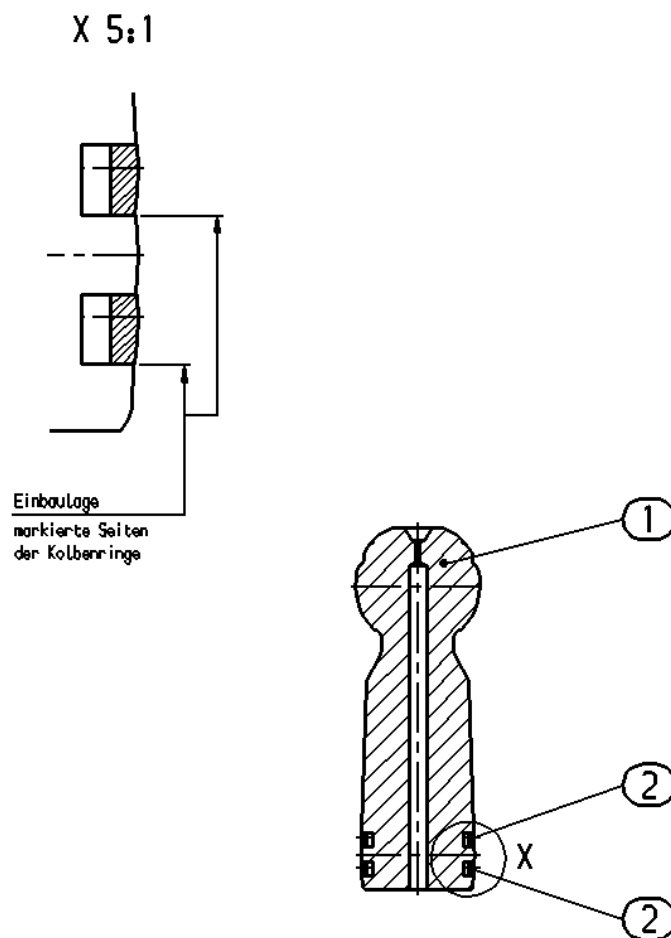
Spare parts list

Product Unit
Axial Piston Units

Part No.: R902021901

Designation: PISTON WITH PISTON RINGS

Drawing no.: R902021890



Spare parts list

Product Unit
Axial Piston Units

Part No.: R909603554

Designation: CONTROL

Drawing no.: R909729201

Pos.	Part No.	Designation	Quantity	
1	R909603920	CONTROL PART	1 ST	L
2	R909603764	COVER	1 ST	L
3	R909921412	PORT PLATE	1 ST	
4	R909921439	POSITIONING PISTON	1 ST	
5	R909422940	POSITIONING TRUNNION	1 ST	
7	R909652200	PISTON	1 ST	
8	R909445056	THREADED PIN	1 ST	
10	R902075344	VALVE GUIDE	2 ST	
11	R909426662	BOLT	2 ST	
13	R909412756	BUSH	2 ST	
15	R909083068	SOCKET-HEAD SCREW	8 ST	
19	R909830726	O-RING	2 ST	D
20	R909085577	O-RING	6 ST	D
21	R909086487	O-RING	2 ST	D
22	R902602322	BACK-UP RING	2 ST	
23	R909083197	SOCKET-HEAD SCREW	1 ST	
24	R909832142	SQUARE RING	3 ST	D
26	R909084174	CYLINDER PIN	2 ST	
28	R909831318	DOUBLE BREAK-OFF PIN	1 ST	D

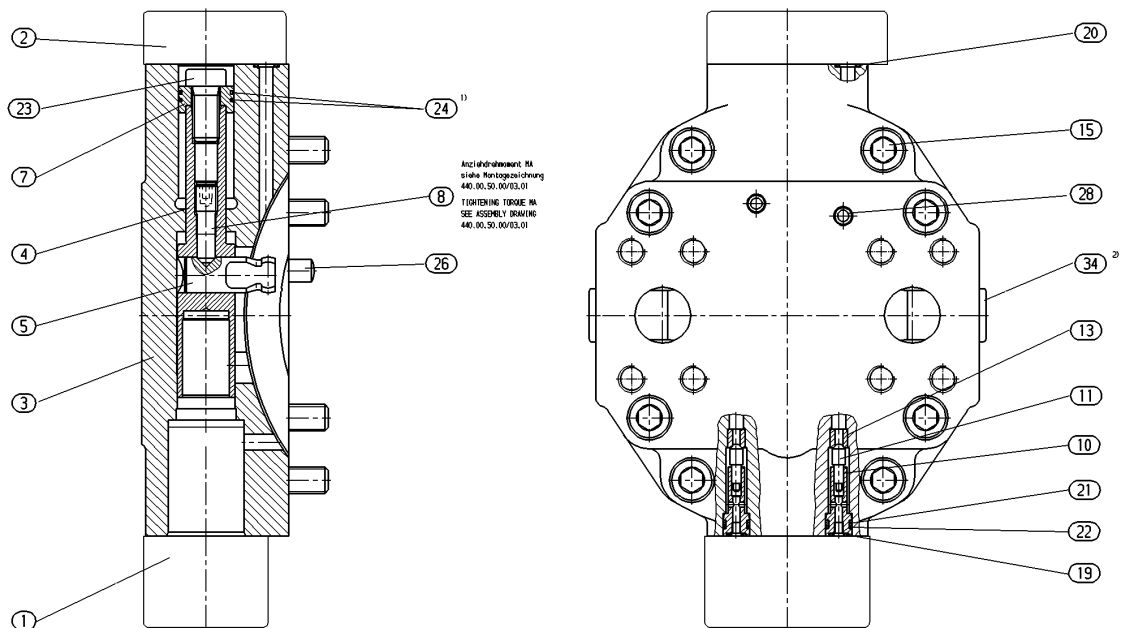
Spare parts list

Product Unit
Axial Piston Units

Part No.: R909603554

Designation: CONTROL

Drawing no.: R909729201



2) wahlweise
1) Stoß um 180° versetzt montiert

2) ALTERNATIVELY
1) PISTON-RING GAP TURNED THROUGH 180°

Spare parts list

Product Unit
Axial Piston Units

Part No.: R909603920

Designation: CONTROL PART

Drawing no.: R909729288

Pos.	Part No.	Designation	Quantity	
1	R909412002	CONTROL HOUSING	1 ST	
2	R909412246	CONTROL BUSH	1 ST	
3	R909412266	CONTROL PISTON	1 ST	
4	R909651118	ADJUSTING BUSHING	1 ST	
5	R909921351	SPRING COLLAR	1 ST	
6	R902024554	SPRING COLLAR	1 ST	
7	R909921420	PRESSURE SPRING	1 ST	
8	R909921135	PRESSURE SPRING	1 ST	
9	R909651116	PRESSURE SPRING	1 ST	
14	R909157562	O-RING	1 ST	D
15	R909083026	SOCKET-HEAD SCREW	4 ST	
16	R909153930	LOCKING SCREW	1 ST	D
17	R909083381	RETAINING RING	1 ST	D
18	R909083488	THREADED PIN	1 ST	
19	R909152427	THREADED PIN	1 ST	
20	R909087756	CYLINDER PIN	1 ST	
21	R909152425	SEAL LOCK NUT	1 ST	D
22	R909831317	DOUBLE BREAK-OFF PIN	1 ST	D

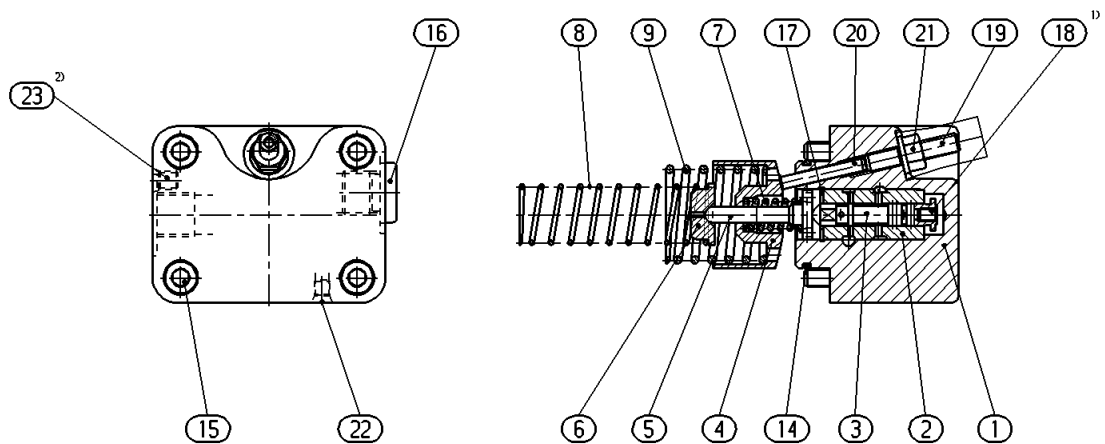
Spare parts list

Product Unit
Axial Piston Units

Part No.: R909603920

Designation: CONTROL PART

Drawing no.: R909729288



2) wdhweise nach Stückliste
ALTERNATIVELY AFTER PARTLIST

1) Pos. an Gewinde mit LOCTITE 262 gesichert/digedichtet
POS. SEALED AND LOCKED ON THE THREADS WITH LOCTITE 262

Spare parts list

Product Unit
Axial Piston Units

Part No.: R909603764

Designation: COVER

Drawing no.: R909731913

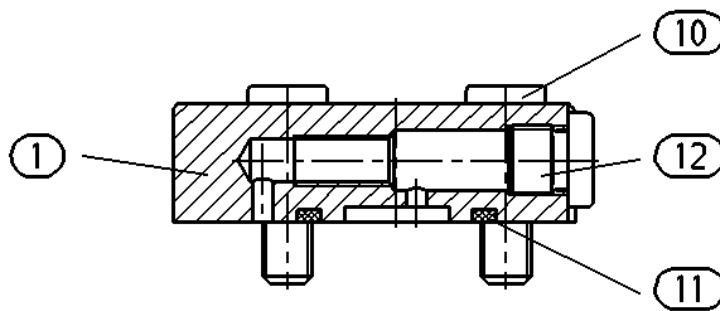
Pos.	Part No.	Designation	Quantity	
1	R909445988	COVER	1 ST	
10	R909831591	SOCKET-HEAD SCREW	4 ST	
11	R909151882	O-RING	1 ST	D
12	R909153930	LOCKING SCREW	1 ST	D

Spare parts list

Part No.: R909603764

Designation: COVER

Drawing no.: R909731913



Spare parts list

Product Unit
Axial Piston Units

Part No.: R909447003

Designation: THREADED PIN

Pos.	Part No.	Designation	Quantity
1	R909154690	THREADED PIN	1 ST
2	R909153779	THREADED PIN	1 ST
3	R909154058	THREADED PIN	1 ST
4	R909156717	THREADED PIN	1 ST
5	R909157215	THREADED PIN	1 ST
6	R909831094	THREADED PIN	1 ST
7	R909086118	THREADED PIN	1 ST