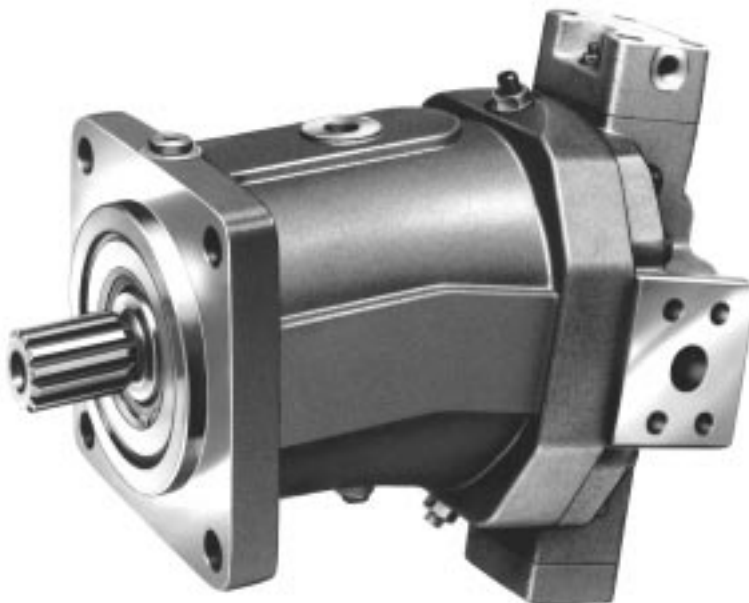


**MANNESMANN
REXROTH**

Mobile Division

E

Service Parts List



AA6VM

Series 63
Size 160

RA 91604-06-E
06.96

Ordering of AA6VM Parts

For Rexroth to supply the correct parts for your unit, please include all of the following information with your parts order.

TYPE CODE
TYPE NUMBER
SERIAL NUMBER
PART NUMBER
PART NAME

Due to modifications and improvements to our products, minor changes can occur to the parts, even though the type code may not necessarily reflect these changes. The type number and serial number will guarantee that the correct parts for your unit are supplied.

HYDROMATIK GMBH ULM (DONAU)		
THE REXROTH CORP., WOOSTER, OHIO		
TYPE		
AA6VM55HD1/63W-VSD520B		
NO		
262.20.63.10		
SERIAL NO.	YEAR	MINERAL OIL
1127809	10.95	OIL
MADE IN GERMANY		
ROTATION		

ORDERING EXAMPLE

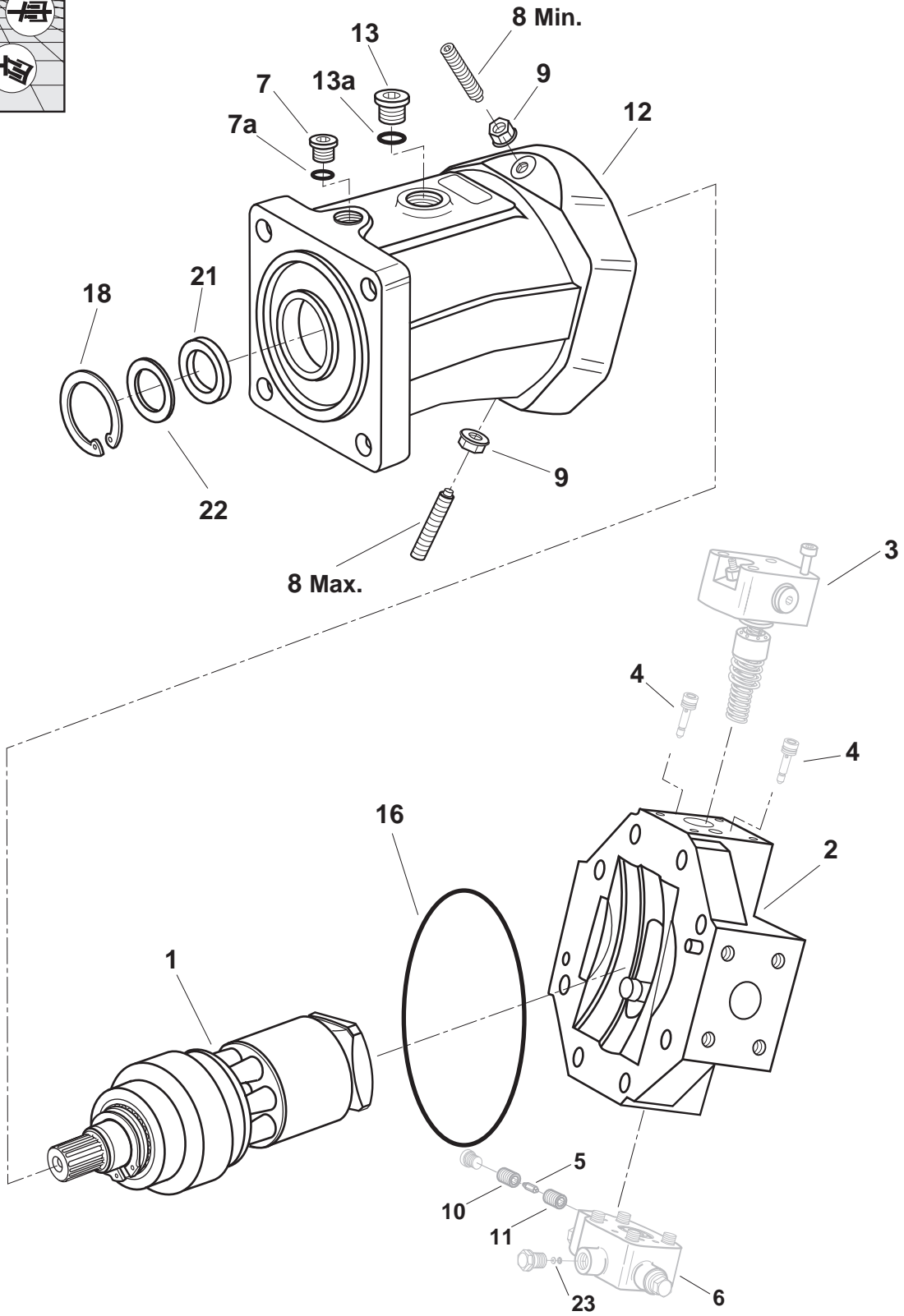
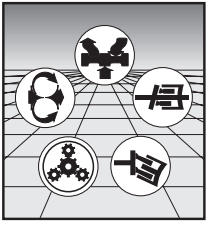
To order a replacement port block for an AA6VM hydrostatic transmission motor having the above nameplate, the following information would be required.

+ Type Code	AA6VM55HD1/63W-VSD520B
+ Type Number	262.20.63.10
+ Serial Number	1127809
* Part Number	5620-430-019
* Part Name	Port Block

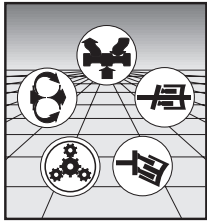
+ This information is taken from the nameplate on the motor.

* This information is taken from the Service Parts List.

Rotary Group.....	Page 8-9
Hydraulic Rotary Group	10-11
Port Block	12-13
HD1 Control.....	14-15
HD2 Control.....	16-17
EP1 Control.....	18-19
EP2 Control.....	20-21
HA1 Control.....	22-23
HA2 Control.....	24-25
HA1T Control.....	26-27
HA2T Control.....	28-29
HZ1 Control.....	30-31
EZ1 Control.....	32-33
EZ2 Control.....	34-35
Check Valve.....	36-37
Plug Kit.....	38-39
Shuttle Orifice Assembly.....	40-41
Stroking Piston Cover with Flushing.....	42-43
Stroking Piston Cover without Flushing.....	44-45
Parts Pricing.....	46-49
Parts Cross Reference.....	50-51



Assembly Number
AA6VM160



REXROTH CORPORATION

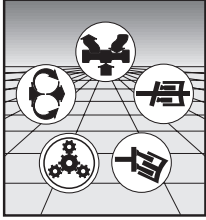
MOBILE HYDRAULICS DIVISION

Assembly Number
AA6VM160

Item	Description	Qty	Part Number	
1	Rotary Group	1	HU00604152	
2	Rear Cover Assembly	1	5650-430-006	
3	HD1 Control Kit		HU00603925	
3	HD2 Control Kit		HU00603873	
3	EP1 Control Kit		HU00603830	
3	EP2 Control Kit		HU00603831	
3	HA1 Control Kit		HU00605458	
3	HA2 Control Kit		HU00610065	
3	HA1T Control Kit		HU00611336	
3	HA2T Control Kit		HU00610062	
3	HZ1 Control Kit		HU00434101	
3	EZ1 Control Kit		HU00610629	
3	EZ2 Control Kit		HU00433938	
4	Check Valve Kit		5600-635-011	
4	Plug Kit		5600-635-020	
5	Shuttle Orifice (.26 mm \varnothing , Number 3)		HU00417118	<input type="checkbox"/> ▼
5	Shuttle Orifice (.26 mm \varnothing , Number 3)		HU00400262	<input type="checkbox"/> ◐
5	Shuttle Orifice (.39 mm \varnothing , Number 4)		HU00425867	<input type="checkbox"/> ▼
5	Shuttle Orifice (.39 mm \varnothing , Number 4)		HU00411019	<input type="checkbox"/> ◐
5	Shuttle Orifice (.47 mm \varnothing , Number 5)		HU00425868	<input type="checkbox"/> ▼
5	Shuttle Orifice (.47 mm \varnothing , Number 5)		HU00410814	<input type="checkbox"/> ◐
5	Shuttle Orifice (.56 mm \varnothing , Number 6)		HU00425869	<input type="checkbox"/> ▼
5	Shuttle Orifice (.56 mm \varnothing , Number 6)		HU00410142	<input type="checkbox"/> ◐
5	Shuttle Orifice (.69 mm \varnothing , Number 8)		HU00425870	<input type="checkbox"/> ▼
5	Shuttle Orifice (.69 mm \varnothing , Number 8)		HU00410278	<input type="checkbox"/> ◐

- Choose the correct shuttle orifice to change motor swivel time.
- ▼ Indicates single cone shuttle orifice. See page 41 for shuttle orientation.
- ◐ Indicates double cone shuttle orifice. See page 40 for shuttle location.

Parts list continued on pages 6.



REXROTH CORPORATION

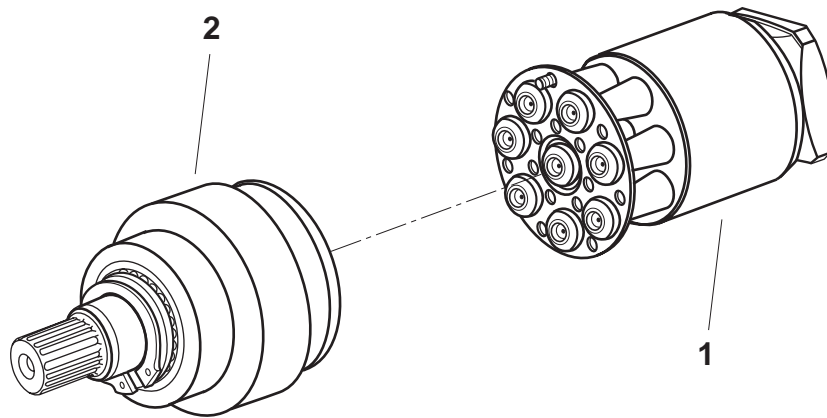
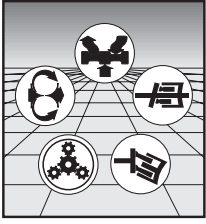
MOBILE HYDRAULICS DIVISION

Assembly Number
AA6VM160

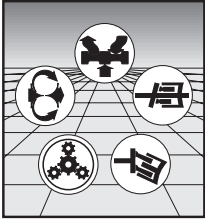
Item	Description	Qty	Part Number	
6	Stroking Piston Cover (with Flushing)		HU02002840	
6	Stroking Piston Cover (without Flushing)		HU00603842	
7	Plug (7/8-14)	1	76122-010	
7a	O-Ring (75 Duro FPM Tube PRP-910)	1	68106-910	* ▲
8	Disp. Stop Screw (M12 x 80 DIN 915-12.9)		60134-007	●
8	Disp. Stop Screw (M12 x 90 DIN 915-12.9)		60134-008	●
8	Disp. Stop Screw (M12 x 100 DIN 915-12.9)		60134-009	●
8	Disp. Stop Screw (M12 x 110 DIN 915-12.9)		60134-010	●
8	Disp. Stop Screw (M12 x 120 DIN 915-12.9)		60134-121	●
9	Seal Nut (M12)	2	65110-002	*
10	Orifice Seat - Outer	1	HU00400264	
11	Orifice Seat - Inner	1	HU00400263	
12	Housing	1	HU00922156	
13	Plug (1 1/16-12)	1	76122-012	
13a	O-Ring (75 Duro FPM Tube PRP-912)	1	68106-912	* ■
16	O-Ring (75 Duro FPM PRP-264)	1	68103-264	*
18	Snap Ring (M90 x 3 DIN 472)	1	71128-058	
21	Shaft Seal (70 x 90 x 7-FPM)	1	5000-076-012	*
22	Shim (M75 x 90 x 3 DIN 988)	1	HU00832084	
23	Flushing Orifice (1.2 mm ø, 3.5 L/Min.)		HU00651766	◆
23	Flushing Orifice (1.4 mm ø, 5 L/Min.)		HU00419695	◆
23	Flushing Orifice (1.8 mm ø, 8 L/Min.)		HU00419696	◆
23	Flushing Orifice (2.0 mm ø, 10 L/Min.)		HU00419697	◆
23	Flushing Orifice (2.4 mm ø, 14 L/Min.)		HU00444361	◆

- * Contained in Seal Kit 5650-635-007
- ▲ Included with 76122-010
- Included with 76122-012
- Select Stop Screws for required motor displacement. (per RA 91604-S)
- ◆ Select Orifice for required flushing flow.

Notes



Assembly Number
HU00604152

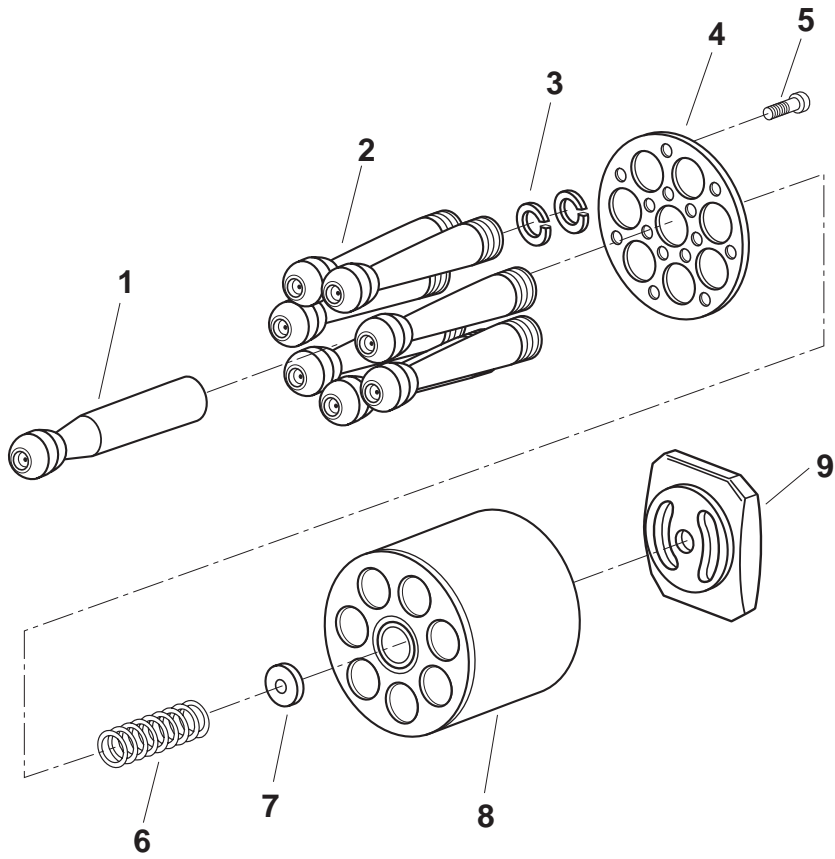
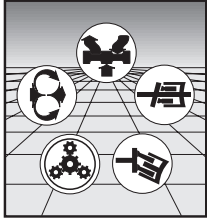


REXROTH CORPORATION

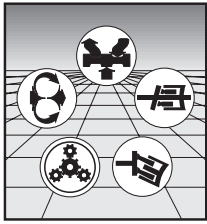
MOBILE HYDRAULICS DIVISION

Assembly Number
HU00604152

Item	Description	Qty	Part Number	
1	Hydraulic Rotary Group	1	HU00603785	
2	Drive Shaft Bearing Assembly (S Code)	1	HU02002003	



Assembly Number
HU00603785



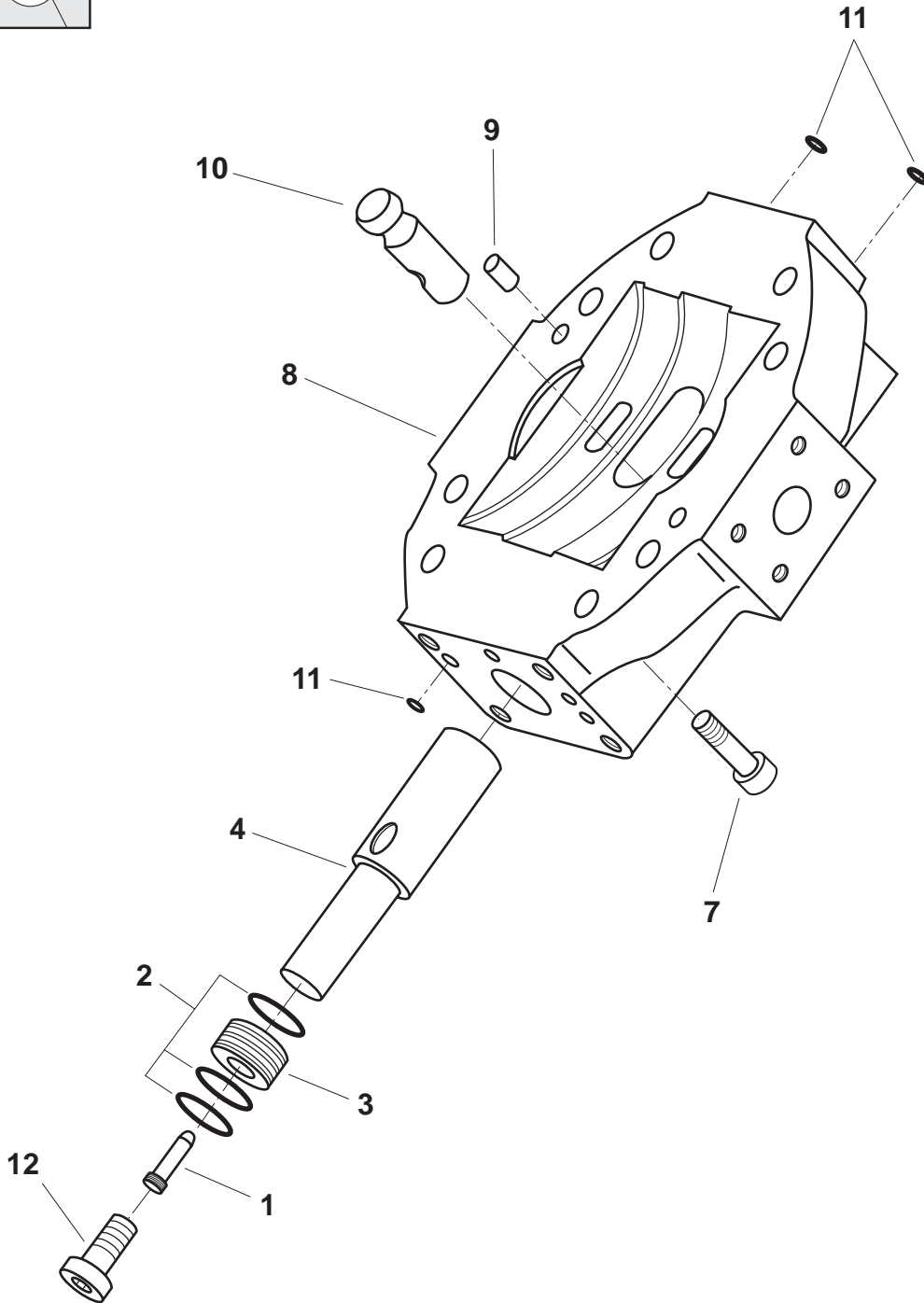
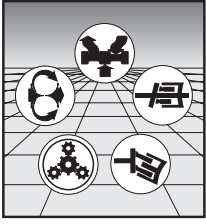
REXROTH CORPORATION

MOBILE HYDRAULICS DIVISION

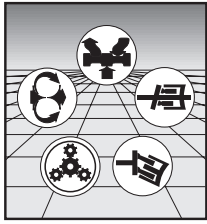
Assembly Number
HU00603785

Item	Description	Qty	Part Number	
1	Center Pin	1	HU00921576	
2	Pistons	7	HU00430790	
3	Piston Rings	14	HU00831897	
4	Retaining Plate	1	HU00062969	
5	Torx Head Screw	14	HU00831108	
6	Pressure Spring	1	HU00921583	
7	Preload Shim (4.5 mm)	1	HU00921577	▲
7	Preload Shim (4.6 mm)	0	HU00921578	▲
7	Preload Shim (4.7 mm)	0	HU00921579	▲
7	Preload Shim (4.8 mm)	0	HU00921580	▲
7	Preload Shim (4.9 mm)	0	HU00921581	▲
7	Preload Shim (5.0 mm)	0	HU00921582	▲
8	Barrel	1	HU00430794	
9	Control Lens	1	HU00921790	

▲ Choose the correct Preload Shim to set Rotary Group preload.



Assembly Number
5650-430-006



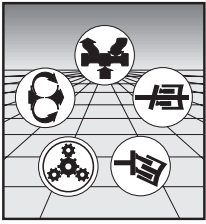
REXROTH CORPORATION

MOBILE HYDRAULICS DIVISION

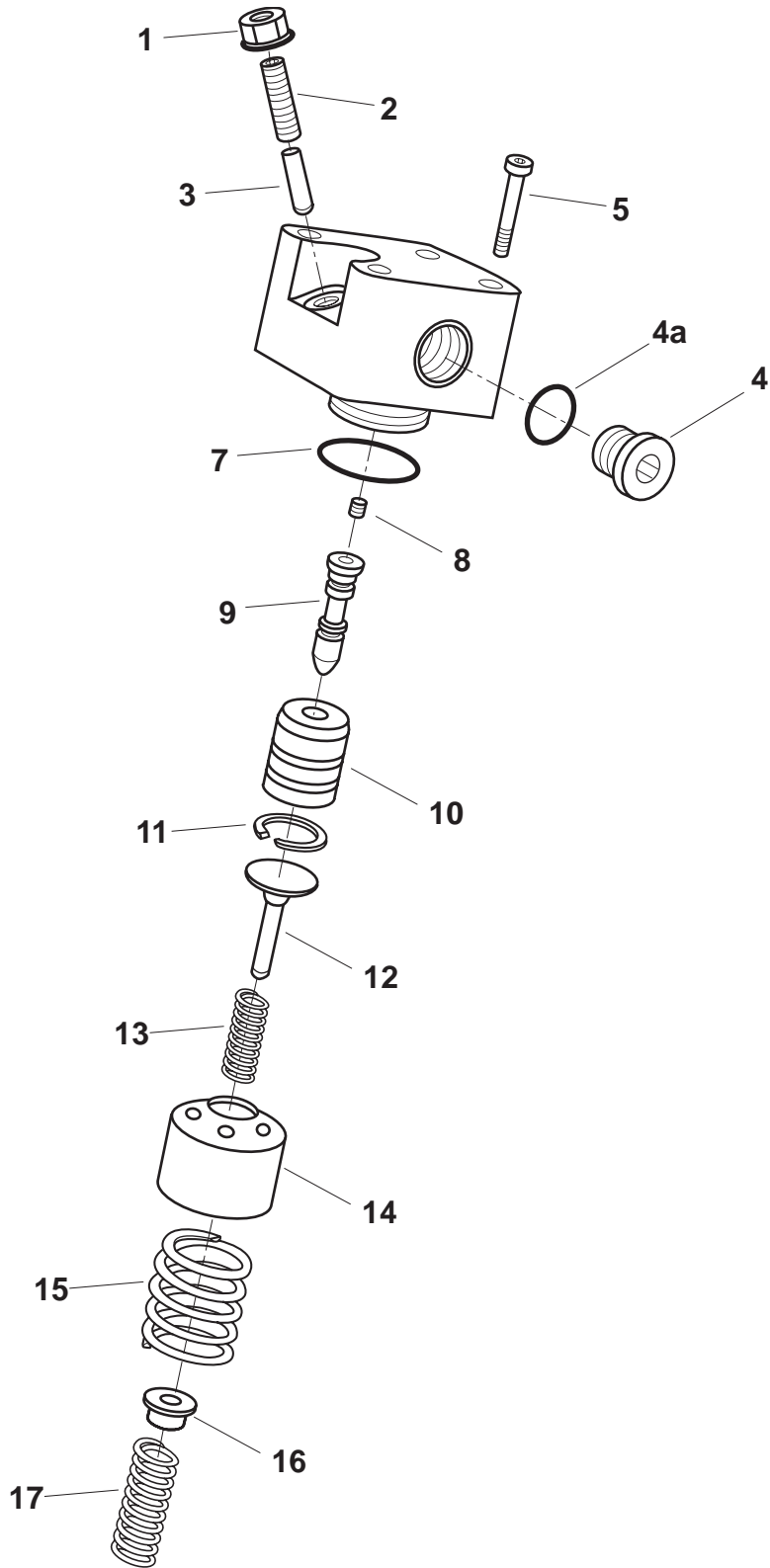
Assembly Number
5650-430-006

Item	Description	Qty	Part Number	
1	Threaded Pin	1	HU00445016	
2	Square-Ring (M32 x 2 DIN 34110)	3	HU00156648	
3	Piston	1	HU00652203	
4	Stroking Piston	1	HU00921436	
7	Cap Screw (M16 x 45 DIN 912-8.8)	8	60118-191	
8	Port Block (AA6VM160/63)	1	5650-430-005	
9	Dowel Pin (M12 x 24 DIN 7)	2	69115-004	
10	Lens Pin	1	HU00422021	
11	O-Ring (90 Duro FPM PRP-011)	6	68109-011	*
12	Cap Screw (M14 x 25 DIN 6912-8.8)	1	HU00831057	

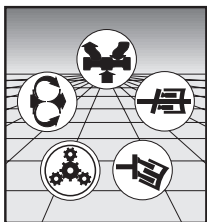
* Contained in Seal Kit 5650-635-007



HD1 Control



Assembly Number
HU00603925



REXROTH CORPORATION

MOBILE HYDRAULICS DIVISION

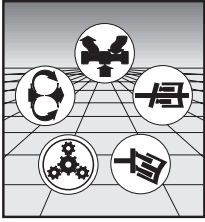
HD1 Control

Assembly Number
HU00603925

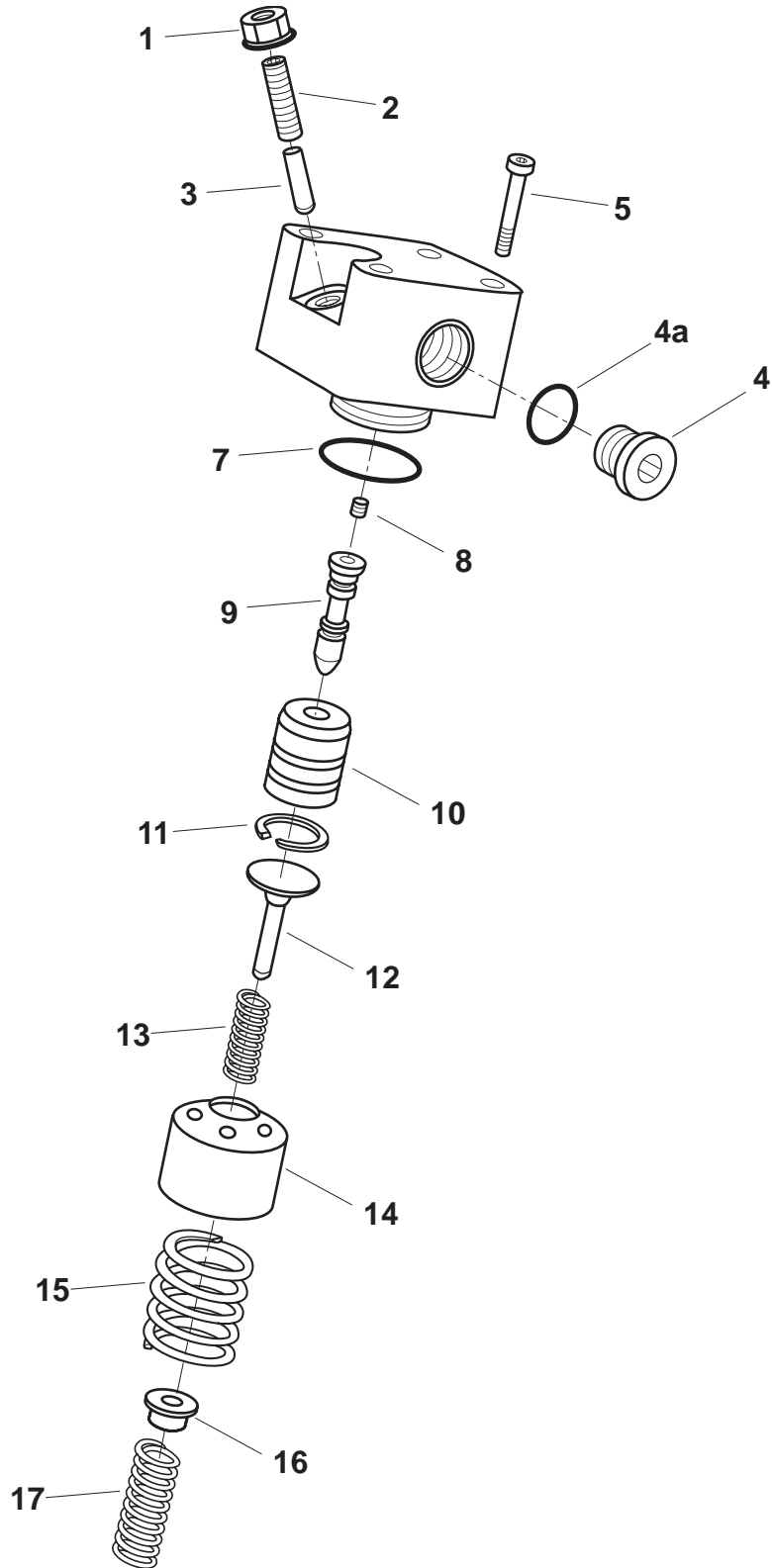
Item	Description	Qty	Part Number	
1	Seal Nut (M6)	1	65110-003	*
2	Adjusting Screw (M6 x 30 DIN 913-12.9)	1	60137-012	
3	Pin (M4 x 20 DIN 6325)	1	69116-012	
4	Plug (9/16-18)	1	76122-006	
4a	O-Ring (75 Duro FPM Tube PRP-906)	1	68106-906	*●
5	Cap Screw (M8 x 40 DIN 912-8.8)	4	60118-086	
7	O-Ring (75 Duro FPM PRP-129)	1	68103-129	*
8	Screw (M4 x 6 DIN 913-10.9)	1	60137-001	
9	Control Spool	1	HU00412266	
10	Control Bushing	1	HU00412246	
11	Snap Ring (M16 x 1 DIN 472)	1	71128-015	
12	Spring Retainer	1	HU00921351	
13	Spring	1	HU00921420	
14	Spring Bushing	1	HU00651119	
15	Spring	1	HU00651117	
16	Spring Retainer	1	HU00412988	
17	Spring	1	HU00431822	

* Contained in Seal Kit 5650-635-007

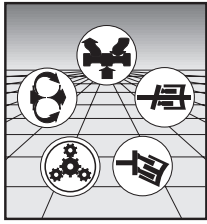
● Included with 76122-006



HD2 Control



Assembly Number
HU00603873



REXROTH CORPORATION

MOBILE HYDRAULICS DIVISION

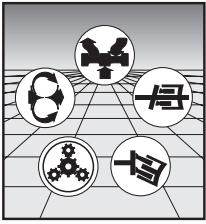
HD2 Control

Assembly Number
HU00603873

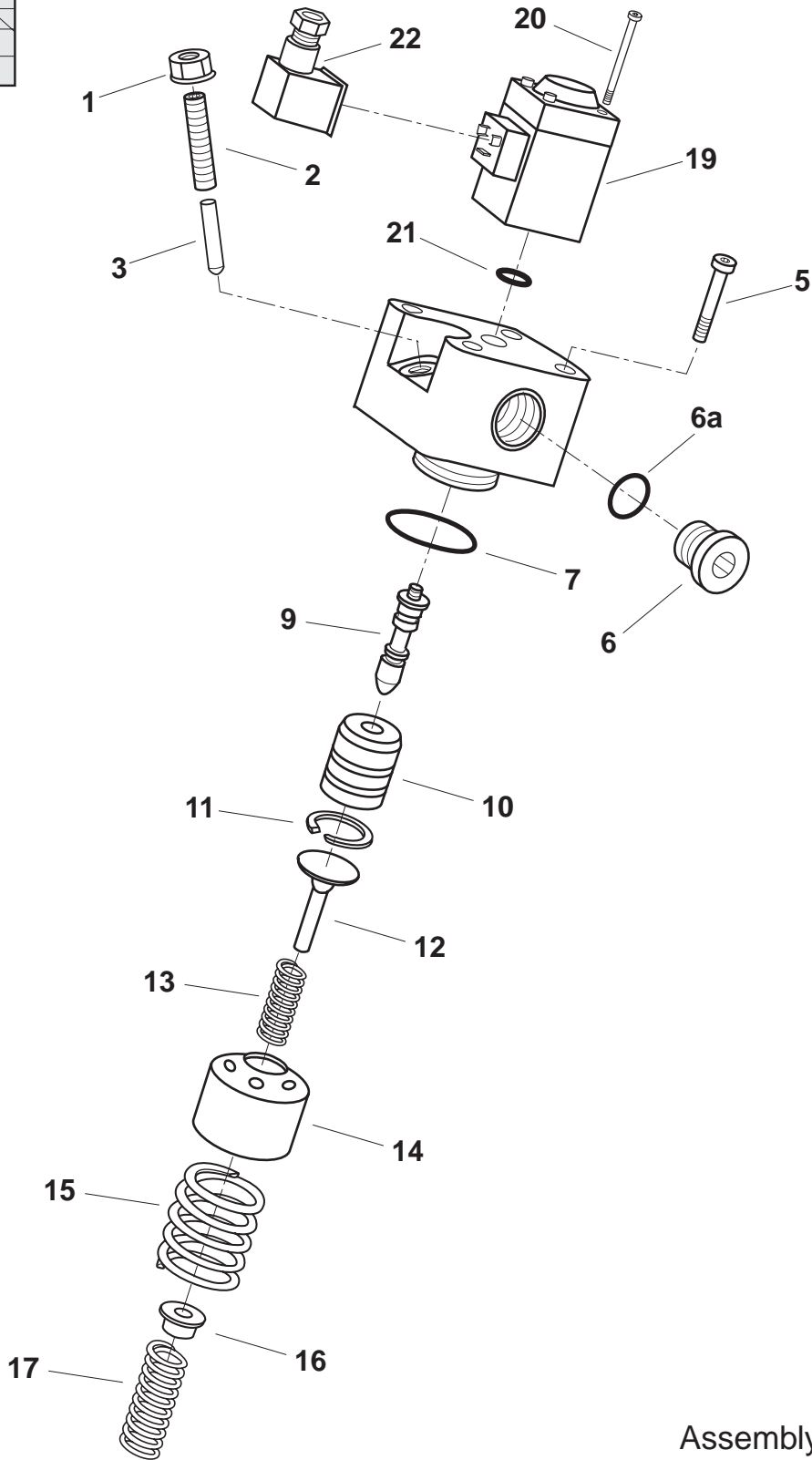
Item	Description	Qty	Part Number	
1	Seal Nut (M6)	1	65110-003	*
2	Adjusting Screw (M6 x 30 DIN 913-12.9)	1	60137-012	
3	Pin (M4 x 20 DIN 6325)	1	69116-012	
4	Plug (9/16-18)	1	76122-006	
4a	O-Ring (75 Duro FPM Tube PRP-906)	1	68106-906	*●
5	Cap Screw (M8 x 40 DIN 912-8.8)	4	60118-086	
7	O-Ring (75 Duro FPM PRP-129)	1	68103-129	*
8	Screw (M4 x 6 DIN 913-10.9)	1	60137-001	
9	Control Spool	1	HU00417323	
10	Control Bushing	1	HU00417322	
11	Snap Ring (M16 x 1 DIN 472)	1	71128-015	
12	Spring Retainer	1	HU00921351	
13	Spring	1	HU00921420	
14	Spring Bushing	1	HU00651119	
15	Spring	1	HU00651117	
16	Spring Retainer	1	HU00417324	
17	Spring	1	HU00921971	

* Contained in Seal Kit 5650-635-007

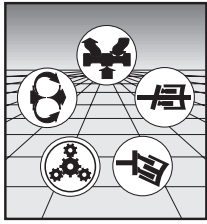
● Included with 76122-006



EP1 Control



Assembly Number
HU00603830



REXROTH CORPORATION

MOBILE HYDRAULICS DIVISION

EP1 Control

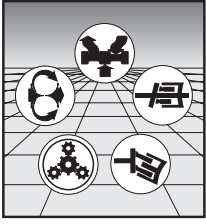
Assembly Number
HU00603830

Item	Description	Qty	Part Number	
1	Seal Nut (M6)	1	65110-003	*
2	Adjusting Screw (M6 x 30 DIN 913-12.9)	1	60137-012	
3	Pin (M4 x 20 DIN 6325)	1	69116-012	
5	Cap Screw (M8 x 40 DIN 912-8.8)	4	60118-086	
6	Plug (9/16-18)	1	76122-006	
6a	O-Ring (75 Duro FPM Tube PRP-906)	1	68106-906	*▲
7	O-Ring (75 Duro FPM PRP-129)	1	68103-129	*
9	Control Spool	1	HU00921942	
10	Control Bushing	1	HU00412246	
11	Snap Ring (M16 x 1 DIN 472)	1	71128-015	
12	Spring Retainer	1	HU00921351	
13	Spring	1	HU00921421	
14	Spring Bushing	1	HU00651119	
15	Spring	1	HU00651117	
16	Spring Retainer	1	HU00412988	
17	Spring	1	HU00432445	
19	Solenoid (12V Prop.)	1	5604-080-002	
20	Cap Screw (M4 x 50 DIN 912-8.8)	4	60118-027	□
21	O-Ring (75 Duro FPM PRP-018)	1	68103-018	*
22	Plug Connector, Black	1	5400-085-002	

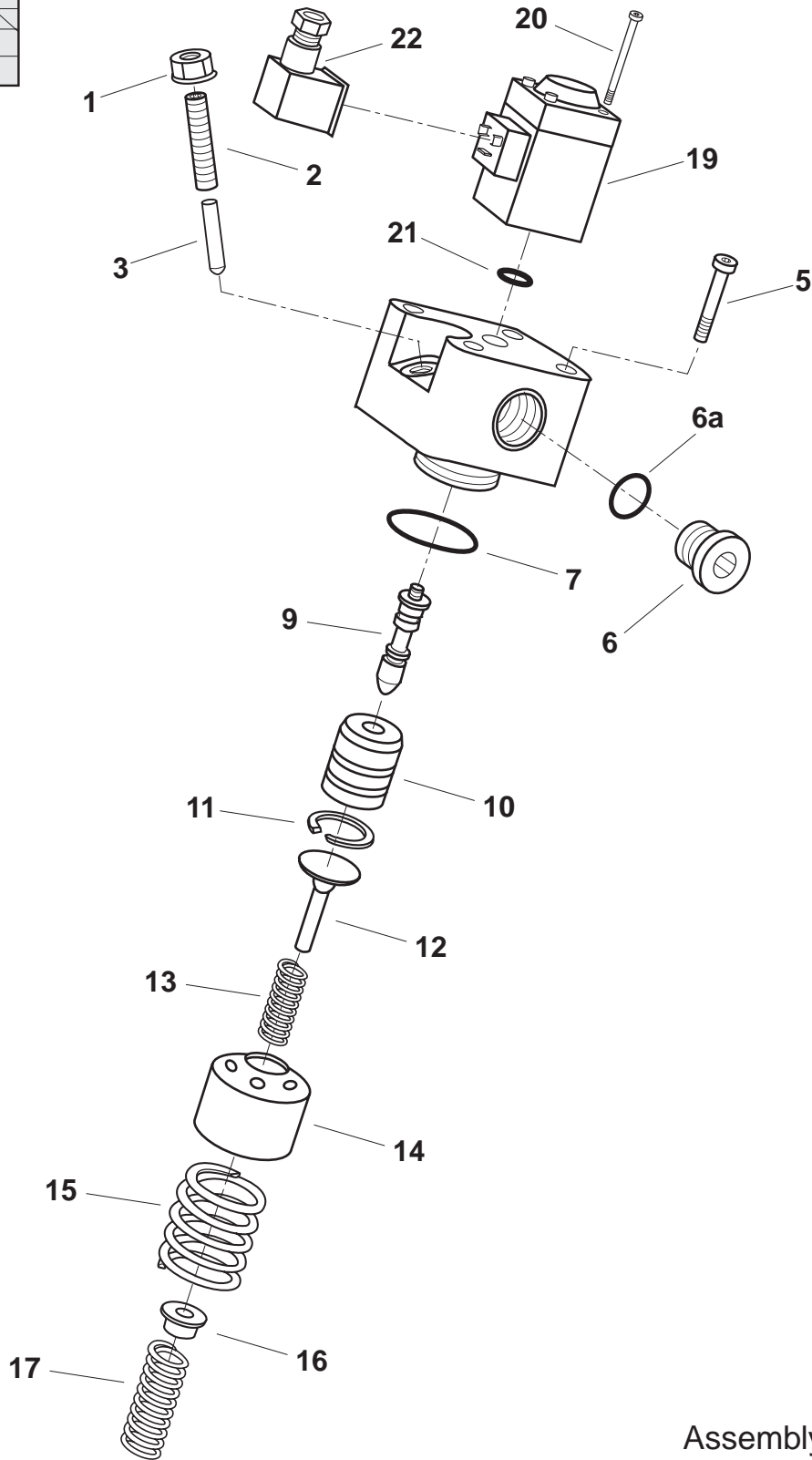
* Contained in Seal Kit 5650-635-007

▲ Included with 76122-006

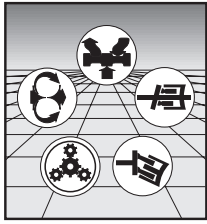
□ Included with 5604-080-002



EP2 Control



Assembly Number
HU00603831



REXROTH CORPORATION

MOBILE HYDRAULICS DIVISION

EP2 Control

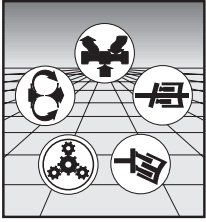
Assembly Number
HU00603831

Item	Description	Qty	Part Number	
1	Seal Nut (M6)	1	65110-003	*
2	Adjusting Screw (M6 x 30 DIN 913-12.9)	1	60137-012	
3	Pin (4 x 20 DIN 6325)	1	69116-012	
5	Cap Screw (M8 x 40 DIN 912-8.8)	4	60118-086	
6	Plug (9/16-18)	1	76122-006	
6a	O-Ring (75 Duro FPM Tube PRP-906)	1	68106-906	*▲
7	O-Ring (75 Duro FPM PRP-129)	1	68103-129	*
9	Control Spool	1	HU00921942	
10	Control Bushing	1	HU00412246	
11	Snap Ring (M16 x 1 DIN 472)	1	71128-015	
12	Spring Retainer	1	HU00921351	
13	Spring	1	HU00921421	
14	Spring Bushing	1	HU00651119	
15	Spring	1	HU00651117	
16	Spring Retainer	1	HU00412988	
17	Spring	1	HU00432445	
19	Solenoid (24V Prop.)	1	5604-080-001	
20	Cap Screw (M4 x 50 DIN 912-8.8)	4	60118-027	□
21	O-Ring (75 Duro FPM PRP-018)	1	68103-018	*
22	Plug Connector, Black	1	5400-085-002	

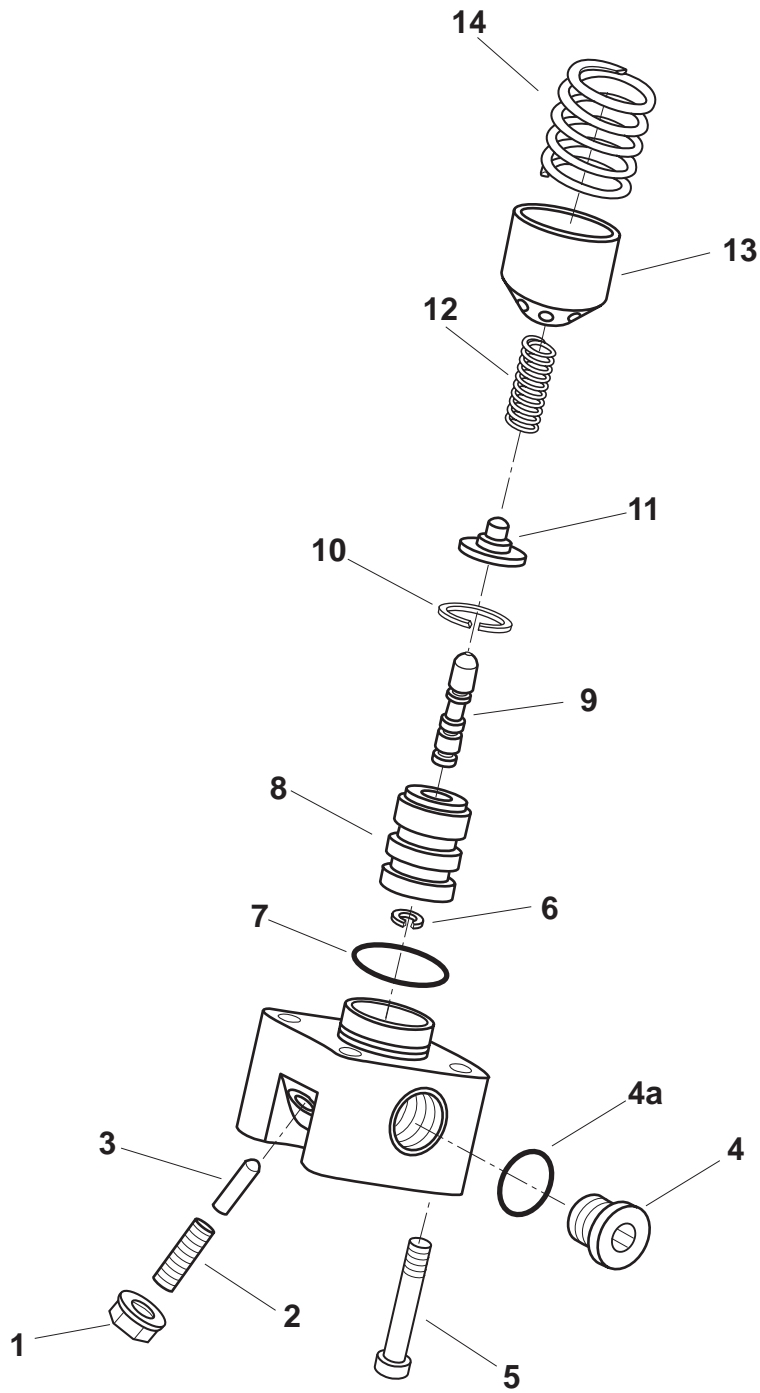
* Contained in Seal Kit 5650-635-007

▲ Included with 76122-006

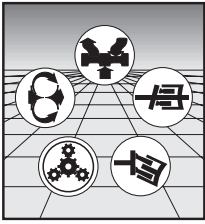
□ Included with 5604-080-001



HA1 Control



Assembly Number
HU00605458



REXROTH CORPORATION

MOBILE HYDRAULICS DIVISION

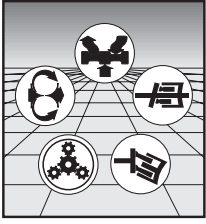
HA1 Control

Assembly Number
HU00605458

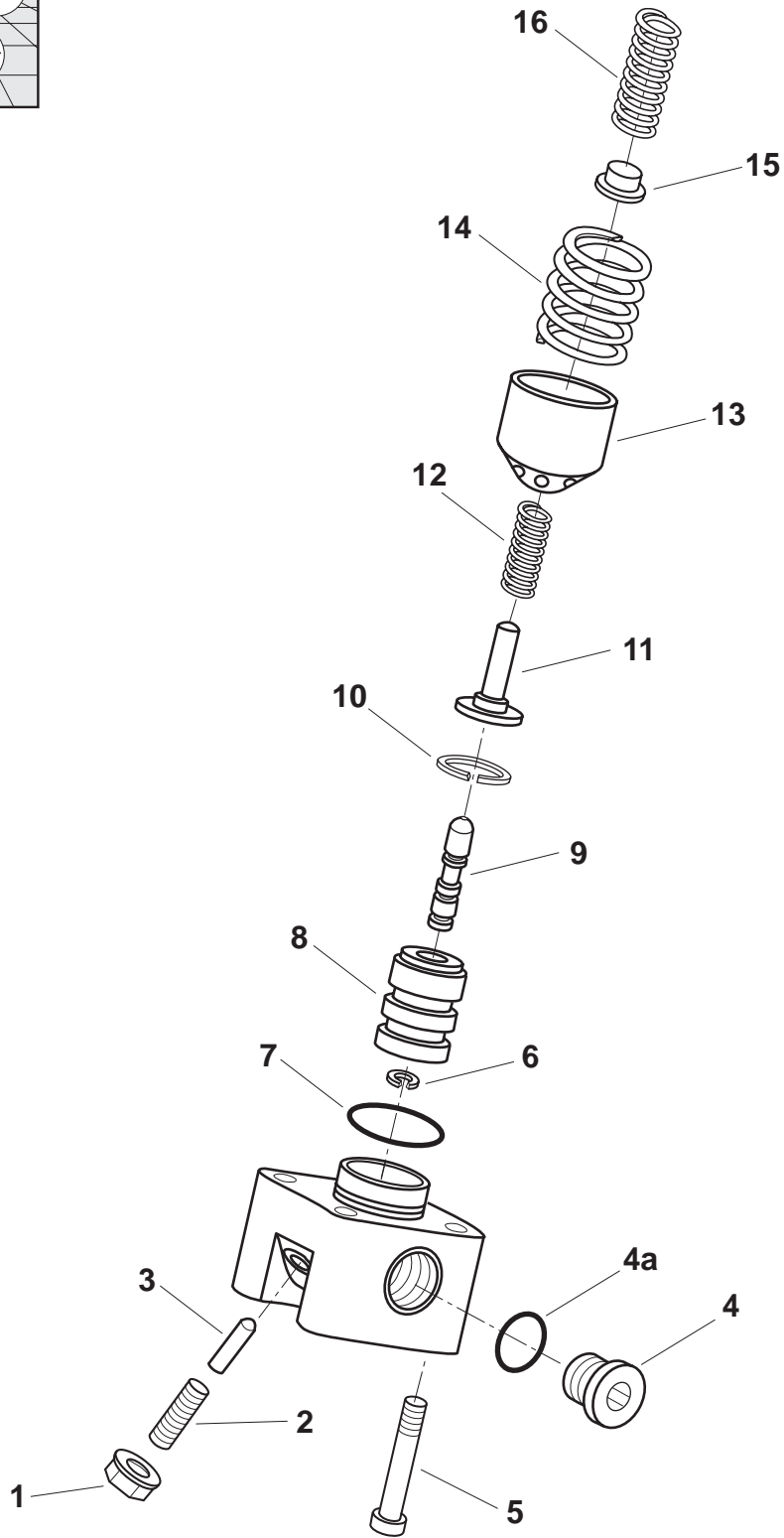
Item	Description	Qty	Part Number	
1	Seal Nut (M6)	1	65110-003	*
2	Adjusting Screw (M6 x 30 DIN 913-12.9)	1	60137-012	
3	Pin (M4 x 20 DIN 6325)	1	69116-012	
4	Plug (9/16-18)	2	76122-006	
4a	O-Ring (75 Duro FPM Tube PRP-906)	2	68106-906	*▲
5	Cap Screw (M8 x 40 DIN 912-8.8)	4	60118-086	
6	Circlip	1	HU00085812	
7	O-Ring (90 Duro FPM PRP-129)	1	68109-129	*
8	Control Bushing	1	HU00417512	
9	Control Spool	1	HU00430747	
10	Snap Ring (M16 x 1 DIN 472)	1	71128-015	
11	Spring Retainer	1	HU00921339	
12	Spring	1	HU00921419	
13	Spring Bushing	1	HU00651119	
14	Spring	1	HU00651117	

* Contained in Seal Kit 5650-635-007

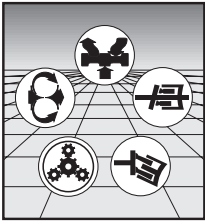
▲ Included with 76122-006



HA2 Control



Assembly Number
HU00610065



REXROTH CORPORATION

MOBILE HYDRAULICS DIVISION

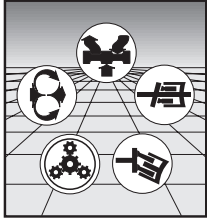
HA2 Control

Assembly Number
HU00610065

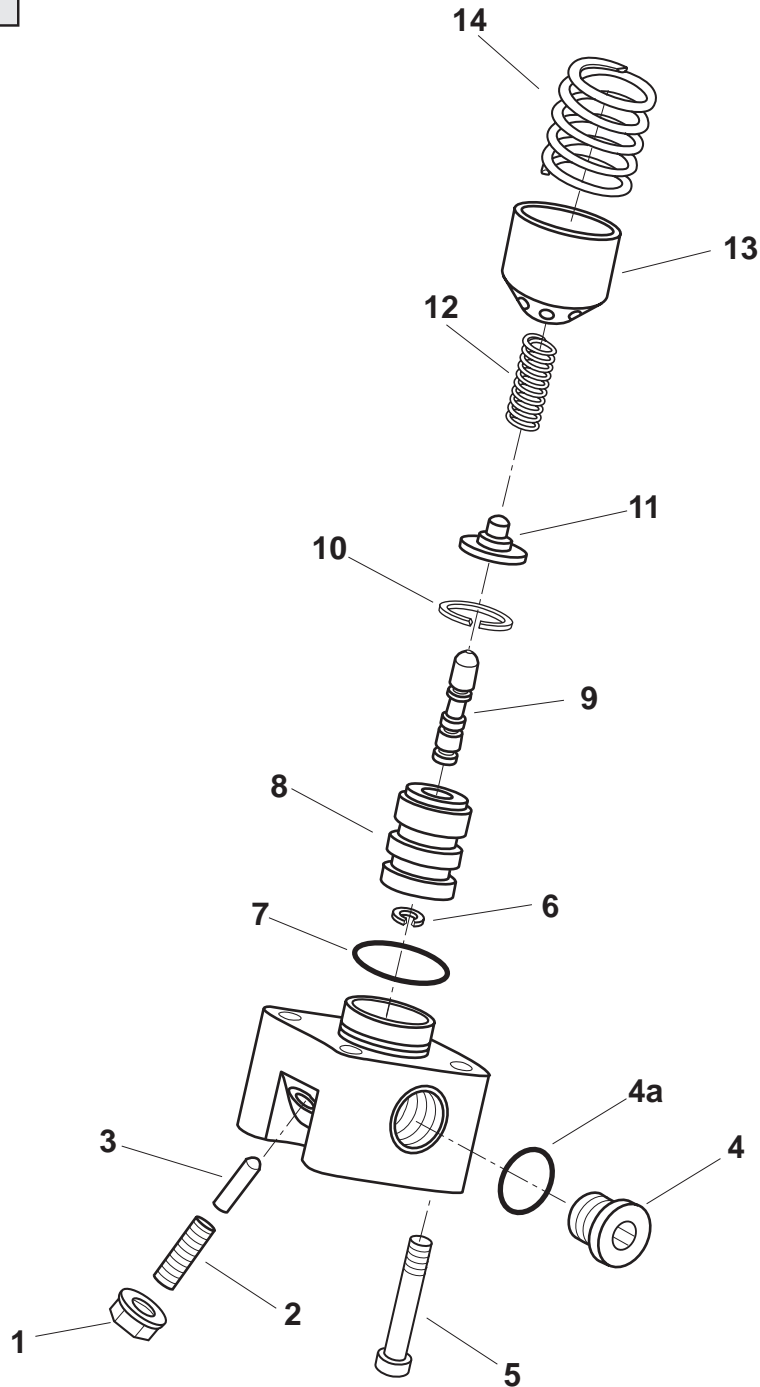
Item	Description	Qty	Part Number	
1	Seal Nut (M6)	1	65110-003	*
2	Adjusting Screw (M6 x 30 DIN 913-12.9)	1	60137-012	
3	Pin (M4 x 20 DIN 6325)	1	69116-012	
4	Plug (9/16-18)	2	76122-006	
4a	O-Ring (75 Duro FPM Tube PRP-906)	2	68106-906	*▲
5	Cap Screw (M8 x 40 DIN 912-8.8)	4	60118-086	
6	Circlip	1	H085812	
7	O-Ring (90 Duro FPM PRP-129)	1	68109-129	*
8	Control Bushing	1	H417512	
9	Control Spool	1	H430747	
10	Snap Ring (M16 x 1 DIN 472)	1	71128-015	
11	Spring Retainer	1	H921351	
12	Spring	1	H921419	
13	Spring Bushing	1	H651119	
14	Spring	1	H651117	
15	Spring Retainer	1	H412988	
16	Spring	1	H440312	

* Contained in Seal Kit 5650-635-007

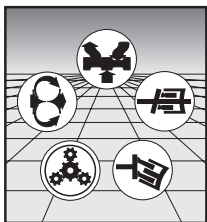
▲ Included with 76122-006



HA1T Control



Assembly Number
HU00611336



REXROTH CORPORATION

MOBILE HYDRAULICS DIVISION

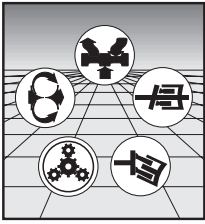
HA1T Control

Assembly Number
HU00611336

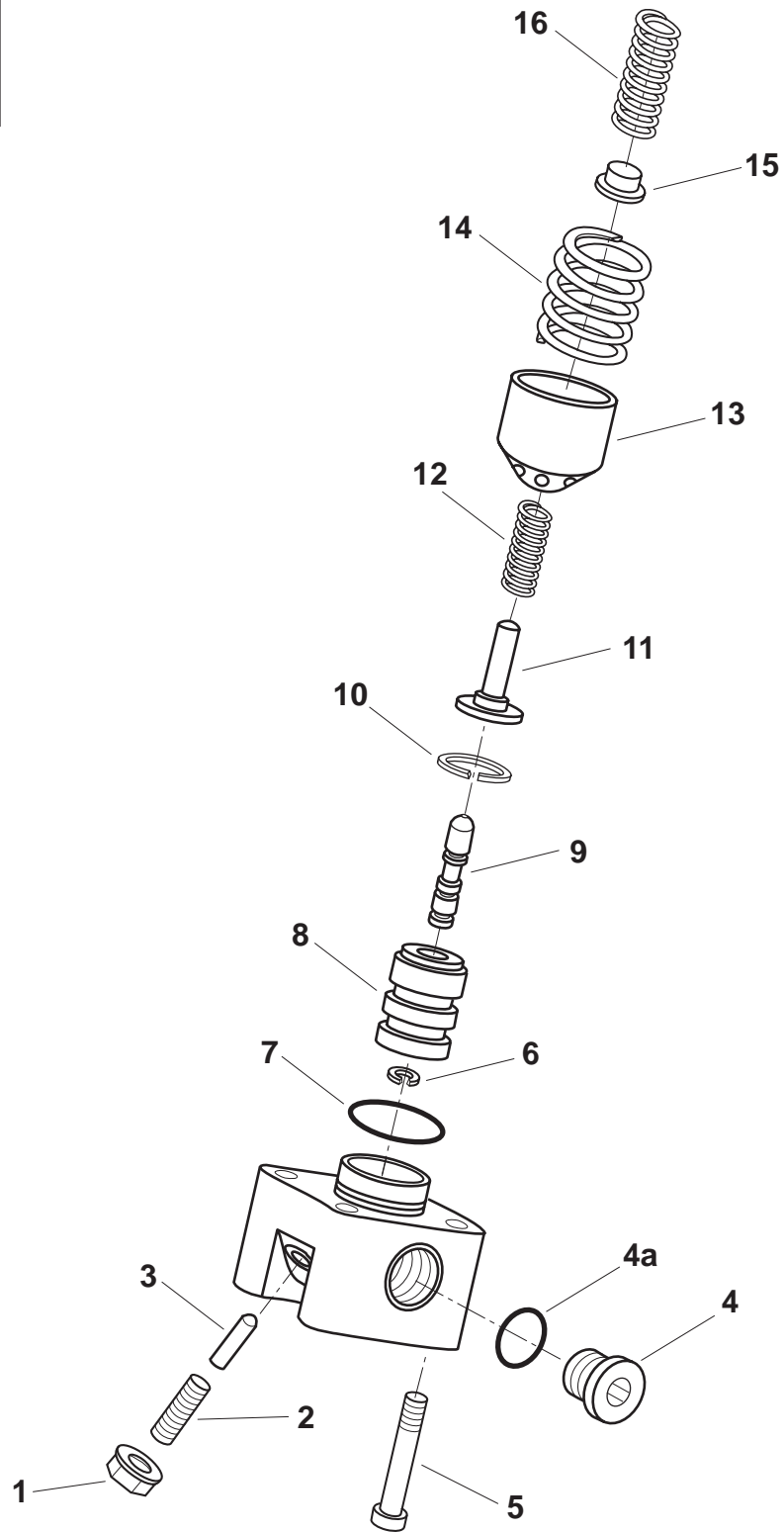
Item	Description	Qty	Part Number	
1	Seal Nut (M6)	1	65110-003	*
2	Adjusting Screw (M6 x 30 DIN 913-12.9)	1	60137-012	
3	Pin (M4 x 24 DIN 6325)	1	69116-012	
4	Plug (9/16-18)	1	76122-006	
4a	O-Ring (75 Duro FPM Tube PRP-906)	1	68106-906	*▲
5	Cap Screw (M8 x 40 DIN 912-8.8)	4	60118-086	
6	Circlip	1	HU00085812	
7	O-Ring (75 Duro FPM PRP-025)	1	68103-025	*
8	Control Bushing	1	HU00417512	
9	Control Spool	1	HU00430748	
10	Snap Ring (M16 x 1 DIN 472)	1	71128-015	
11	Spring Retainer	1	HU00921339	
12	Spring	1	HU00921419	
13	Spring Bushing	1	HU00651119	
14	Spring	1	HU00651117	

* Contained in Seal Kit 5650-635-007

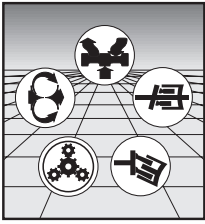
▲ Included with 76122-006



HA2T Control



Assembly Number
HU00610062



REXROTH CORPORATION

MOBILE HYDRAULICS DIVISION

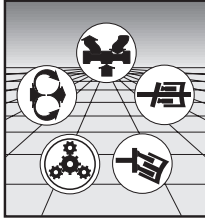
HA2T Control

Assembly Number
HU00610062

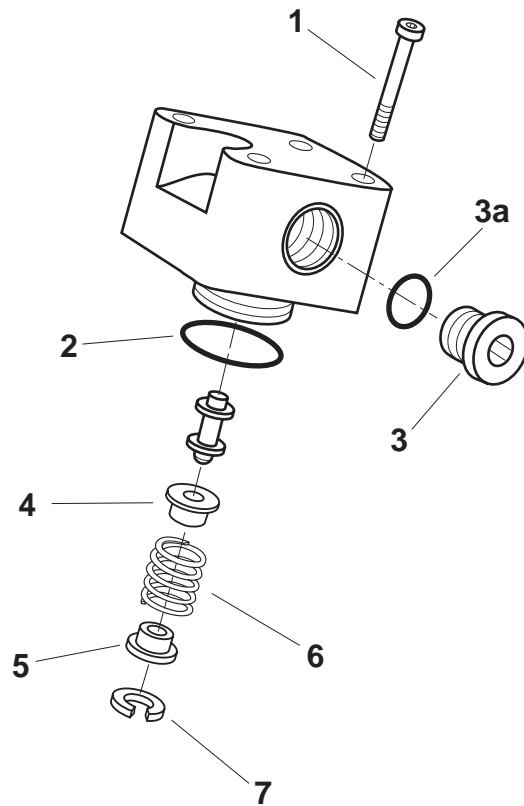
Item	Description	Qty	Part Number	
1	Seal Nut (M6)	1	65110-003	*
2	Adjusting Screw (M6 x 30 DIN 913-12.9)	1	60137-012	
3	Pin (M4 x 24 DIN 6325)	1	69116-019	
4	Plug (9/16-18)	1	76122-006	
4a	O-Ring (75 Duro FPM Tube PRP-906)	1	68106-906	*▲
5	Cap Screw (M6 x 40 DIN 912-8.8)	4	60118-063	
6	Circlip	1	HU00085812	
7	O-Ring (75 Duro FPM PRP-025)	1	68103-025	*
8	Control Bushing	1	HU00417512	
9	Control Spool	1	HU00430748	
10	Snap Ring (M16 x 1 DIN 472)	1	71128-015	
11	Spring Retainer	1	HU00921351	
12	Spring	1	HU00921419	
13	Spring Bushing	1	HU00651118	
14	Spring	1	HU00651116	
15	Spring Retainer	1	HU00421860	
16	Spring	1	HU00444549	

* Contained in Seal Kit 5650-635-007

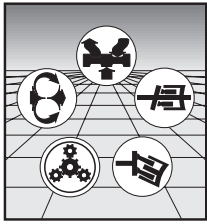
▲ Included with 76122-006



HZ1 Control



Assembly Number
HU00434101



REXROTH CORPORATION

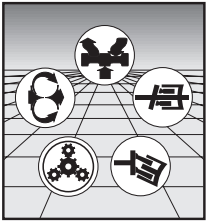
MOBILE HYDRAULICS DIVISION

HZ1 Control

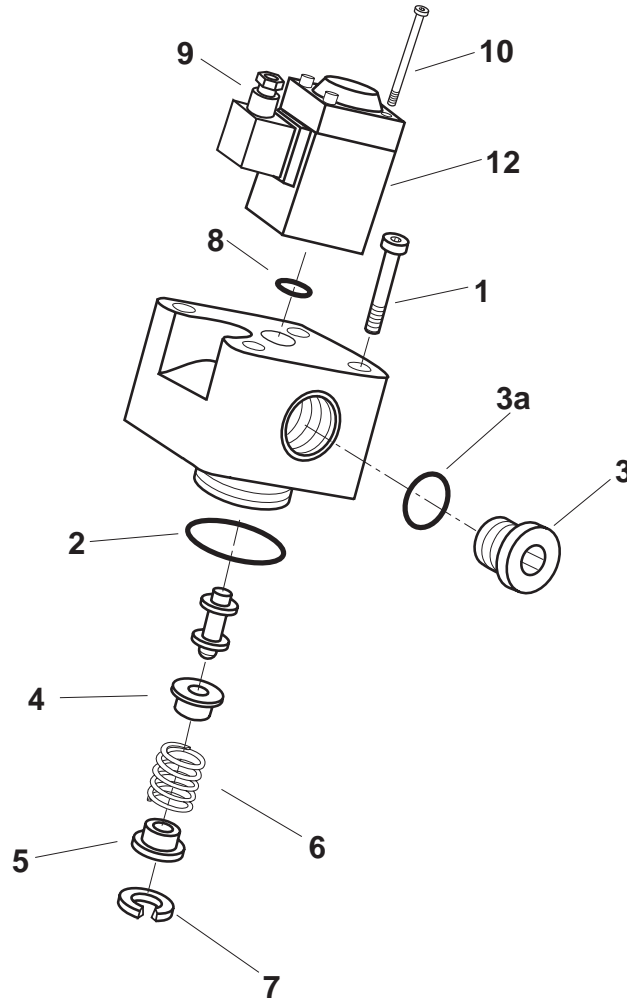
Assembly Number
HU00434101

Item	Description	Qty	Part Number	
1	Cap Screw (M8 x 40 DIN 912-8.8)	4	60118-086	
2	O-Ring (75 Duro FPM PRP-129)	1	68103-129	*
3	Plug (9/16-18)	1	76122-006	
3a	O-Ring (75 Duro FPM Tube RPP-906)	1	68106-906	*
4	Spring Retainer	1	HU00426138	
5	Spring Retainer	1	HU00426136	
6	Spring	1	HU00432802	
7	Snap Ring (M16 x 1 DIN 472)	1	71128-015	

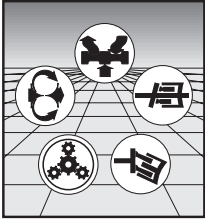
* Contained in Seal Kit 5650-635-007



EZ1 Control



Assembly Number
HU00610629



REXROTH CORPORATION

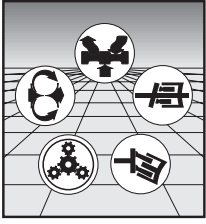
MOBILE HYDRAULICS DIVISION

EZ1 Control

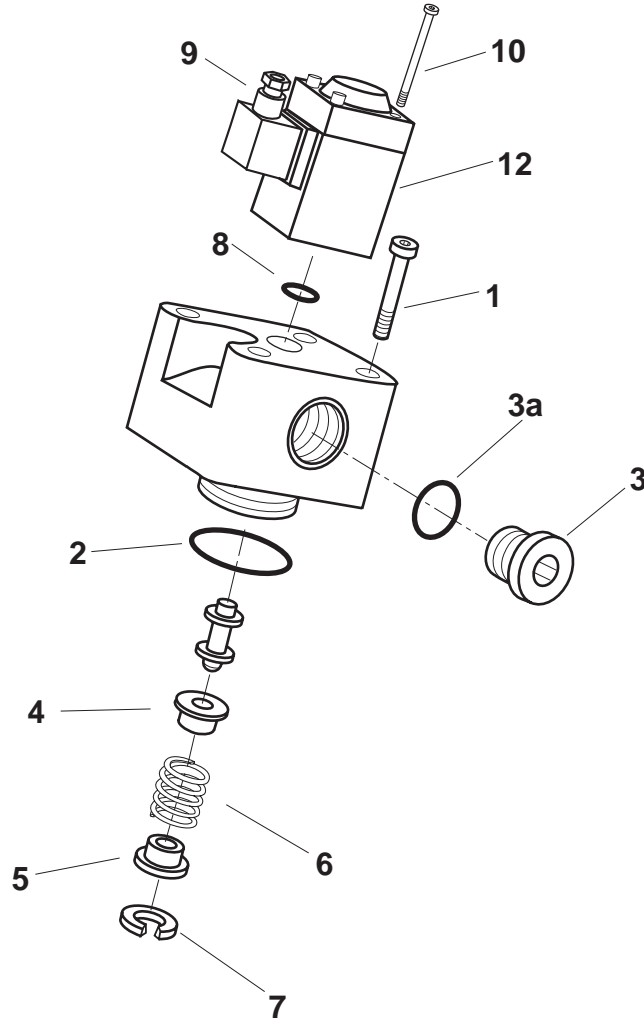
Assembly Number
HU00610629

Item	Description	Qty	Part Number	
1	Cap Screw (M8 x 35 DIN 912-8.8)	4	60118-085	
2	O-Ring (75 Duro FPM PRP-129)	1	68103-129	*
3	Plug (9/16-18)	1	76122-006	
3a	O-Ring (75 Duro FPM Tube PRP-906)	1	68106-906	*▲
4	Spring Retainer	1	HU00426138	
5	Spring Retainer	1	HU00426136	
6	Spring	1	HU00436459	
7	Snap Ring (M16 x 1 DIN 472)	1	71128-015	
8	O-Ring (75 Duro FPM PRP-016)	1	68103-016	*
9	Plug Connector, Black	1	5400-085-002	
10	Cap Screw (M4 x 65 DIN 912-8.8)	4	60118-340	□
12	Solenoid 12 VDC (Non-proportional)	1	5406-580-002	

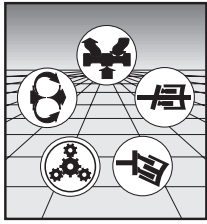
- * Contained in Seal Kit 5650-635-007
- ▲ Included with 76122-006
- Included with 5406-580-002



EZ2 Control



Assembly Number
HU00433938



REXROTH CORPORATION

MOBILE HYDRAULICS DIVISION

EZ2 Control

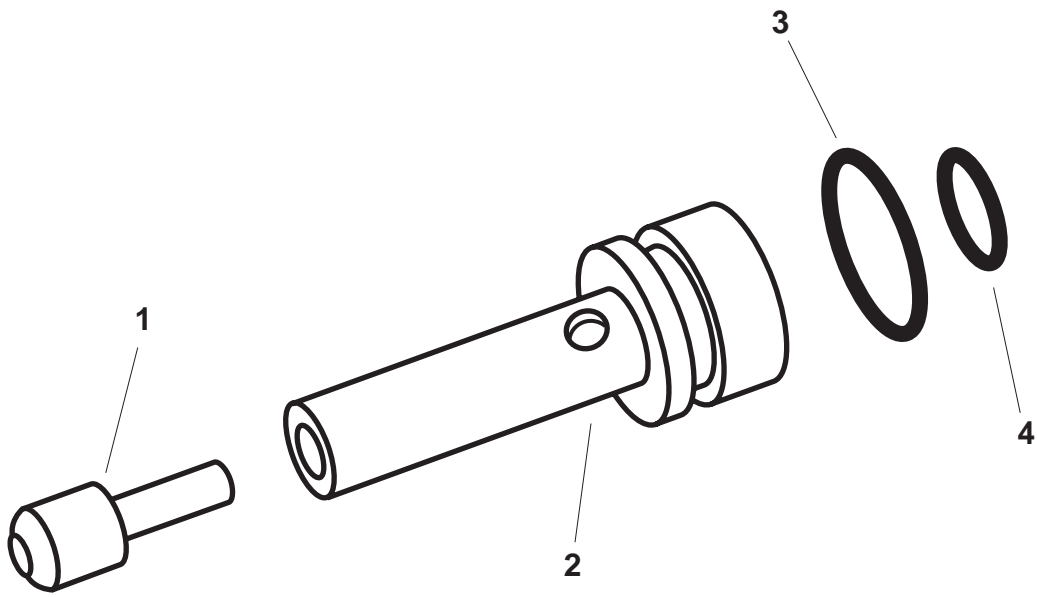
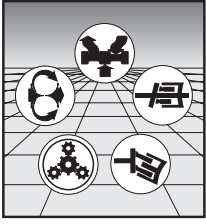
Assembly Number
HU00433938

Item	Description	Qty	Part Number	
1	Cap Screw (M8 x 35 DIN 912-8.8)	4	60118-085	
2	O-Ring (75 Duro FPM PRP-129)	1	68103-129	*
3	Plug (9/16-18)	1	76122-006	
3a	O-Ring (75 Duro FPM Tube PRP-906)	1	68106-906	*▲
4	Spring Retainer	1	HU00426138	
5	Spring Retainer	1	HU00426136	
6	Spring	1	HU00436459	
7	Snap Ring (M16 x 1 DIN 472)	1	71128-015	
8	O-Ring (75 Duro FPM PRP-016)	1	68103-016	*
9	Plug Connector, Black	1	5400-085-002	
10	Cap Screw (M4 x 65 DIN 912-8.8)	4	60118-340	□
12	Solenoid 24 VDC (Non-proportional)	1	5406-580-001	

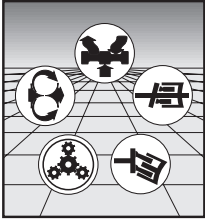
* Contained in Seal Kit 5650-635-007

▲ Included with 76122-006

□ Included with 5406-580-001



Assembly Number
5600-635-011



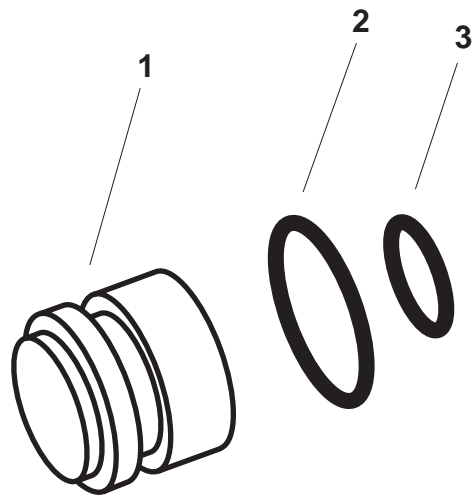
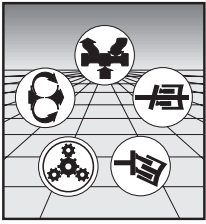
REXROTH CORPORATION

MOBILE HYDRAULICS DIVISION

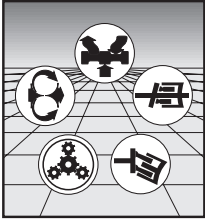
Assembly Number
5600-635-011

Item	Description	Qty	Part Number	
1	Poppet	1	HU00426662	
2	Check Valve Housing	1	HU00422894	
3	O-Ring (90 Duro FPM PRP-012)	1	68109-012	*
4	O-Ring (90 Duro FPM PRP-009)	1	68109-009	*

* Contained in Seal Kit 5650-635-007



Assembly Number
5600-635-020



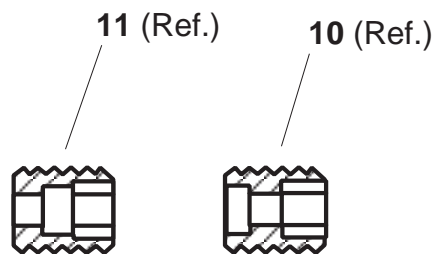
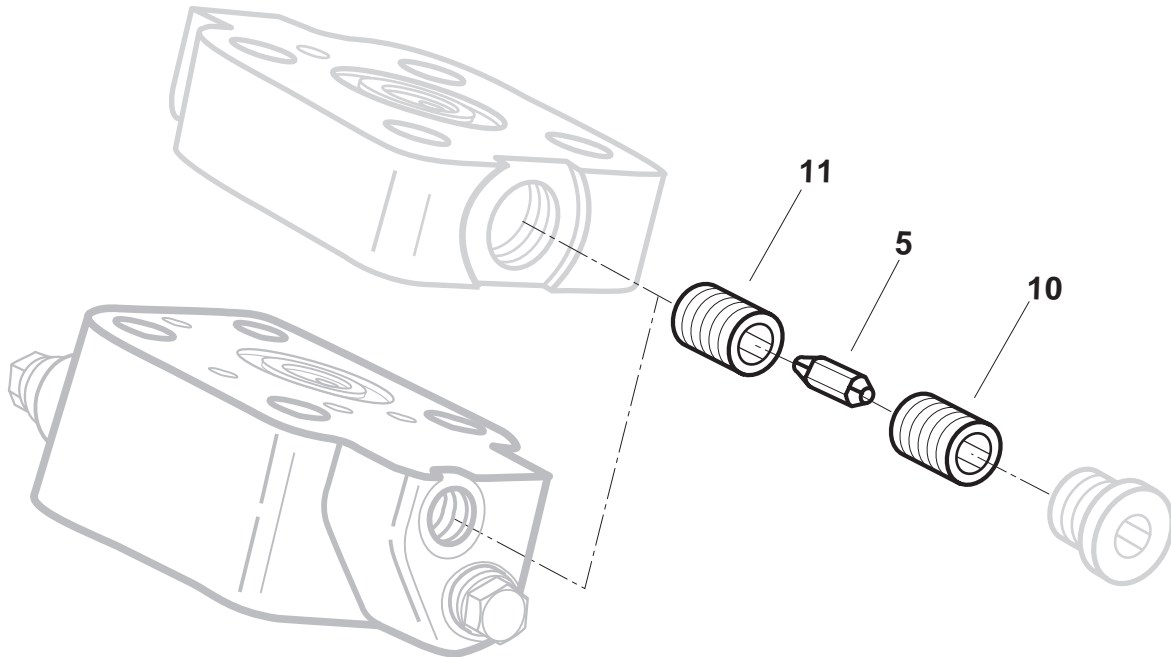
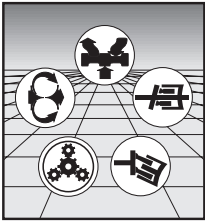
REXROTH CORPORATION

MOBILE HYDRAULICS DIVISION

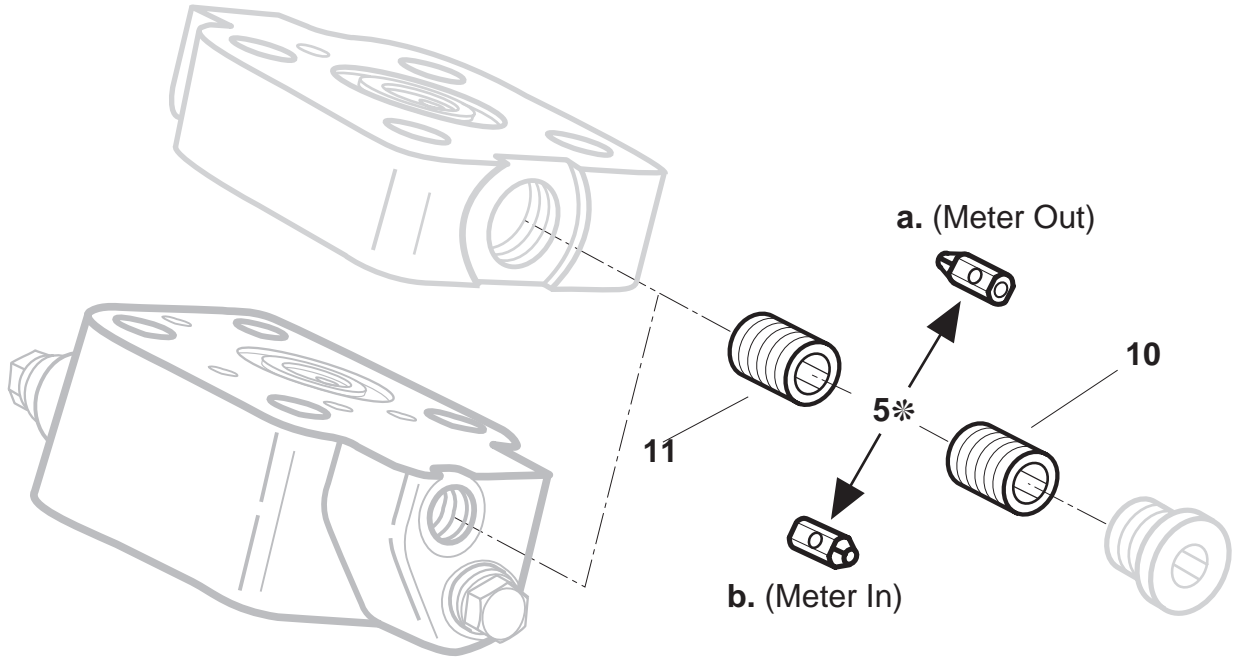
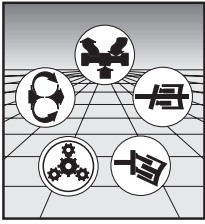
Assembly Number
5600-635-020

Item	Description	Qty	Part Number	
1	Plug	1	HU00415161	
2	O-Ring (90 Duro FPM PRP-012)	1	68109-012	*
3	O-Ring (90 Duro FPM PRP-009)	1	68109-009	*

* Contained in Seal Kit 5650-635-007

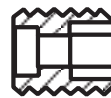
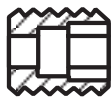


Shuttle Orifice Kits
Bi-Directional



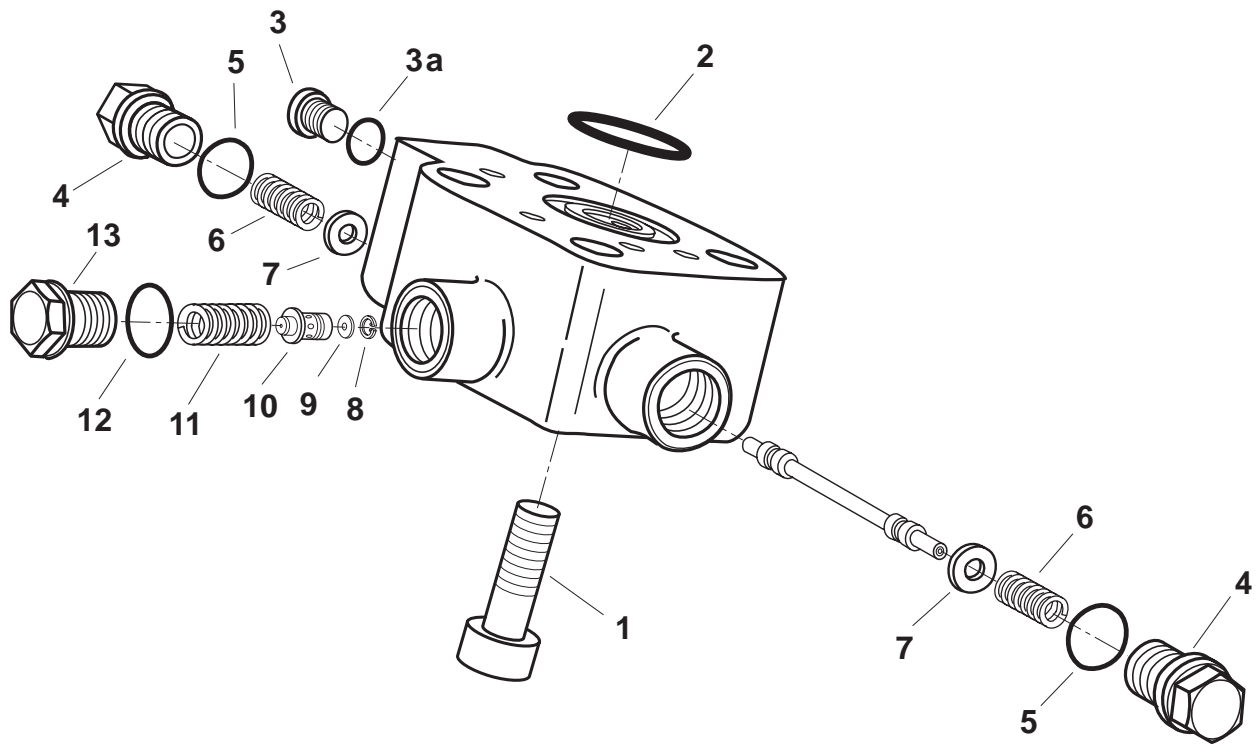
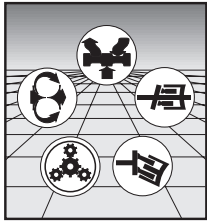
11 (Ref.)

10 (Ref.)

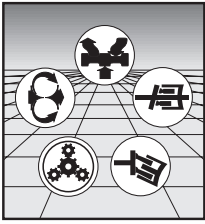


* Note orientation of the shuttle orifice.

Shuttle Orifice Kits
Uni-Directional



Assembly Number
HU02002840



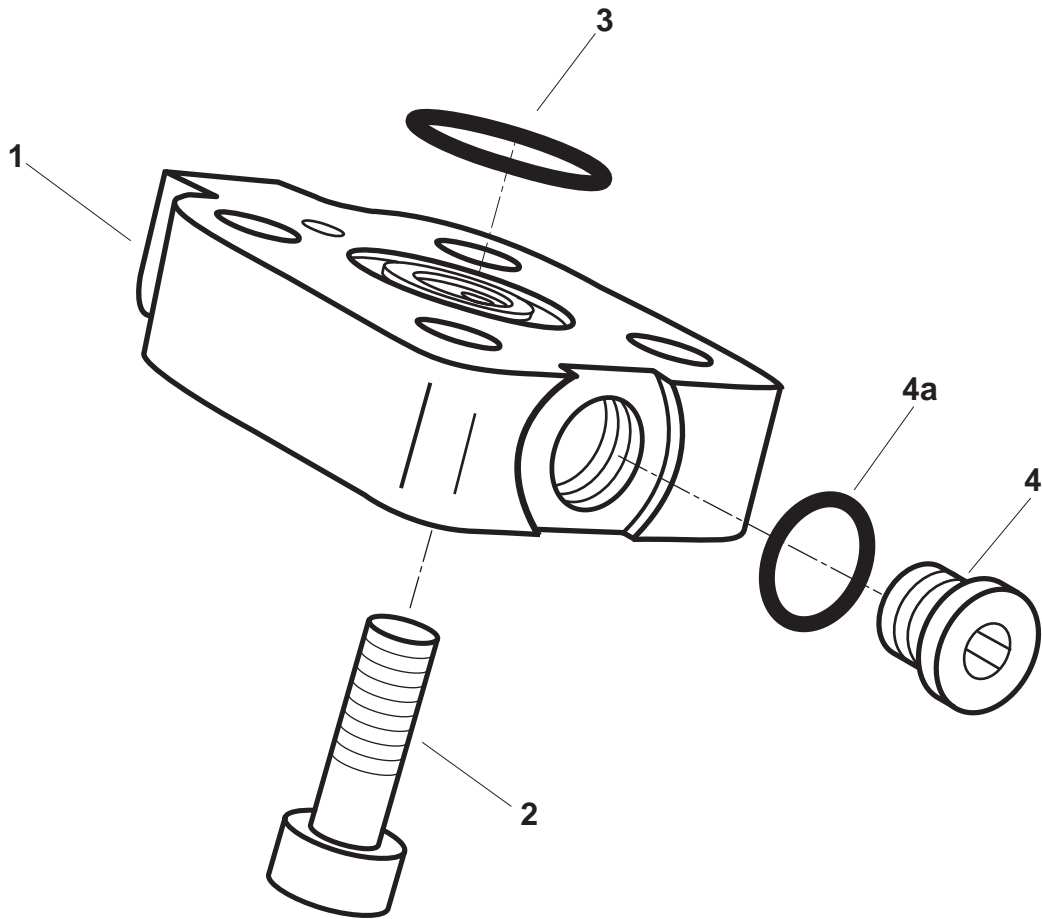
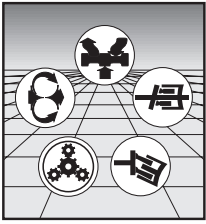
REXROTH CORPORATION

MOBILE HYDRAULICS DIVISION

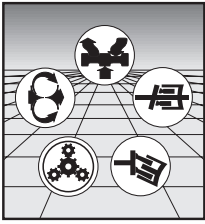
Assembly Number
HU02002840

Item	Description	Qty	Part Number	
1	Cap Screw (M8 x 50 DIN 912-10.9)	4	60119-140	
2	O-Ring (90 Duro FPM PRP-222)	1	68109-222	*
3	Plug (9/16-18)	1	76122-006	
3a	O-Ring (75 Duro FPM Tube PRP-906)	1	68106-906	*D
4	Plug	2	HU00417111	
5	O-Ring (90 Duro FPM PRP-114)	2	68109-114	*
6	Spring	2	HU00417113	
7	Spring Retainer	2	HU00417112	
8	Snap Ring (M8 x 0.8 DIN 472)	1	71128-018	
9	Flushing Orifice	1	See Page 6	□
10	Poppet	1	HU00430234	
11	Spring	1	HU00417848	
12	O-Ring (90 Duro FPM PRP-115)	1	68109-115	*
13	Plug	1	HU00417846	

- * Contained in Seal Kit 5650-635-007
- D Included with 76122-006
- **Not** Included with HU02002840



Assembly Number
HU00603842



REXROTH CORPORATION

MOBILE HYDRAULICS DIVISION

Assembly Number
HU00603842

Item	Description	Qty	Part Number	
1	Stroking Piston Cover	1	HU00445989	
2	Cap Screw (M12 x 35 DIN 6912-10.9)	4	60140-060	
3	O-Ring (90 Duro FPM PRP-222)	1	68109-222	*
4	Plug (9/16-18)	1	76122-006	
4a	O-Ring (75 Duro FPM Tube PRP-906)	1	68106-906	*▲

* Contained in Seal Kit 5660-635-005

▲ Included with 76122-006

Parts Prices

Effective 6.96

Part Number	Description	List (\$) Each
5000-076-012	Shaft Seal (70 x 90 x 7-FPM)	\$64.40
5400-085-002	Plug Connector, Black	\$12.36
5406-580-001	Solenoid 24 VDC (Non-proportional)	\$137.00
5406-580-002	Solenoid 12 VDC (Non-proportional)	\$137.00
5600-635-011	Check Valve Kit	\$52.17
5600-635-021	Plug Kit	\$19.96
5604-080-002	Solenoid (12V Prop.)	\$200.00
5650-430-005	Port Block (AA6VM160/63)	\$1,614.01
5650-430-006	Rear Cover Assembly	\$2,524.48
60118-027	Cap Screw (M4 x 50 DIN 912-8.8)	\$1.00
60118-063	Cap Screw (M6 x 40 DIN 912-8.8)	\$0.50
60118-085	Cap Screw (M8 x 35 DIN 912-8.8)	\$4.47
60118-086	Cap Screw (M8 x 40 DIN 912-8.8)	\$0.75
60118-191	Cap Screw (M16 x 45 DIN 912-8.8)	\$2.47
60118-340	Cap Screw (M4 x 65 DIN 912-8.8)	\$3.10
60119-140	Cap Screw (M8 x 50 DIN 912-10.9)	\$2.16
60134-007	Disp. Stop Screw (M12 x 80 DIN 915-12.9)	\$8.30
60134-008	Disp. Stop Screw (M12 x 90 DIN 915-12.9)	\$13.88
60134-009	Disp. Stop Screw (M12 x 100 DIN 915-12.9)	\$14.01
60134-010	Disp. Stop Screw (M12 x 110 DIN 915-12.9)	\$14.38
60134-121	Disp. Stop Screw (M12 x 120 DIN 915-12.9)	\$6.23
60137-001	Screw (M4 x 6 DIN 913-10.9)	\$0.50
60137-012	Adjusting Screw (M6 x 30 DIN 913-12.9)	\$0.50
60140-060	Cap Screw (M12 x 35 DIN 6912-10.9)	\$1.20
65110-002	Seal Nut (M12)	\$12.08
65110-003	Seal Nut (M6)	\$1.00
68103-009	O-Ring (75 Duro FPM PRP-009)	\$1.00
68103-012	O-Ring (75 Duro FPM PRP-012)	\$1.25
68103-016	O-Ring (75 Duro FPM PRP-016)	\$0.50
68103-018	O-Ring (75 Duro FPM PRP-018)	\$1.36
68103-025	O-Ring (75 Duro FPM PRP-025)	\$3.80
68103-129	O-Ring (75 Duro FPM PRP-129)	\$3.59
68103-264	O-Ring (75 Duro FPM PRP-264)	\$41.82
68106-906	O-Ring (75 Duro FPM Tube PRP-906)	\$1.00
68106-910	O-Ring (75 Duro FPM Tube PRP-910)	\$2.22
68106-912	O-Ring (75 Duro FPM Tube PRP-912)	\$3.45
68109-009	O-Ring (90 Duro FPM PRP-009)	\$1.25
68109-011	O-Ring (90 Duro FPM PRP-011)	\$1.04
68109-012	O-Ring (90 Duro FPM PRP-012)	\$2.20
68109-114	O-Ring (90 Duro FPM PRP-114)	\$2.47
68109-115	O-Ring (90 Duro FPM PRP-115)	\$2.47

Parts Prices

Effective 6.96

Part Number	Description	List (\$) Each
68109-129	O-Ring (90 Duro FPM PRP-129)	\$4.15
68109-222	O-Ring (90 Duro FPM PRP-222)	\$3.01
69115-004	Dowel Pin (M12 x 24 DIN 7)	\$2.45
69116-012	Pin (M4 x 24 DIN 6325)	\$0.78
69116-019	Pin (M4 x 24 DIN 6325)	\$1.00
71128-015	Snap Ring (M16 x 1 DIN 472)	\$0.50
71128-018	Snap Ring (M8 x 0.8 DIN 472)	\$0.25
71128-058	Snap Ring (M90 x 3 DIN 472)	\$9.81
76122-006	Plug (9/16-18)	\$1.66
76122-010	Plug (7/8-14)	\$4.68
76122-012	Plug (1 1/16-12)	\$9.32
HU00062969	Retaining Plate	\$64.44
HU00085812	Circlip	\$0.78
HU00156648	Square-Ring (M32 x 2 DIN 34110)	\$4.26
HU02002003	Drive Shaft Bearing Assembly (S Code)	\$2,433.00
HU00400262	Shuttle Orifice (.26 mm \varnothing , Number 3)	\$38.28
HU00400263	Orifice Seat - Inner	\$11.40
HU00400264	Orifice Seat - Outer	\$11.40
HU00410142	Shuttle Orifice (.56 mm \varnothing , Number 6)	\$22.56
HU00410278	Shuttle Orifice (.69 mm \varnothing , Number 8)	\$32.28
HU00410814	Shuttle Orifice (.47 mm \varnothing , Number 5)	\$20.04
HU00411019	Shuttle Orifice (.39 mm \varnothing , Number 4)	\$23.40
HU00412246	Control Bushing	\$249.00
HU00412266	Control Spool	\$208.92
HU00412988	Spring Retainer	\$42.72
HU00415161	Plug	\$18.96
HU00417111	Plug	\$9.12
HU00417112	Spring Retainer	\$5.10
HU00417113	Spring	\$1.32
HU00417118	Shuttle Orifice (.26 mm \varnothing , Number 3)	\$32.04
HU00417322	Control Bushing	\$257.16
HU00417323	Control Spool	\$99.48
HU00417324	Spring Retainer	\$43.68
HU00417512	Control Bushing	\$246.36
HU00417846	Plug	\$7.92
HU00417848	Spring	\$3.48
HU00419695	Flushing Orifice (1.4 mm) (5 L/Min.)	\$4.14
HU00419696	Flushing Orifice (1.8 mm) (8 L/Min.)	\$4.44
HU00419697	Flushing Orifice (2.0 mm) (10 L/Min.)	\$7.32
HU00421860	Spring Retainer	\$77.76
HU00422021	Lens Pin	\$58.92

Parts Prices

Effective 6.96

Part Number	Description	List (\$) Each
HU00422894	Check Valve Housing	\$30.00
HU00425867	Shuttle Orifice (.39 mm ø, Number 4)	\$33.36
HU00425868	Shuttle Orifice (.47 mm ø, Number 5)	\$79.20
HU00425869	Shuttle Orifice (.56 mm ø, Number 6)	\$79.20
HU00425870	Shuttle Orifice (.69 mm ø, Number 8)	\$79.20
HU00426136	Spring Retainer	\$6.70
HU00426138	Spring Retainer	\$7.60
HU00426662	Poppet	\$9.72
HU00430234	Poppet	\$145.68
HU00430747	Control Spool	\$41.76
HU00430748	Control Spool	\$24.00
HU00430790	Pistons	\$106.56
HU00430794	Barrel	\$2,037.96
HU00431822	Spring	\$7.80
HU00432445	Spring	\$7.70
HU00432802	Spring	\$1.56
HU00433938	EZ2 Control Kit	\$1,493.10
HU00434101	HZ1 Control Kit	\$1,425.55
HU00436459	Spring	\$1.56
HU00440312	Spring	\$6.60
HU00444361	Flushing Orifice (2.4 mm) (14 L/Min.)	\$7.80
HU00444549	Spring	\$5.28
HU00445016	Threaded Pin	\$3.70
HU00445989	Stroking Piston Cover	\$57.72
HU00603785	Hydraulic Rotary Group	\$2,432.67
HU00603830	EP1 Control Kit	\$2,023.70
HU00603831	EP2 Control Kit	\$2,023.70
HU00603842	Stroking Piston Cover (without Flushing)	\$121.11
HU00603849	Stroking Piston Cover (with Flushing)	\$407.61
HU00603873	HD2 Control Kit	\$1,920.80
HU00603925	HD1 Control Kit	\$1,920.80
HU00604152	Rotary Group	\$3,739.00
HU00605458	HA1 Control Kit	\$1,425.55
HU00610062	HA2T Control Kit	\$1,920.80
HU00610065	HA2 Control Kit	\$1,920.80
HU00610629	EZ1 Control Kit	\$1,493.10
HU00611336	HA1T Control Kit	\$1,425.55
HU00651116	Spring	\$4.86
HU00651117	Spring	\$16.70
HU00651118	Spring Bushing	\$108.60

Parts Prices

Effective 6.96

Part Number	Description	List (\$) Each
HU00651119	Spring Bushing	\$103.30
HU00651766	Flushing Orifice (1.2 mm) (3.5 L/Min.)	\$7.00
HU00652203	Piston	\$214.68
HU00831057	Cap Screw (M14 x 25 DIN 6912-8.8)	\$8.52
HU00831108	Torx Head Screw	\$1.02
HU00831897	Piston Rings	\$11.16
HU00832084	Shim (M75 x 90 x 3 DIN 988)	\$9.70
HU00921339	Spring Retainer	\$17.76
HU00921351	Spring Retainer	\$31.00
HU00921419	Spring	\$1.20
HU00921420	Spring	\$1.40
HU00921421	Spring	\$7.20
HU00921436	Stroking Piston	\$125.76
HU00921576	Center Pin	\$138.10
HU00921577	Preload Shim (4.5 mm)	\$10.00
HU00921578	Preload Shim (4.6 mm)	\$10.00
HU00921579	Preload Shim (4.7 mm)	\$10.00
HU00921580	Preload Shim (4.8 mm)	\$10.00
HU00921581	Preload Shim (4.9 mm)	\$10.00
HU00921582	Preload Shim (5.0 mm)	\$10.00
HU00921583	Pressure Spring	\$11.40
HU00921790	Control Lens	\$753.72
HU00921942	Control Spool	\$178.90
HU00921971	Spring	\$8.80
HU00922156	Housing	\$1,614.01

Equivalent Part Numbers

Wooster	Brueninghaus	Hydromatik	Lohr	Sigma
5000-076-012	BH00619728	HU00831663		
5400-085-002	BH00525375	HU00085290		
5406-580-001	BH00577626	HU00428266		
5406-580-002	BH00574686	HU00428265		
5604-080-001	BH00825018	HU00441694		
5604-080-002		HU00441693		
60118-027	BH00576107	HU00086070	RR00006890	S11180709
60118-063	BH00109355	HU00083026	RR00003026	S10597709
60118-085	BH00109495	HU00083041	RR00003047	S10270709
60118-086	BH00109509	HU00083042	RR00003048	S10241309
60118-191	BH00120499	HU00083131	RR00003133	S10240009
60118-340		HU00157715	RR00008132	
60119-140	BH00126462	HU00083094	RR00003245	
60134-007	BH00977213	HU00153075		
60134-008	BH00826278	HU00154041		
60134-009	BH00824283	HU00153975		
60134-010	BH00824283	HU00153975		
60134-121		HU00831163		
60137-001	BH00977209	HU00083488	RR00007368	S00736888
60137-012		HU00152427		
60140-060	BH00853917	HU00831592		
65110-002	BH00339504	HU00152459	RR00001551	S11223709
65110-003	BH00529036	HU00152425		
68103-009	BH00971118	HU00156527	RR00015131	S11281309
68103-012	BH00514098	HU00084408	RR00009097	S00909788
68103-016	BH00525618	HU00087945	RR00009193	S11076309
68103-018	BH00802520	HU00085551	RR00002910	S11061809
68103-025		HU00157562		S11261109
68103-129	BH00976636	HU00085560	RR00009208	S11103309
68103-264	BH00515752	HU00150601		
68106-906		HU00153837		
68106-910	BH00824747	HU00153863		
68106-912	BH00967351	HU00157665		
68109-009	BH00930806	HU00830726		
68109-011	BH00514497	HU00085577		
68109-012	BH00593168	HU00086487		
68109-114	BH00302139	HU00087891		
68109-115	BH00515574	HU00087938		
68109-129		HU00156361		
68109-222		HU00154053		
69115-004		HU00084542		

Equivalent Part Numbers

Wooster	Brueninghaus	Hydromatik	Lohr	Sigma
69116-012	BH00277592	HU00087165		
69116-019	BH00439266	HU00087756		S11292909
71128-015	BH00114995	HU00083381	RR00013771	S03702509
71128-018	BH00800550	HU00153012	RR00007042	
71128-058	BH00189022	HU00083416	RR00003975	
76122-006	BH00921254	HU00157039		S11133909
76122-010	BH00967343	HU00157038	RR00007769	S00776988
76122-012	BH00976351	HU00831665		

Variable Motor AA6VM Series 63

Specifications, descriptions, and illustrative material shown herein were as accurate as known at the time this publication was printed. Rexroth reserves the right to discontinue models or options at any time or to change specifications, materials, or designs without notice and without incurring obligation.

DISTRIBUTED BY: