

Spare parts list

Product Unit

Axial Piston Units

Part No.: R902405422

Designation: A A7V-SL 1000 HD 51LZHOD -SO

Drawing no.: R910803781

| Pos. | Part No. | Designation | Quantity | |
|------|------------|--|----------|---|
| 1 | R910942781 | TW A7V-SL1000/L5ZX | 1 ST | L |
| 2 | R910988216 | V A7V 1000 HD+D -S | 1 ST | L |
| 4 | R910589896 | EINSTELLTEIL ANSCHLAG A7V | 1 ST | L |
| 5 | R910803334 | EINSTELLTEIL A7V 1000 -SO | 1 ST | L |
| 6 | R910802069 | HOUSING | 1 ST | |
| 10 | R910632619 | V-SCHRAUBE N 02.009-M 42X2 P #240NM | 1 ST | D |
| 12 | R910415235 | V-SCHRAUBE N 02.009-M 18X1,5 -P # 40NM | 2 ST | D |
| 13 | R902601957 | POLLUTION SWITCH | 1 ST | |
| 14 | R910902855 | RED.VERSCHR. M 42X2 -M 22X1,5 | 1 ST | |
| 15 | R910744689 | EOLASTIC-DICHTR.ED M 42X2,0 FPEO | 1 ST | D |

Spare parts list

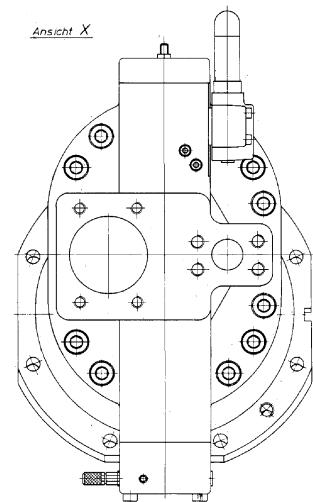
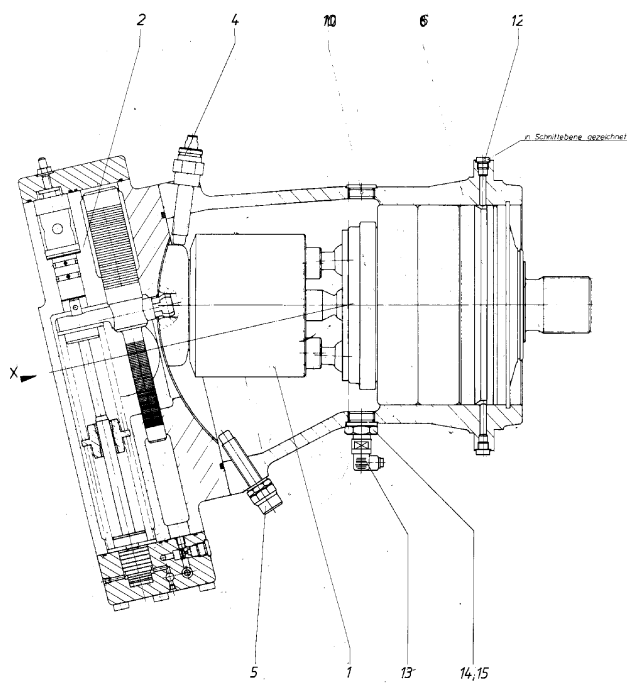
Part No.: R902405422

Designation: A A7V-SL 1000 HD 51LZHOD -SO

Product Unit

Axial Piston Units

Drawing no.: R910803781



Spare parts list

Product Unit
Axial Piston Units

Part No.: R910942781
Designation: TW A7V-SL1000/L5ZX

Drawing no.: R910942792

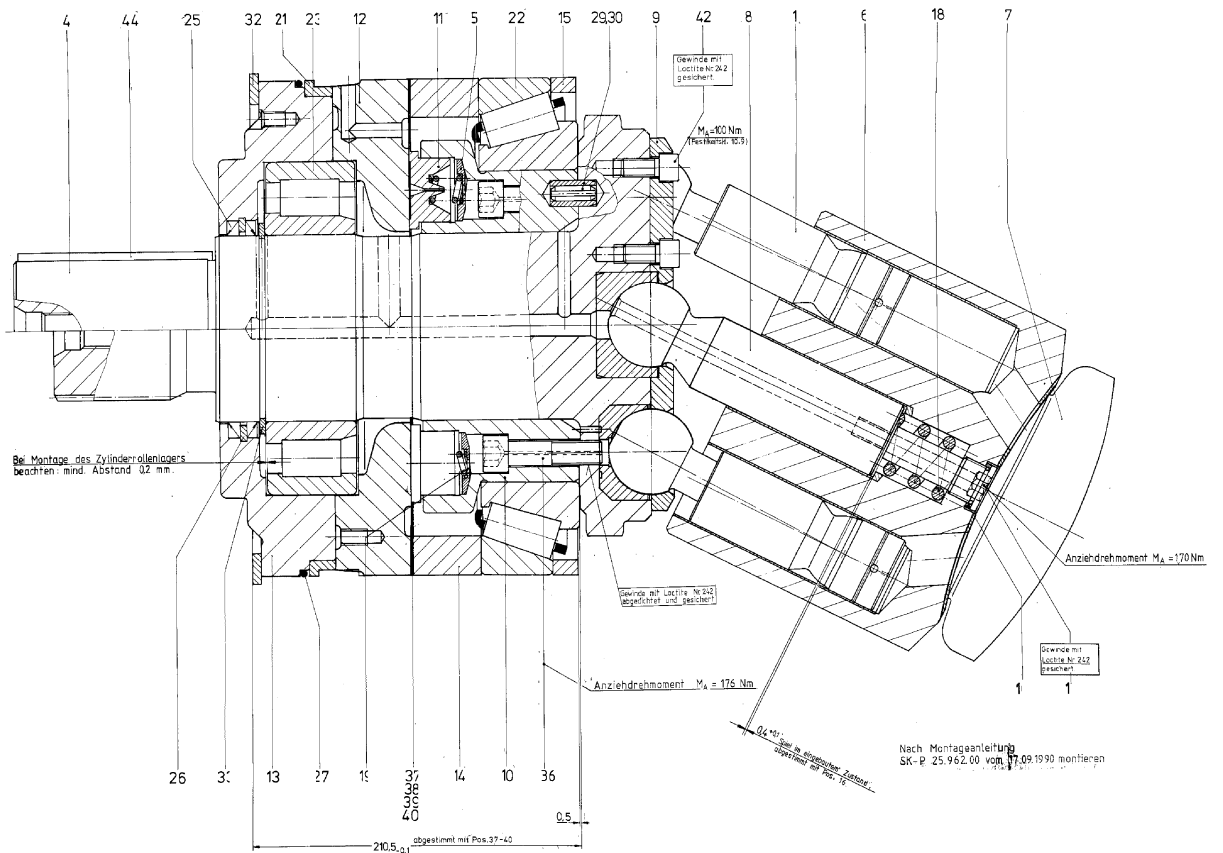
| Pos. | Part No. | Designation | Quantity | |
|------|------------|---|----------|---|
| 1 | R910994577 | PISTON | 7 ST | L |
| 4 | R902414323 | TRIEBFLANSCH Z BG50/BR5 SL KOMPLETT | 1 ST | L |
| 5 | R910928715 | SPRING COLLAR | 7 ST | |
| 6 | R910638048 | CYLINDER | 1 ST | |
| 7 | R910942789 | STEUERLINSE A7V 1000/5.1L | 1 ST | L |
| 8 | R910795097 | DRUCKZAPFEN | 1 ST | |
| 9 | R910935251 | RETAINING PLATE | 1 ST | |
| 10 | R910741892 | GLEITSCHUHTRAEGER | 1 ST | |
| 11 | R910741973 | GLEITSCHUH BG50/BR6 SL | 7 ST | |
| 12 | R910742651 | SLIPPER DISC | 1 ST | |
| 13 | R910906659 | DICHTFLANSCH SL-A7V | 1 ST | |
| 14 | R910741965 | SPACER RING | 1 ST | |
| 15 | R910741949 | RING | 1 ST | |
| 16 | R910941875 | ADJUSTMENT RING | 1 ST | |
| 17 | R910941832 | SPACER BOLT | 1 ST | |
| 18 | R910678759 | SPRING | 1 ST | |
| 19 | R910715247 | SPRING | 7 ST | |
| 21 | R910905445 | RING | 1 ST | |
| 22 | R910742112 | KEGELROLLENL. 93787/J93129A | 1 ST | L |
| 23 | R910742139 | PLAIN ROLLER BEARING | 1 ST | |
| 25 | R910702684 | WDR BAB SL 1,0 120X140X 7,5 75 V 595 | 2 ST | D |
| 26 | R910188697 | SICHERUNGSR. 140X4,0 DIN 472 | 1 ST | |
| 27 | R910187364 | O-RING | 1 ST | D |
| 29 | R910107018 | SPANNHUELSE 10X 28 DIN 1481 | 1 ST | |
| 30 | R910921207 | SPANNHUELSE 16X 28 DIN 1481 | 1 ST | |
| 32 | R910638196 | RETAINING RING | 1 ST | |
| 33 | R910742147 | SICHERUNGSR. 120X4,0 DIN 471 | 1 ST | |
| 36 | R910928716 | SCREW | 7 ST | |
| 37 | R910638242 | PASSSCHEIBE PS 270 X320X1,0TOLERANZEN D12 | 1 ST | |
| 38 | R910638234 | PASSSCHEIBE PS 270 X320X0,5TOLERANZEN D12 | 1 ST | |
| 39 | R910638226 | PASSSCHEIBE PS 270 X320X0,2TOLERANZEN D12 | 2 ST | |
| 42 | R910194484 | ZYL.SCHR.M 12X 25 -10.9 DIN 912 #130NM | 14 ST | |

Spare parts list

Part No.: R910942781
Designation: TW A7V-SL1000/L5ZX

Product Unit
Axial Piston Units

Drawing no.: R910942792



Spare parts list

Product Unit

Axial Piston Units

Part No.: R910994577

Designation: PISTON

| Pos. | Part No. | Designation | Quantity |
|------|------------|-------------|----------|
| 1 | R910993663 | PISTON | 1 ST |
| 2 | R910637866 | PISTON ROD | 1 ST |

Spare parts list

Product Unit

Axial Piston Units

Part No.: R902414323

Designation: TRIEBFLANSCH Z BG50/BR5 SL KOMPLETT

| Pos. | Part No. | Designation | Quantity |
|------|------------|--------------------------------|----------|
| 1 | R902414324 | TRIEBFLANSCH Z BG50/BR5 SL | 1 ST |
| 2 | R910917609 | KALOTTENEINSATZ-SL BG50/BR5 SL | 7 ST |
| 3 | R910788767 | MITTELKALOTTENEINSATZ BG50/BR6 | 1 ST |

Spare parts list

Product Unit
Axial Piston Units

Part No.: R910942789
Designation: STEUERLINSE A7V 1000/5.1L

Drawing no.: R910942790

| Pos. | Part No. | Designation | Quantity | |
|------|------------|--------------------------|----------|---|
| 1 | R910804008 | STEUERLINSE A7V1000/5.1L | 1 ST | |
| 2 | R910836761 | ORIFICE | 2 ST | |
| 3 | R909831318 | DOUBLE BREAK-OFF PIN | 2 ST | D |

Spare parts list

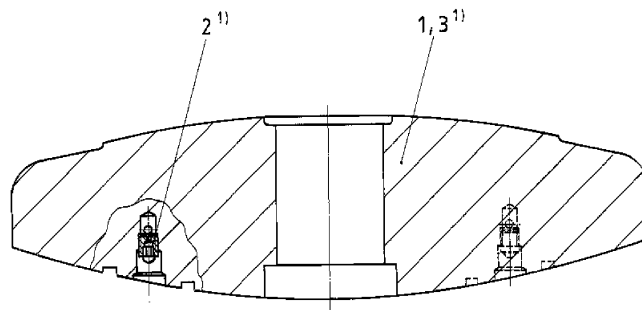
Part No.: R910942789

Designation: STEUERLINSE A7V 1000/5.1L

Product Unit

Axial Piston Units

Drawing no.: R910942790



¹⁾ mit Loctite Nr. 242 gesichert

Spare parts list

Product Unit

Axial Piston Units

Part No.: R910742112

Designation: KEGELROLLENL. 93787/J93129A

| Pos. | Part No. | Designation | Quantity |
|------|------------|---------------------------|----------|
| 1 | R910904187 | INNENTEIL 93787 TIMKEN | 1 ST |
| 2 | R910904188 | AUSSENRING J93129A TIMKEN | 1 ST |

Spare parts list

Product Unit
Axial Piston Units

Part No.: R910988216
Designation: V A7V 1000 HD+D -S

Drawing no.: R910988217

| Pos. | Part No. | Designation | Quantity | |
|------|------------|---|----------|---|
| 1 | R910803270 | DECKEL A7V 1000 HD-S 10-45 BAR | 1 ST | L |
| 2 | R910848832 | STEUERTEIL A7V 1000 HD | 1 ST | L |
| 4 | R910805556 | DECKEL A7V 1000 | 1 ST | L |
| 5 | R910850454 | PORT PLATE | 1 ST | |
| 6 | R910544752 | O-RING | 1 ST | D |
| 7 | R910841803 | STELLKOLBEN | 1 ST | |
| 8 | R902414363 | STELLZAPFEN | 1 ST | |
| 9 | R910590304 | GUIDE BAR | 1 ST | |
| 10 | R910596981 | SPRING | 2 ST | |
| 11 | R910590282 | SPRING COLLAR | 1 ST | |
| 12 | R910590274 | SPRING COLLAR | 1 ST | |
| 13 | R910590207 | RING | 1 ST | |
| 16 | R910843571 | THROTTLE SCREW | 1 ST | |
| 17 | R910825654 | THROTTLE SCREW | 1 ST | |
| 19 | R910596949 | FEDERFUEHRUNG A7V HD | 1 ST | |
| 20 | R910937324 | SEQUENCE VALVE | 1 ST | D |
| 25 | R910414751 | ZYL.SCHR.M 24X 80 -10.9 DIN 912 #1060NM | 12 ST | |
| 26 | R910100846 | LOCK WASHER | 12 ST | |
| 27 | R910295396 | ZYL.SCHR.M 10X 70 -10.9 DIN 912 #75NM | 4 ST | |
| 28 | R910100765 | LOCK WASHER | 4 ST | |
| 29 | R910514179 | CYLINDER PIN | 2 ST | |
| 30 | R910672009 | CLAMPING PIN | 1 ST | |
| 31 | R910807079 | THREADED PIN | 1 ST | |
| 37 | R910531286 | LOCKING SCREW | 7 ST | D |
| 40 | R910531308 | V-SCHRAUBE N 02.009-M 14X1,5 -P # 30NM | 2 ST | D |
| 41 | R910533998 | V-SCHRAUBE N 02.009-M 22X1,5 P # 60NM | 1 ST | D |
| 43 | R910415235 | V-SCHRAUBE N 02.009-M 18X1,5 -P # 40NM | 1 ST | D |
| 45 | R910585017 | V-SCHRAUBE N 02.009-M 8X1 P # 5NM | 1 ST | D |
| 64 | R910632511 | V-SCHRAUBE N 02.009-M 16X1,5 P # 35NM | 1 ST | D |

Spare parts list

Product Unit
Axial Piston Units

Part No.: R910803270
Designation: DECKEL A7V 1000 HD-S 10-45 BAR

Drawing no.: R910803272

| Pos. | Part No. | Designation | Quantity | |
|------|------------|---|----------|---|
| 1 | R910803271 | DECKEL 10-45 BAR | 1 ST | |
| 2 | R910847143 | CONTROL PISTON | 1 ST | |
| 4 | R910581224 | SPRING | 1 ST | |
| 11 | R910744522 | EOLASTIC-DICHTR.ED M 12X1,5 NBEO | 1 ST | D |
| 12 | R910802016 | RED.VERSCHR. M 12X1,5-M 10X1 | 1 ST | |
| 13 | R910726761 | SCHR.KUPPL. 2103-01-33.10 'FPM' HYDROT. | 1 ST | |
| 14 | R910513016 | ZYL.SCHR.M 16X100 -10.9 DIN 912 #310NM | 6 ST | |
| 15 | R910100803 | LOCK WASHER | 6 ST | |
| 17 | R910531286 | LOCKING SCREW | 1 ST | D |
| 18 | R909831318 | DOUBLE BREAK-OFF PIN | 2 ST | D |
| 19 | R910514985 | O-RING | 2 ST | D |
| 20 | R910672017 | O-RING | 1 ST | D |
| 21 | R910977050 | O-RING | 1 ST | D |
| 22 | R910533998 | V-SCHRAUBE N 02.009-M 22X1,5 P # 60NM | 2 ST | D |
| 23 | R910805513 | CUT-OFF VALVE | 1 ST | L |
| 24 | R910805521 | CUT-OFF VALVE | 1 ST | L |

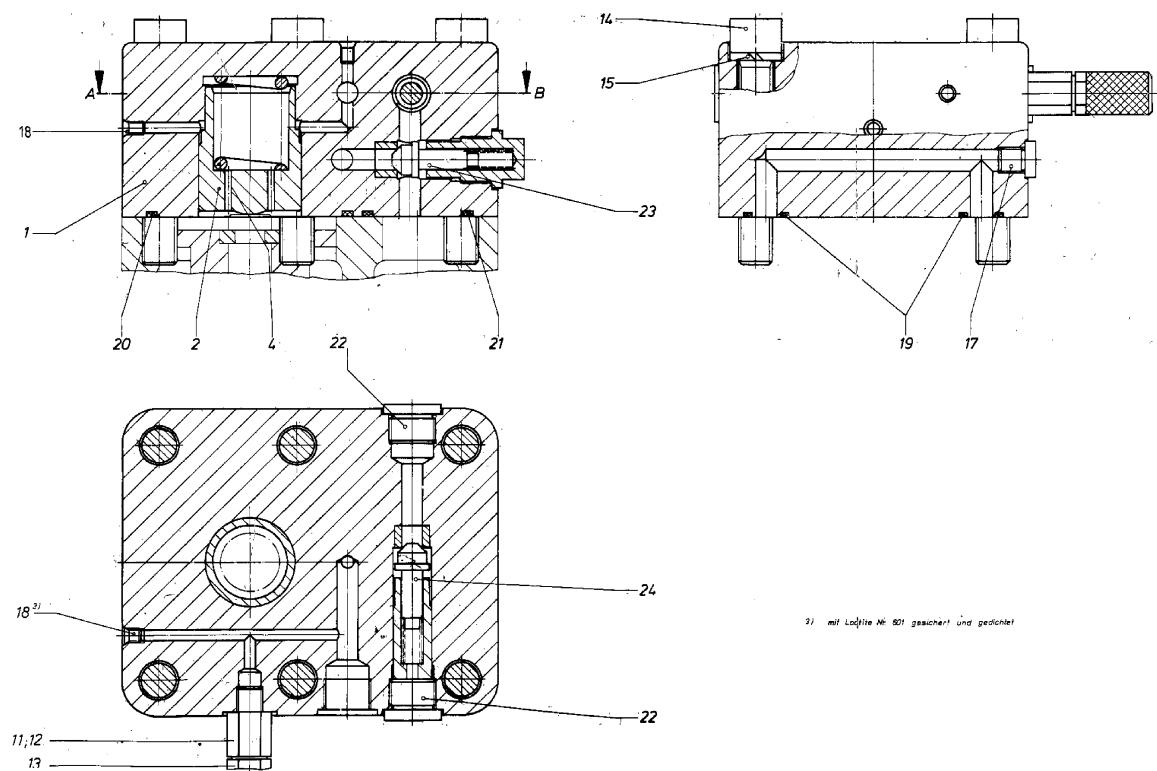
Spare parts list

Product Unit
Axial Piston Units

Part No.: R910803270

Designation: DECKEL A7V 1000 HD-S 10-45 BAR

Drawing no.: R910803272



Spare parts list

Product Unit
Axial Piston Units

Part No.: R910805513
Designation: CUT-OFF VALVE

Drawing no.: R910805459

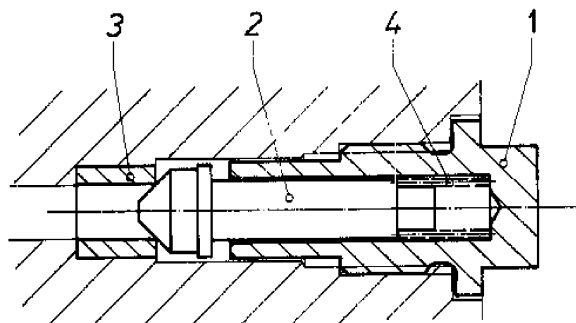
| Pos. | Part No. | Designation | Quantity |
|------|------------|---------------------|----------|
| 50 | R910804029 | VALVE POPPET | 1 ST |
| 50 | R910804045 | VALVE BUSHING | 1 ST |
| 50 | R910596302 | SPRING | 1 ST |
| 50 | R910804037 | VERSCHLUSS-SCHRAUBE | 1 ST |

Spare parts list

Part No.: R910805513
Designation: CUT-OFF VALVE

Product Unit
Axial Piston Units

Drawing no.: R910805459



L = Assembly group D = Sealing element

Status of version: 11/2004

Page: 14

Date: 13.04.2005

Spare parts list

Product Unit
Axial Piston Units

Part No.: R910805521
Designation: CUT-OFF VALVE

Drawing no.: R910805467

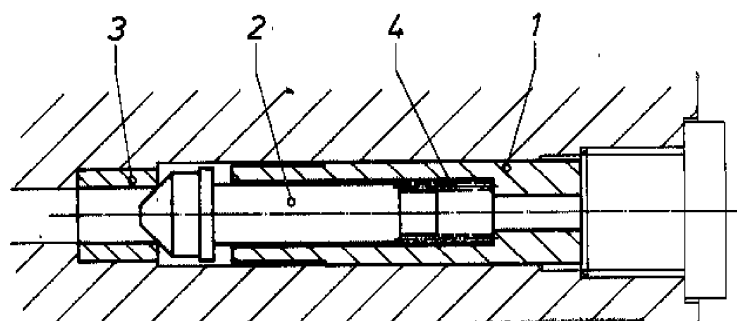
| Pos. | Part No. | Designation | Quantity |
|------|------------|---------------|----------|
| 50 | R910804029 | VALVE POPPET | 1 ST |
| 50 | R910804045 | VALVE BUSHING | 1 ST |
| 50 | R910596302 | SPRING | 1 ST |
| 50 | R910805491 | GUIDE BUSHING | 1 ST |

Spare parts list

Part No.: R910805521
Designation: CUT-OFF VALVE

Product Unit
Axial Piston Units

Drawing no.: R910805467



Spare parts list

Product Unit

Axial Piston Units

Part No.: R910848832

Designation: STEUERTEIL A7V 1000 HD

Drawing no.: R910589993

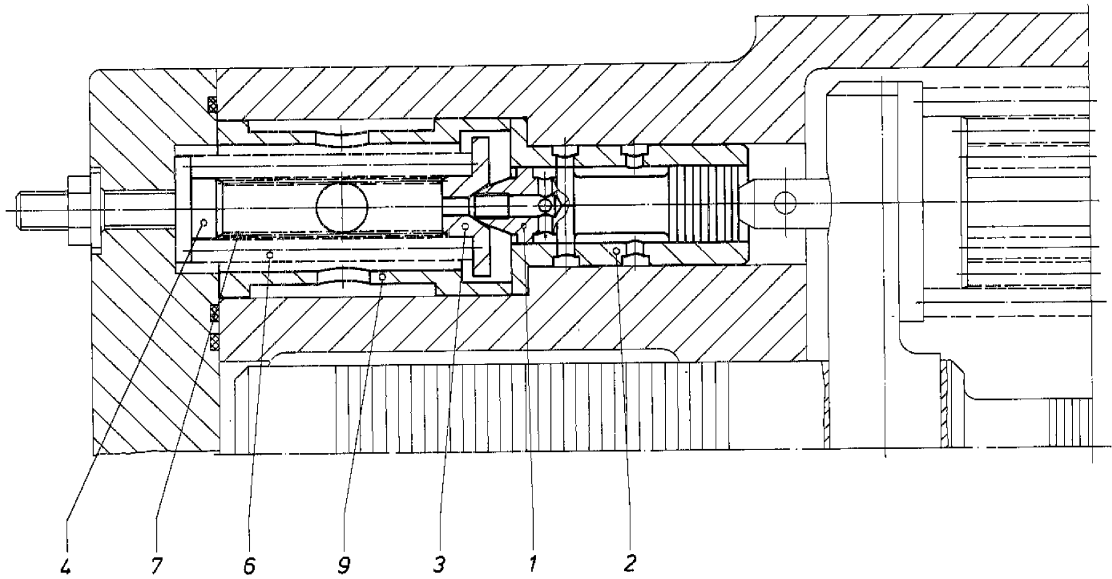
| Pos. | Part No. | Designation | Quantity |
|------|------------|----------------|----------|
| 1 | R910825646 | CONTROL PISTON | 1 ST |
| 2 | R910590258 | STUEBERBUECHSE | 1 ST |
| 3 | R910590215 | SPRING COLLAR | 1 ST |
| 4 | R910590193 | SPRING COLLAR | 1 ST |
| 6 | R910590134 | SPRING | 1 ST |
| 7 | R910591122 | SPRING | 1 ST |
| 9 | R910590266 | BUSH | 1 ST |

Spare parts list

Product Unit
Axial Piston Units

Part No.: R910848832
Designation: STEUERTEIL A7V 1000 HD

Drawing no.: R910589993



Spare parts list

Product Unit

Axial Piston Units

Part No.: R910805556

Designation: DECKEL A7V 1000

Drawing no.: R910589985

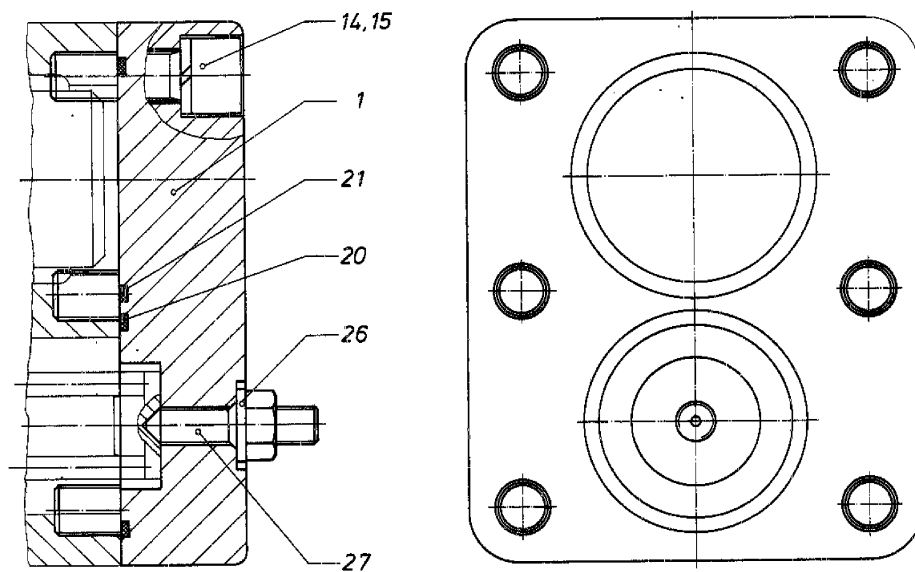
| Pos. | Part No. | Designation | Quantity | |
|------|------------|--|----------|---|
| 50 | R910805424 | COVER | 1 ST | |
| 61 | R910100838 | LOCK WASHER | 6 ST | |
| 61 | R910544744 | ZYL.SCHR.M 20X 60 -10.9 DIN 912 #620NM | 6 ST | |
| 62 | R910544736 | O-RING | 1 ST | D |
| 62 | R910339504 | SEAL-LOCK-M. M12 BOELL0120230 | 1 ST | D |
| 62 | R910945128 | GEW.STIFT M 12X 70 -10.9 | 1 ST | |
| 62 | R910523267 | O-RING | 1 ST | D |

Spare parts list

Part No.: R910805556
Designation: DECKEL A7V 1000

Product Unit
Axial Piston Units

Drawing no.: R910589985



Spare parts list

Product Unit
Axial Piston Units

Part No.: R910589896
Designation: EINSTELLTEIL ANSCHLAG A7V

Drawing no.: R910587907

| Pos. | Part No. | Designation | Quantity | |
|------|------------|-------------|----------|---|
| 50 | R910590363 | NUT | 1 ST | |
| 50 | R910590355 | STOP PIN | 1 ST | |
| 60 | R910671967 | O-RING | 1 ST | D |
| 60 | R910671959 | O-RING | 1 ST | D |

Spare parts list

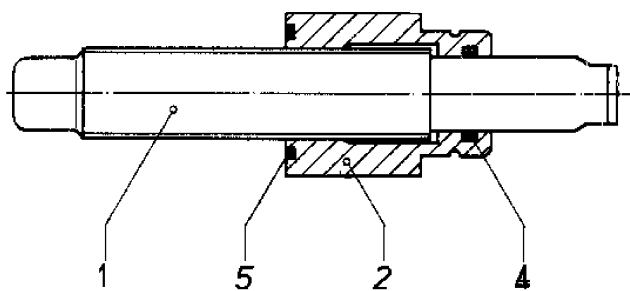
Part No.: R910589896

Designation: EINSTELLTEIL ANSCHLAG A7V

Product Unit

Axial Piston Units

Drawing no.: R910587907



L = Assembly group D = Sealing element

Status of version: 11/2004

Page: 22

Date: 13.04.2005

Spare parts list

Product Unit
Axial Piston Units

Part No.: R910803334
Designation: EINSTELLTEIL A7V 1000 -SO

Drawing no.: R910803335

| Pos. | Part No. | Designation | Quantity | |
|------|------------|--------------------------------|----------|---|
| 1 | R910803336 | STOP PIN | 1 ST | L |
| 2 | R910803337 | NUT | 1 ST | |
| 3 | R910803338 | HYDRAULIC/PNEUMATIC PILOT UNIT | 1 ST | |
| 5 | R910971035 | O-RING | 2 ST | D |

Spare parts list

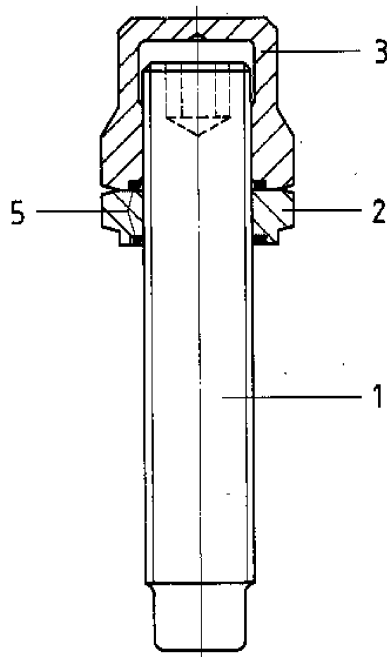
Part No.: R910803334

Designation: EINSTELLTEIL A7V 1000 -SO

Product Unit

Axial Piston Units

Drawing no.: R910803335



Spare parts list

Product Unit
Axial Piston Units

Part No.: R910803336
Designation: STOP PIN

| Pos. | Part No. | Designation | Quantity |
|------|------------|-------------|----------|
| 1 | R910590355 | STOP PIN | 1 ST |