

**Spare parts list**Product Unit  
Axial Piston Units

Part No.: R909412376

Designation: A8VO80SR/60R1-PZG05F00

\*G\*

Drawing no.: R909722649

Pos.	Part No.	Designation	Quantity	
1	R902018389	CONTROL	1 ST	L
2	R909411235	ROTARY GROUP	1 ST	L
3	R909411234	ROTARY GROUP	1 ST	L
4	R909412214	INTERNAL GEAR PUMP	1 ST	L
5	R909430595	PUMP HOUSING	1 ST	
6	R909410980	COVER	1 ST	D
7	R909425596	GEAR	1 ST	
8	R909422705	STUB SHAFT	1 ST	
20	R909083417	RETAINING RING	1 ST	
21	R909831232	SHAFT SEAL RING	1 ST	D
22	R909086948	O-RING	1 ST	D
23	R909153364	LOCKING SCREW	1 ST	D
24	R909151979	LOCKING SCREW	3 ST	D
25	R909085444	BALL BEARING	2 ST	
26	R909083980	SHAFT KEY	1 ST	

**Safety Notes:**

**Service – and repair works have to be carried out by the Bosch Rexroth AG or their repair stations only. We do not grant any warranty for defects due to assembly, maintenance or repair not effected by the Bosch Rexroth AG or their repair stations.**

L = Assembly group    D = Sealing element

Status of version: 3/2006

Page: 1

Date: 27.06.2006

## Spare parts list

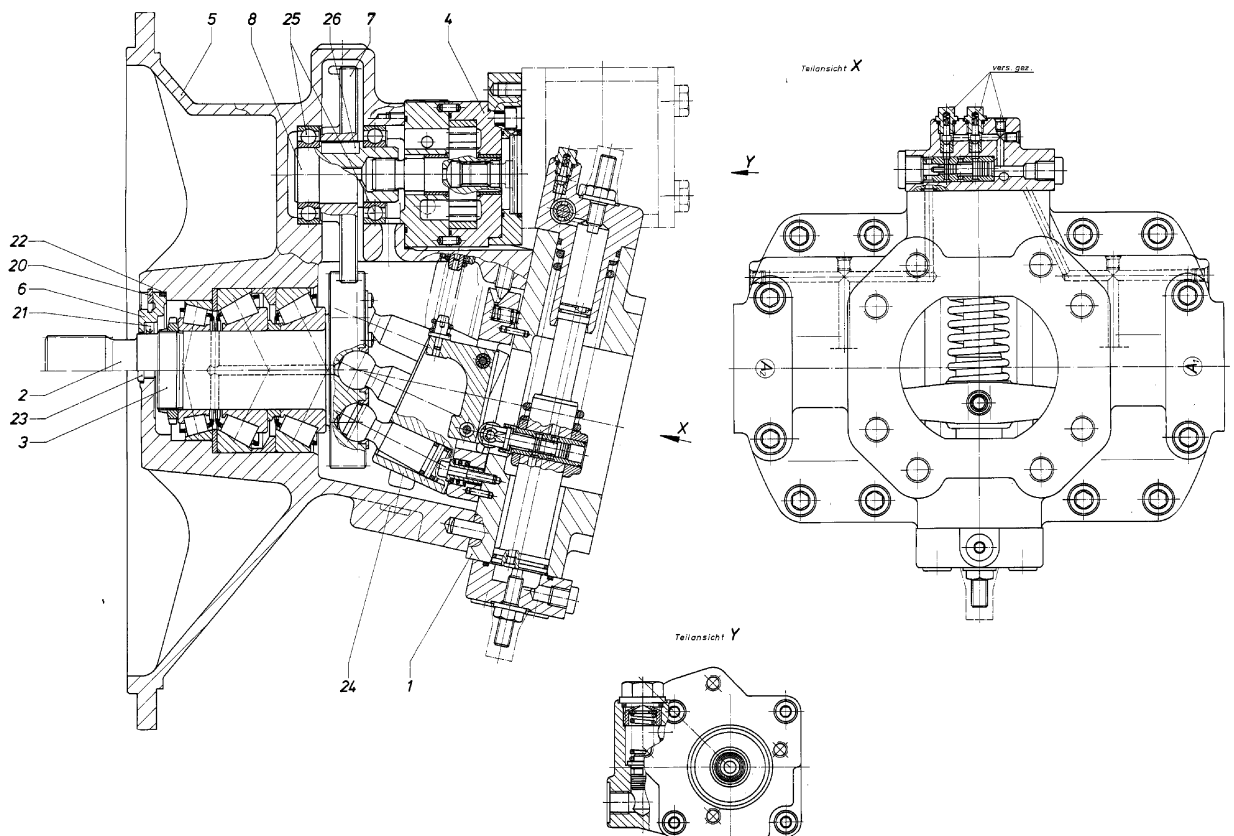
Product Unit  
Axial Piston Units

Part No.: R909412376

Designation: A8VO80SR/60R1-PZG05F00

\*G\*

Drawing no.: R909722649



## Spare parts list

Product Unit  
Axial Piston Units

Part No.: R902018389  
Designation: CONTROL

Drawing no.: R902018334

Pos.	Part No.	Designation	Quantity	
1	R909420432	PRESSURE REGULATING VALVE	1 ST	L
2	R909420418	COVER	1 ST	L
5	R909419293	CONTROL HOUSING	1 ST	
6	R909412864	POSITIONING PISTON	1 ST	
7	R909415118	SWIVEL FORK	1 ST	
8	R909412866	CONTROL BUSH	1 ST	
9	R909412867	CONTROL PISTON	1 ST	
10	R902004382	BRACKET	1 ST	
11	R909073211	PRESSURE SPRING	1 ST	
12	R909418581	BACK-UP BUSHING	1 ST	
13	R909418577	PRESSURE SPRING	1 ST	
15	R909410887	SPRING COLLAR	1 ST	
16	R909419231	PRESSURE SPRING	1 ST	
17	R909410891	SPRING COLLAR	1 ST	
18	R909430548	LOCKING SCREW	1 ST	
19	R909430547	THREADED PIN	1 ST	
20	R909415924	BOLT	2 ST	
21	R909411212	BOLT	1 ST	
22	R909419629	CONTROL LEVER	1 ST	
23	R909412369	THREADED PIN	1 ST	
24	R909410885	PRESSURE SPRING	1 ST	
25	R909650391	GASKET	1 ST	D
30	R909152426	SEAL LOCK NUT	1 ST	D
31	R909157764	SEAL LOCK NUT	1 ST	D
32	R909085810	RETAINING DISC	6 ST	
33	R909084186	CYLINDER PIN	2 ST	
34	R909084141	CYLINDER PIN	2 ST	
35	R909083758	O-RING	1 ST	D
36	R909087327	BALL BEARING	1 ST	D
37	R909156271	NEEDLE CROWN	1 ST	
38	R909083100	SOCKET-HEAD SCREW	4 ST	
39	R909083087	SOCKET-HEAD SCREW	8 ST	
40	R909156647	SQUARE RING	1 ST	D
41	R909153873	SQUARE RING	1 ST	D
42	R909083024	SOCKET-HEAD SCREW	1 ST	
43	R909831319	DOUBLE BREAK-OFF PIN	2 ST	D

L = Assembly group    D = Sealing element

Status of version: 3/2006

Page: 3

Date: 27.06.2006

## Spare parts list

Part No.: R902018389  
Designation: CONTROL

Product Unit  
Axial Piston Units

Drawing no.: R902018334

45                    R909607176        ORIFICE

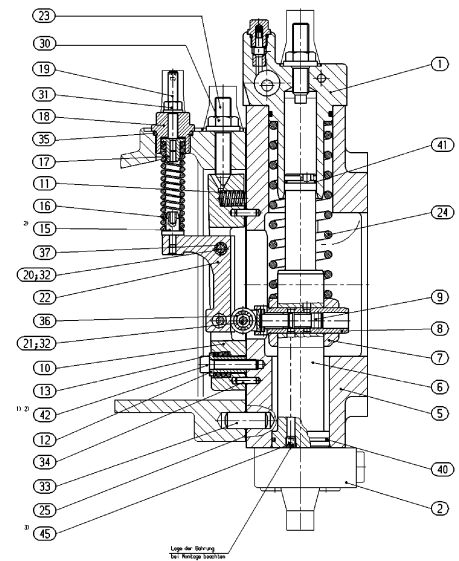
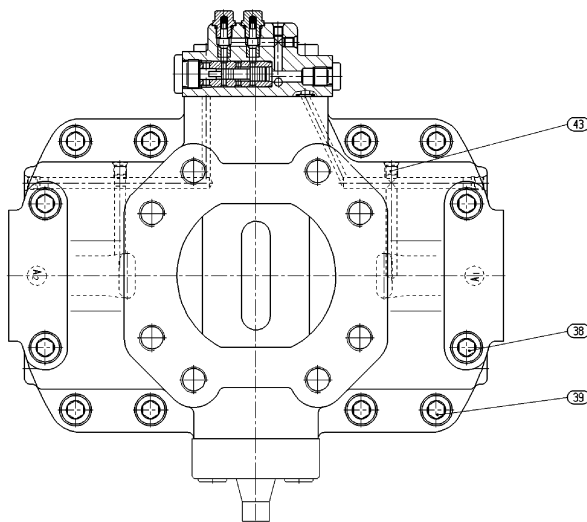
1 ST                LD

## Spare parts list

Part No.: R902018389  
Designation: CONTROL

Product Unit  
Axial Piston Units

Drawing no.: R902018334



D = Gehäuse nach ISO4131 / Anfring montiert  
D = mit O-RING 200 gesichert  
D = Antriebsmotor PA = 100a

**Spare parts list**Product Unit  
Axial Piston UnitsPart No.: R909420432  
Designation: PRESSURE REGULATING VALVE

Drawing no.: R909731291

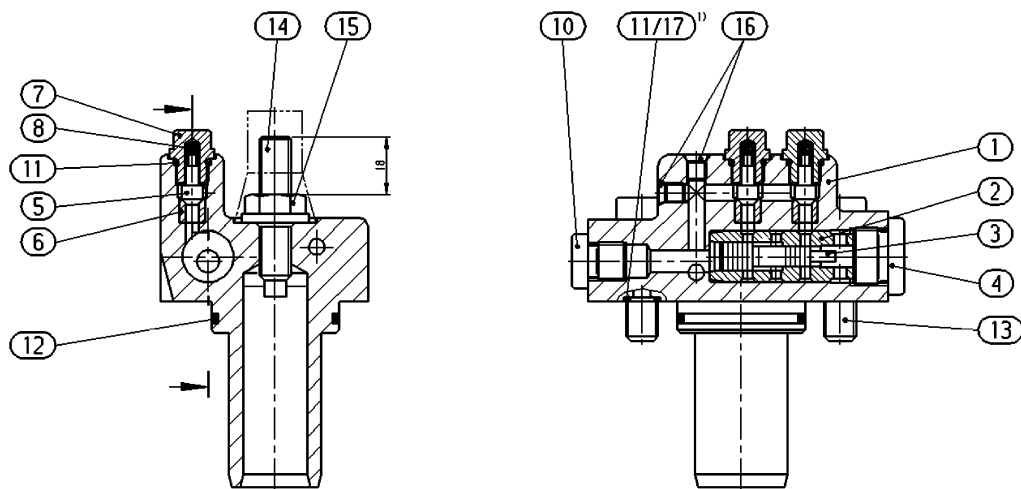
Pos.	Part No.	Designation	Quantity	
1	R909412364	PRESS. AVERAGING VALVE HOUSING	1 ST	
2	R909412333	CONTROL BUSH	1 ST	
3	R909412334	CONTROL PISTON	1 ST	
4	R909412335	LOCKING SCREW	1 ST	
5	R909415579	VALVE POPPET	2 ST	
6	R909415815	BUSH	2 ST	
7	R909415580	LOCKING SCREW	2 ST	
8	R909060519	PRESSURE SPRING	2 ST	
10	R909151692	LOCKING SCREW	1 ST	D
11	R909086498	O-RING	4 ST	D
12	R909083769	O-RING	1 ST	D
13	R909083063	SOCKET-HEAD SCREW	2 ST	
14	R909086752	THREADED PIN	1 ST	
15	R909152426	SEAL LOCK NUT	1 ST	D
16	R909831318	DOUBLE BREAK-OFF PIN	3 ST	D

## Spare parts list

Product Unit  
Axial Piston Units

Part No.: R909420432  
Designation: PRESSURE REGULATING VALVE

Drawing no.: R909731291



1) nur bei Steckl. 536.06.02.02

## Spare parts list

Product Unit  
Axial Piston Units

Part No.: R909420418  
Designation: COVER

Drawing no.: R909731931

Pos.	Part No.	Designation	Quantity	
1	R909410907	COVER	1 ST	
3	R909085545	O-RING	1 ST	D
4	R909083087	SOCKET-HEAD SCREW	4 ST	
5	R909152426	SEAL LOCK NUT	1 ST	D
6	R909447150	THREADED PIN	1 ST	L
7	R909151979	LOCKING SCREW	1 ST	D

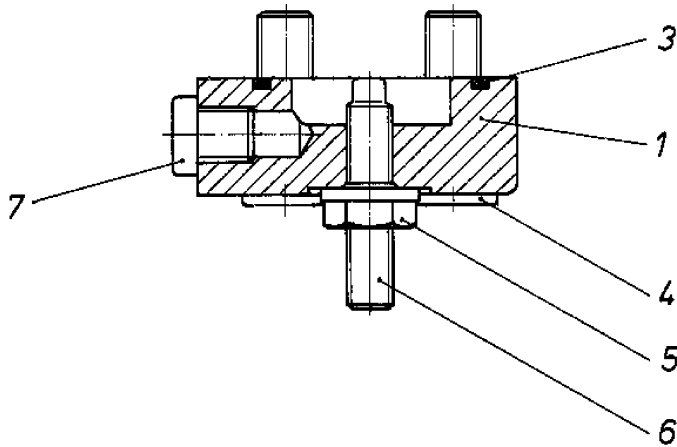


## Spare parts list

Part No.: R909420418  
Designation: COVER

Product Unit  
Axial Piston Units

Drawing no.: R909731931



## Spare parts list

Product Unit

Axial Piston Units

Part No.: R909447150

Designation: THREADED PIN

Pos.	Part No.	Designation	Quantity
1	R909086752	THREADED PIN	1 ST
2	R909154690	THREADED PIN	1 ST
3	R909153779	THREADED PIN	1 ST
4	R909154058	THREADED PIN	1 ST
5	R909156717	THREADED PIN	1 ST
6	R909157215	THREADED PIN	1 ST
7	R909831094	THREADED PIN	1 ST

**Spare parts list**

Product Unit

Axial Piston Units

Part No.: R909607176

Designation: ORIFICE

Pos.	Part No.	Designation	Quantity	
1	R909156493	ORIFICE	1 ST	D
3	R909156494	ORIFICE	1 ST	D
5	R909156495	ORIFICE	1 ST	
6	R909832017	ORIFICE	1 ST	D
7	R909156496	ORIFICE	1 ST	
9	R909156497	ORIFICE	1 ST	
11	R909157343	ORIFICE	1 ST	D
12	R909157344	ORIFICE	1 ST	
13	R909157345	ORIFICE	1 ST	D
14	R902601138	ORIFICE	1 ST	D
15	R902601028	ORIFICE	1 ST	

**Spare parts list**Product Unit  
Axial Piston UnitsPart No.: R909411235  
Designation: ROTARY GROUP

Drawing no.: R909700434

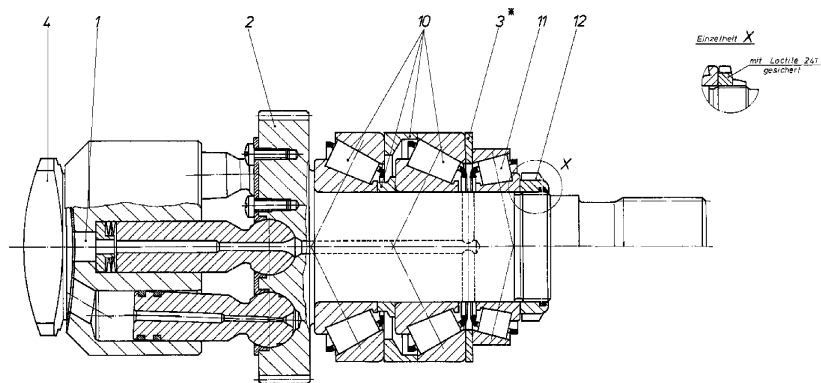
Pos.	Part No.	Designation	Quantity	
1	R909410209	ROTARY GROUP, HYDR. SECTION	1 ST	L
2	R909425758	PINION GEAR	1 ST	
3	R909651577	SHIM	1 ST	
3	R909651578	SHIM	1 ST	
3	R909651576	SHIM	1 ST	
3	R909651579	SHIM	1 ST	
3	R909651580	SHIM	1 ST	
4	R909650451	CONTROL LENS, RIGHT-HAND ROT.	1 ST	
10	R909154483	TAPERED-ROLLER BEARING UNIT	1 ST	
11	R909151101	TAPERED-ROLLER BEARING	1 ST	
12	R909156019	RING NUT	1 ST	

## Spare parts list

Part No.: R909411235  
Designation: ROTARY GROUP

Product Unit  
Axial Piston Units

Drawing no.: R909700434



**Spare parts list**

Product Unit

Axial Piston Units

Part No.: R909410209

Designation: ROTARY GROUP, HYDR. SECTION

Drawing no.: R909700433

Pos.	Part No.	Designation	Quantity	
1	R902006884	CYLINDER	1 ST	
3	R909408762	CENTER PIN	1 ST	
4	R902021909	PISTON WITH PISTON RINGS	7 ST	L
6	R909412412	SPRING COLLAR	1 ST	
6	R909412413	SPRING COLLAR	1 ST	
6	R902043503	SPRING COLLAR	1 ST	
6	R909412414	SPRING COLLAR	1 ST	
6	R909412415	SPRING COLLAR	1 ST	
6	R909412416	SPRING COLLAR	1 ST	
6	R909412417	SPRING COLLAR	1 ST	
7	R909408894	CUP SPRING	4 ST	
11	R909062847	RETAINING PLATE	1 ST	
12	R902602493	SCREW (COUNTERSUNK)	14 ST	

## Spare parts list

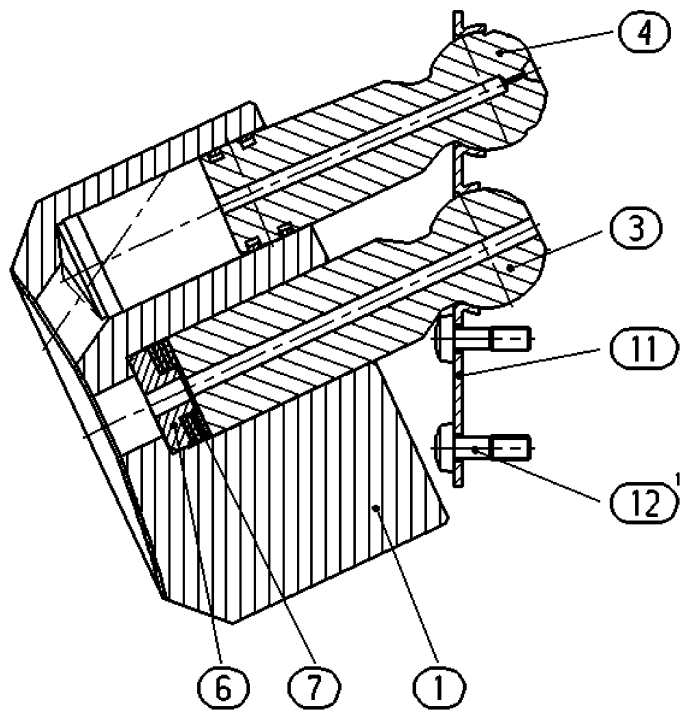
Part No.: R909410209

Designation: ROTARY GROUP, HYDR. SECTION

Product Unit

Axial Piston Units

Drawing no.: R909700433



1) N02.119 beachten

## Spare parts list

Product Unit  
Axial Piston Units

Part No.: R902021909  
Designation: PISTON WITH PISTON RINGS

Drawing no.: R902021890

Pos.	Part No.	Designation	Quantity
1	R909443339	PISTON	1 ST
2	R909831893	STEEL SEALING RING	2 ST



## Spare parts list

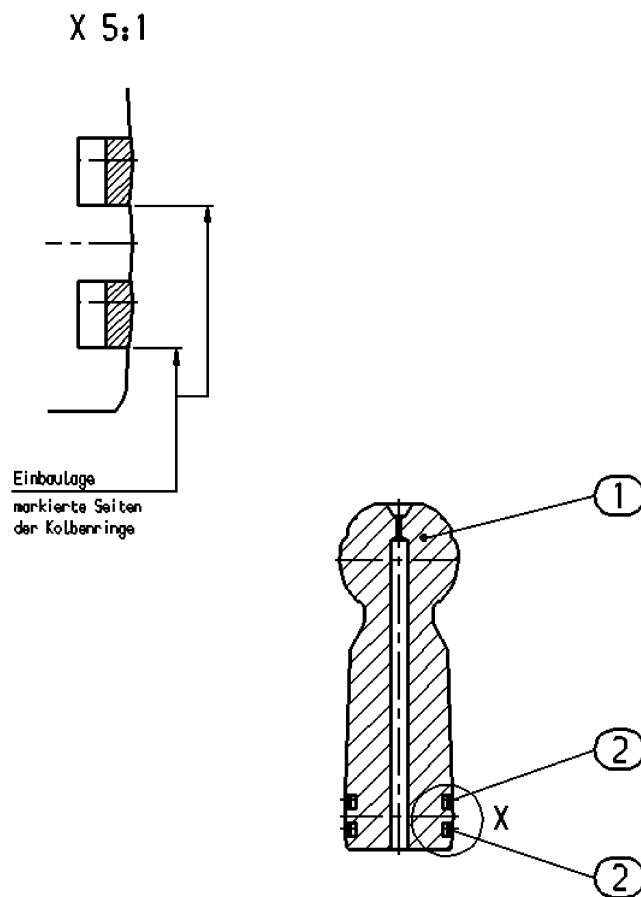
Part No.: R902021909

Designation: PISTON WITH PISTON RINGS

Product Unit

Axial Piston Units

Drawing no.: R902021890



**Spare parts list**Product Unit  
Axial Piston UnitsPart No.: R909411234  
Designation: ROTARY GROUP

Drawing no.: R909700434

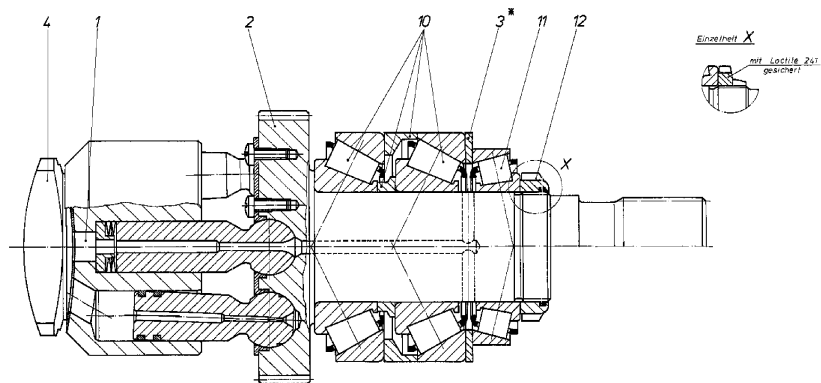
Pos.	Part No.	Designation	Quantity	
1	R909410209	ROTARY GROUP, HYDR. SECTION	1 ST	L
2	R909425759	DRIVE SHAFT	1 ST	
3	R909651577	SHIM	1 ST	
3	R909651578	SHIM	1 ST	
3	R909651576	SHIM	1 ST	
3	R909651579	SHIM	1 ST	
3	R909651580	SHIM	1 ST	
4	R909650452	CONTROL LENS, LEFT-HAND	1 ST	
10	R909154483	TAPERED-ROLLER BEARING UNIT	1 ST	
11	R909151101	TAPERED-ROLLER BEARING	1 ST	
12	R909156019	RING NUT	1 ST	

## Spare parts list

Part No.: R909411234  
Designation: ROTARY GROUP

Product Unit  
Axial Piston Units

Drawing no.: R909700434



**Spare parts list**Product Unit  
Axial Piston UnitsPart No.: R909410209  
Designation: ROTARY GROUP, HYDR. SECTION

Drawing no.: R909700433

Pos.	Part No.	Designation	Quantity	
1	R902006884	CYLINDER	1 ST	
3	R909408762	CENTER PIN	1 ST	
4	R902021909	PISTON WITH PISTON RINGS	7 ST	L
6	R909412412	SPRING COLLAR	1 ST	
6	R909412413	SPRING COLLAR	1 ST	
6	R902043503	SPRING COLLAR	1 ST	
6	R909412414	SPRING COLLAR	1 ST	
6	R909412415	SPRING COLLAR	1 ST	
6	R909412416	SPRING COLLAR	1 ST	
6	R909412417	SPRING COLLAR	1 ST	
7	R909408894	CUP SPRING	4 ST	
11	R909062847	RETAINING PLATE	1 ST	
12	R902602493	SCREW (COUNTERSUNK)	14 ST	

## Spare parts list

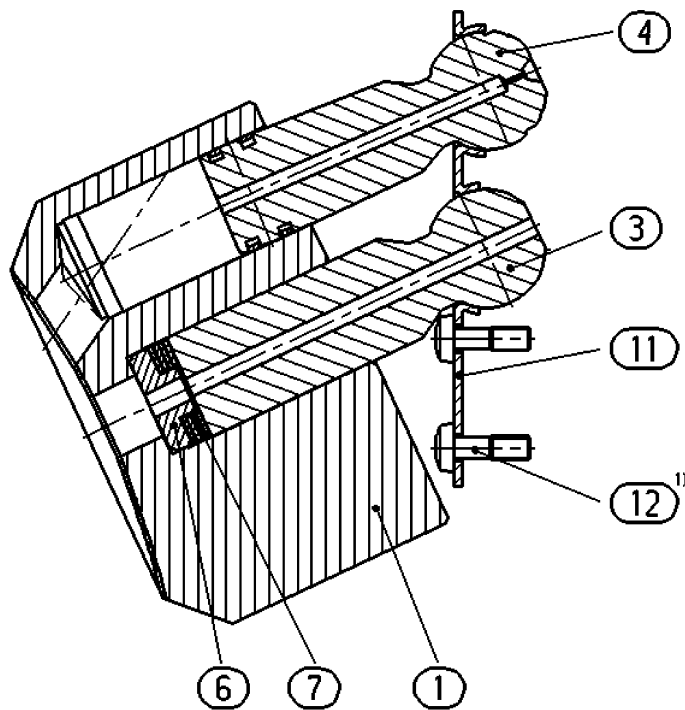
Part No.: R909410209

Designation: ROTARY GROUP, HYDR. SECTION

Product Unit

Axial Piston Units

Drawing no.: R909700433



1) N02.119 beachten

## Spare parts list

Product Unit  
Axial Piston Units

Part No.: R902021909  
Designation: PISTON WITH PISTON RINGS

Drawing no.: R902021890

Pos.	Part No.	Designation	Quantity
1	R909443339	PISTON	1 ST
2	R909831893	STEEL SEALING RING	2 ST

## Spare parts list

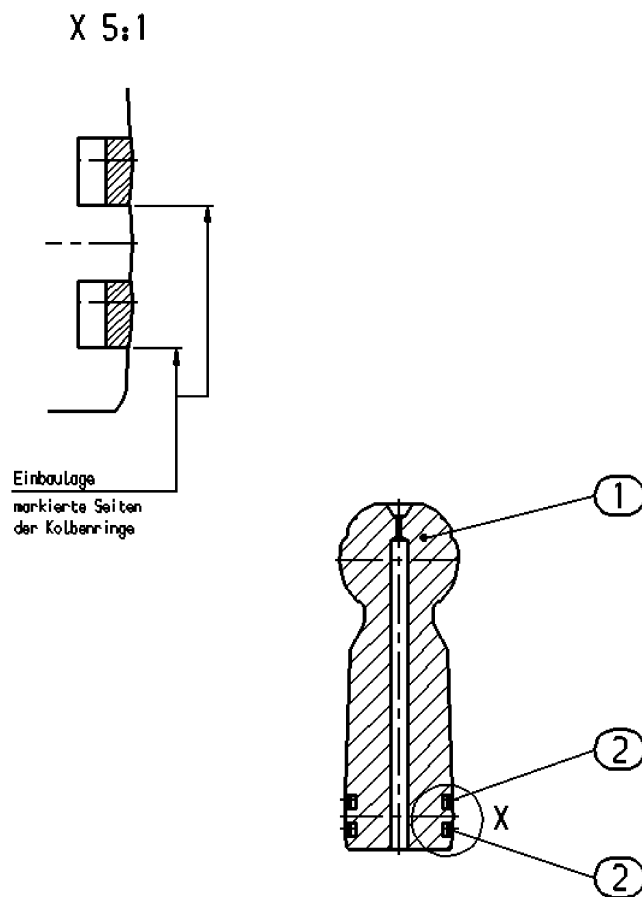
Part No.: R902021909

Designation: PISTON WITH PISTON RINGS

Product Unit

Axial Piston Units

Drawing no.: R902021890



**Spare parts list**Product Unit  
Axial Piston UnitsPart No.: R909412214  
Designation: INTERNAL GEAR PUMP

Drawing no.: R909723565

Pos.	Part No.	Designation	Quantity	
1	R909403651	PUMP COVER	1 ST	L
4	R909412215	SANDWICH PLATE	1 ST	
5	R909069490	BEARING BUSHING	1 ST	
6	R909426804	VALVE PISTON	1 ST	
7	R909403718	PRESSURE SPRING	1 ST	
8	R909409509	LOCKING SCREW	1 ST	
10	R909084162	CYLINDER PIN	2 ST	
11	R909083748	O-RING	1 ST	D
12	R909083788	O-RING	1 ST	D
14	R909083048	SOCKET-HEAD SCREW	4 ST	
15	R909831320	DOUBLE BREAK-OFF PIN	1 ST	D
16	R909080515	WASHER	2 ST	
17	R909083760	O-RING	1 ST	D

L = Assembly group    D = Sealing element

Status of version: 3/2006

Page: 24

Date: 27.06.2006

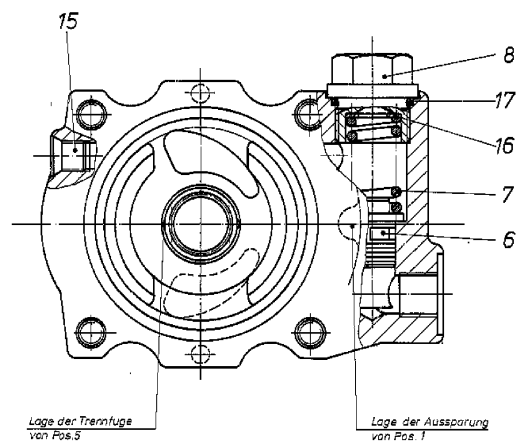
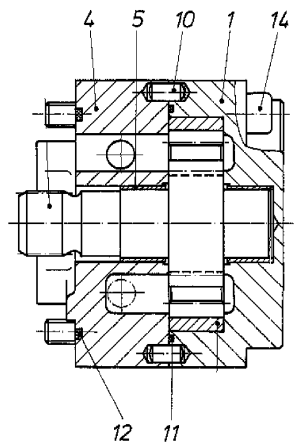


## Spare parts list

Part No.: R909412214  
Designation: INTERNAL GEAR PUMP

Product Unit  
Axial Piston Units

Drawing no.: R909723565



## Spare parts list

Product Unit  
Axial Piston Units

Part No.: R909403651  
Designation: PUMP COVER

Drawing no.: R909723601

Pos.	Part No.	Designation	Quantity
1	R909080209	PUMP COVER	1 ST
2	R909445963	ANNULAR GEARS	1 ST
3	R909401674	PINION SHAFT	1 ST
5	R909069490	BEARING BUSHING	1 ST

## Spare parts list

Part No.: R909403651  
Designation: PUMP COVER

Product Unit  
Axial Piston Units

Drawing no.: R909723601

