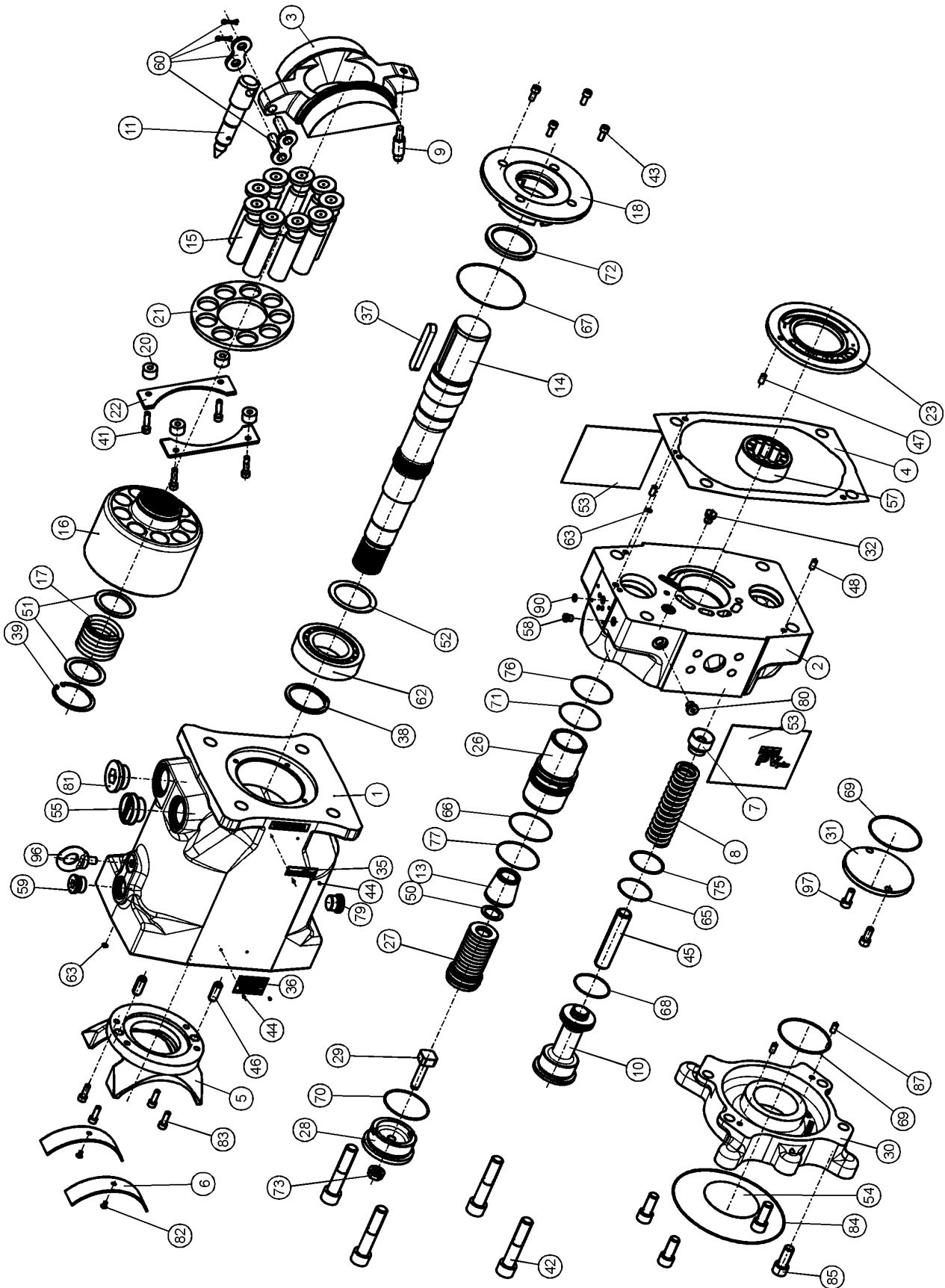


# Parker PV270 Pump Repair Spare Parts, Rotary Groups, Internal Parts Exploded View

Exploded view PV frame size 5, PV270



**For Parker internal use only!**

<b>correlation between position numbers and replacement kits</b>			
<b>pos. No.</b>	<b>description</b>	<b>page</b>	<b>replacement kit</b>
1, 2	pump body, end cover	-	-
3	swash plate, finished	6	swashplate kit
4	body seal	4	seal kit
5	cradle	-	-
6	trunnion bearing, HX	6	trunnion bearing kit
7	spring washer, servo spring	7	servo spring kit
8	servo spring	7	servo spring kit
9	connector servo spring	6	swashplate kit
10	servo spring plug	7	servo spring kit
11	swash plate connector	6	swashplate kit
13	tapered / contour sleeve	8	tapered / contour sleeve
14	shaft	7	shaft unit
15	piston and slipper, crimped	6	rotating group, set of pistons
16	cylinder block	6	rotating group
17	retainer spring, cylinder block	6	rotating group
18	pilot cover	-	-
20	distance washer	6	rotating group
21	slipper retainer	6	rotating group
22	retainer segment	6	rotating group
23	valve plate	6	valve plate
26	servo piston sleeve	8	servo piston sleeve
27	servo piston	7	servo piston kit
28	servo piston cover	7	displacement adjuster kit
29	set screw	7	displacement limiter kit
30	thru drive adaptor	10	mounting kit, thru drive
31	thru drive cover	-	-
32	air bleed valve	8	air bleed valve
35, 36	rotation indicator, name plate	-	-
37	key	7	shaft unit
38	snap ring for shaft	7	shaft unit
39	snap ring for bore	6	rotating group
41	hexagon socket head cap screw, retainer	6	rotating group
42	hexagon socket head cap screw, body	6	connecting bolt kit
43	hexagon socket head cap screw, pilot	6	connecting bolt kit
44	rivet	-	-
45	guide pin, servo spring	7	servo spring kit
46	locator pin cradle	-	-
47	locator pin, valve plate	6	valve plate
48	locator pin, body	6	connecting bolt kit
50	washer, servo piston	7	servo piston kit
51	washer, cylinder block	6	rotating group
52	washer, shaft	7	shaft unit
53, 54	magnet cover for ports, thru drive	-	-
55	protection plug, drain port	-	-
57	roller bearing, rear	7	shaft unit
58	plug, compensator interface	4	seal kit
59	plug, feedback	4	seal kit
60	chain link	6	swashplate kit
62	roller bearing, front	7	shaft unit
63 - 71	o-ring	4	seal kit
72	shaft seal	4	seal kit
73	self sealing lock nut	4, 7	seal kit, displacement limiter
75 - 77, 78	backup rings, retainer for shaft seal	4	seal kit
79 - 81	pipe plug	4	seal kit
82	hexagon socket countersunk head cap screw	6	trunnion bearing kit
83	hexagon socket head cap screw, cradle	-	-
84	o-ring	4	seal kit
85	hexagon socket head cap screw, thru drive	10	mounting kit, thru drive
87	locator pin, thru drive adaptor	10	mounting kit, thru drive
90	o-ring	4	seal kit
91	coupling	9	mounting kit, coupling
92	adaptor for keyed shaft	9	mounting kit, coupling

**For Parker internal use only!**

Pos.	Qty	Ordering code	Description	Remark
		SK- PVBG5 N V E W P S 1 3 7 8 42	Seal kit Series PV, frame size 5, PV270 Seals NBR Seals FPM Seals EPR Seals NBR, shaft seal PTFE (for water glycole resp. case pressure) Seals FPM, shaft seal PTFE (for case pressure) Seals EPR, shaft seal PTFE (for case pressure) Threads: metric, ports: BSPP Threads: UNC, ports: UNF Threads: metric, ports: ISO 6149 Threads: UNC, ports: ISO 6149 Design series 42 includes:	
4	1	4270150	Body seal, frame size 5	
58	1	5004121	port plug VSTI-10 x 1-OR-A3C ISO 6149 NBR	Seals NBR
58	(1)	A000022-02	port plug VSTI-10 x 1-OR-A3C ISO 6149 FPM	Seals FPM
58	(1)	A000023-02	port plug VSTI-10 x 1-OR-A3C, ISO 6149 EPR	Seals EPR
59	1	4046214	port plug M 27 x 2 ISO 6149, NBR	Seals NBR
59	(1)	A000022-09	port plug M 27 x 2 ISO 6149, FPM	Seals FPM
59	(1)	A000023-09	port plug M 27 x 2 ISO 6149, EPR	Seals EPR
63	2	5000902	o-ring 2-010-N552-90; 6,07 x 1,78	Seals NBR
63	(2)	5001012	o-ring 2-010-V747-75; 6,07 x 1,78	Seals FPM
63	(2)	5002535	o-ring 2-010-E540-80; 6,07 x 1,78	Seals EPR
65	1	5000957	o-ring 2-139-N552-90; 55,25 x 2,62	Seals NBR
65	(1)	5001059	o-ring 2-139-V747-75; 55,25 x 2,62	Seals FPM
65	(1)	5004374	o-ring 2-139-E540-80; 55,25 x 2,62	Seals EPR
66	1	5004279	o-ring 2-040-N552-90; 72,75 x 1,78	Seals NBR
66	(1)	5004309	o-ring 2-040-V747-75; 72,75 x 1,78	Seals FPM
66	(1)	5004310	o-ring 2-040-E540-80; 72,75 x 1,78	Seals EPR
67	1	5004280	o-ring 2-048-N552-90; 120,37 x 1,78	Seals NBR
67	(1)	5004321	o-ring 2-048-V747-75; 120,37 x 1,78	Seals FPM
67	(1)	5004322	o-ring 2-048-E540-80; 120,37 x 1,78	Seals EPR
68	1	5000959	o-ring 2-142-N552-90; 59,99 x 2,62	Seals NBR
68	(1)	5004097	o-ring 2-142-V747-75; 59,99 x 2,62	Seals FPM
68	(1)	5004311	o-ring 2-142-E540-80; 59,99 x 2,62	Seals EPR
69	1	5000964	o-ring 2-153-N552-90; 88,57 x 2,62	Seals NBR
69	(1)	5004118	o-ring 2-153-V747-75; 88,57 x 2,62	Seals FPM
69	(1)	5003097	o-ring 2-153-E540-80; 88,57 x 2,62	Seals EPR
70	1	5000963	o-ring 2-151-N552-90; 75,87 x 2,62	Seals NBR
70	(1)	5001064	o-ring 2-151-V747-75; 75,87 x 2,62	Seals FPM
70	(1)	5004312	o-ring 2-151-E540-80; 75,87 x 2,62	Seals EPR
71	1	5004221	o-ring 2-039-N552-90; 69,57 x 1,78	Seals NBR
71	(1)	5004253	o-ring 2-039-V747-75; 69,57 x 1,78	Seals FPM
71	(1)	5004289	o-ring 2-039-E540-80; 69,57 x 1,78	Seals EPR
72	1	5004271	shaft seal BABSL 0,5 70 x 90 x 7-NBR	Seals NBR
72	(1)	5004313	shaft seal BABSL 0,5 70 x 90 x 7-FPM	Seals FPM
72	(1)	A000042-05	shaft seal PTFE, frame size 5 with EPR o-ring	Seals EPR, S
72	(1)	5004481	shaft seal PTFE, frame size 5	Seals P, W
73	1	5004265	self sealing lock nut M 14 x 1,5; SEAL LOCK	
75	1	5001147	back-ring 8-139-N300-90; 56,03 x 2,18	Seals NBR
75	(1)	5004185	back-ring 8-139-V709-90; 56,03 x 2,18	Seals FPM
75	(1)	5004444	back-ring 8-139-E652-90; 56,03 x 2,18	Seals EPR
76	1	5004269	back-ring 8-039-N300-90; 70,31 x 1,35	Seals NBR
76	(1)	5004317	back-ring 8-039-V709-90; 70,31 x 1,35	Seals FPM
76	(1)	5004318	back-ring 8-039-E652-90; 70,31 x 1,35	Seals EPR

**For Parker internal use only!**

Pos.	Qty	Ordering code	Description	Remark
77	1	5004270	back-ring 8-040-N300-90; 73,48 x 1,35	Seals NBR
77	(1)	5004319	back-ring 8-040-V709-90; 73,48 x 1,35	Seals FPM
77	(1)	5004320	back-ring 8-040-E652-90; 73,48 x 1,35	Seals EPR
78	1	5004552	J95 x 3 DIN 472, retainer for shaft seal	
79	1	5000557	port plug VSTI R3/4" ED NBR	NBR, Thread 1
79	(1)	5003578	port plug VSTI R3/4" ED FPM	FPM, Thread 1
79	(1)	5004341	port plug VSTI R3/4" ED EPR	EPR, Thread 1
79	(1)	5003994	port plug 12HP50NS-NBR, 1 1/16-12 UNF	NBR, Thread 3
79	(1)	5004084	port plug 12HP50NS-FPM, 1 1/16-12 UNF	FPM, Thread 3
79	(1)	5004342	port plug 12HP50NS-EPR, 1 1/16-12 UNF	EPR, Thread 3
79	(1)	5004125	port plug VSTI-27 x 2-OR-A3C ISO 6149 NBR	NBR, Thread 7, 8
79	(1)	A000022-09	port plug VSTI-27 x 2-OR-A3C ISO 6149 FPM	FPM, Thread 7, 8
79	(1)	A000023-09	port plug VSTI-27 x 2-OR-A3C ISO 6149 EPR	EPR, Thread 7, 8
80	1	5000550	port plug VSTI R1/4" ED NBR	NBR, Thread 1
80	(1)	5002294	port plug VSTI R1/4" ED FPM	FPM, Thread 1
80	(1)	5002299	port plug VSTI R1/4" ED EPR	EPR, Thread 1
80	(1)	5003588	port plug 4HP50NS-NBR, 7/16-20 UNF	NBR, Thread 3
80	(1)	5003162	port plug 4HP50NS-FPM, 7/16-20 UNF	FPM, Thread 3
80	(1)	5003464	port plug 4HP50NS-EPR, 7/16-20 UNF	EPR, Thread 3
80	(1)	5004122	port plug VSTI-12 x 1,5-OR-A3C ISO 6149 NBR	NBR, Thread 7, 8
80	(1)	A000022-03	port plug VSTI-12 x 1,5-OR-A3C ISO 6149 FPM	FPM, Thread 7, 8
80	(1)	A000023-03	port plug VSTI-12 x 1,5-OR-A3C ISO 6149 EPR	EPR, Thread 7, 8
81	1	5000555	port plug VSTI R1 1/4" ED NBR	NBR, Thread 1
81	(1)	5004257	port plug VSTI R1 1/4" ED FPM	FPM, Thread 1
81	(1)	5004343	port plug VSTI R1 1/4" ED EPR	EPR, Thread 1
81	(1)	20HP50NS	port plug 20HP50NS-NBR, 1 5/8-12 UNF	NBR, Thread 3
81	(1)	5004334	port plug 20HP50NS-FPM, 1 5/8-12 UNF	FPM, Thread 3
81	(1)	5004344	port plug 20HP50NS-EPR, 1 5/8-12 UNF	EPR, Thread 3
81	(1)	5004182	port plug VSTI - 42 x 2-OR-A3C ISO 6149 NBR	NBR, Thread 7, 8
81	(1)	A000022-11	port plug VSTI - 42 x 2-OR-A3C ISO 6149 FPM	FPM, Thread 7, 8
81	(1)	A000023-11	port plug VSTI - 42 x 2-OR-A3C ISO 6149 EPR	EPR, Thread 7, 8
84	1	5004331	o-ring 2-170-N552-90; 196,52 x 2,62	Seals NBR
84	(1)	5004332	o-ring 2-170-V747-75; 196,52 x 2,62	Seals FPM
84	(1)	5004333	o-ring 2-170-E540-80; 196,52 x 2,62	Seals EPR
84	1	5004328	o-ring 2-165-N552-90; 164,77 x 2,62	Seals NBR
84	(1)	5004329	o-ring 2-165-V747-75; 164,77 x 2,62	Seals FPM
84	(1)	5004330	o-ring 2-165-E540-80; 164,77 x 2,62	Seals EPR
84	1	5004326	o-ring 2-164-N552-90; 158,42 x 2,62	Seals NBR
84	(1)	2-164-V747-75	o-ring 2-164-V747-75; 158,42 x 2,62	Seals FPM
84	(1)	5004327	o-ring 2-164-E540-80; 158,42 x 2,62	Seals EPR
84	1	5004323	o-ring 2-163-N552-90; 152,07 x 2,62	Seals NBR
84	(1)	5004324	o-ring 2-163-V747-75; 152,07 x 2,62	Seals FPM
84	(1)	5004325	o-ring 2-163-E540-80; 152,07 x 2,62	Seals EPR
84	1	5004280	o-ring 2-048-N552-90; 120,37 x 1,78	Seals NBR
84	(1)	5004321	o-ring 2-048-V747-75; 120,37 x 1,78	Seals FPM
84	(1)	5004322	o-ring 2-048-E540-80; 120,37 x 1,78	Seals EPR
84	1	5001172	o-ring 2-044-N552-90; 94,97 x 1,78	Seals NBR
84	(1)	5001178	o-ring 2-044-V747-75; 94,97 x 1,78	Seals FPM
84	(1)	5001174	o-ring 2-044-E540-80; 94,97 x 1,78	Seals EPR
84	1	5001000	o-ring 2-042-N552-90; 82,27 x 1,78	Seals NBR
84	(1)	2-042-V747-75	o-ring 2-042-V747-75; 82,27 x 1,78	Seals FPM
84	(1)	5004295	o-ring 2-042-E540-80; 82,27 x 1,78	Seals EPR
84	1	5001185	o-ring 2-041-N552-90; 75,92 x 1,78	Seals NBR
84	(1)	5001184	o-ring 2-041-V747-75; 75,92 x 1,78	Seals FPM
84	(1)	5001182	o-ring 2-041-E540-80; 75,92 x 1,78	Seals EPR
90	1	5000904	o-ring 2-012-N552-90; 9,25 x 1,78	Seals NBR
90	(1)	5001014	o-ring 2-012-V747-75; 9,25 x 1,78	Seals FPM
90	(1)	5002537	o-ring 2-012-E540-80; 9,25 x 1,78	Seals EPR
261	1	5004393	o-ring 6-346-N552-90; 9,4 x 2,1	Seals NBR
261	(1)	5004353	o-ring 6-346-V747-75; 9,4 x 2,1	Seals FPM
261	(1)	5004354	o-ring 6-346-E540-80; 9,4 x 2,1	Seals EPR

**For Parker internal use only!**

Pos.	Qty	Ordering code	Description	Remark
		RK- PVBG5 VT M S 40	<b>Replacement kit</b> <b>Series PV, frame size 5, PV270</b> <b>Connecting bolt kit</b> <b>Metric version</b> <b>SAE/UNC version</b> <b>Design series 40 - 42</b> includes:	
42	4	5000210	hexagon socket head cap screw M 20 x 100 DIN 912 12.9	Threads M
42	(4)	5004335	hexagon socket head cap screw 3/4" - 10 UNC x 4" 12.9	Threads S
43	4	5000088	hexagon socket head cap screw M 8 x 20 DIN 912 12.9	Threads M
43	(4)	5004336	hexagon socket head cap screw Nr. 5/16" - 18 UNC x 3/4" 12.9	Threads S
48	2	5003011	locator pin 8 M6 x 16 DIN 7 St 50K	
		RK- PVBG5 GLE 40	<b>Replacement kit</b> <b>Series PV, frame size 5, PV270</b> <b>Trunnion bearing kit</b> <b>Design series 40 - 42</b> includes:	
6	2	4270200	trunnion bearing HX, frame size 5	
82	2	5004413	hexagon socket countersunk head cap screw M 5 x 10 DIN 7991, coated	
		RK- PVBG5 ROG 40	<b>Replacement kit</b> <b>Series PV, frame size 5, PV270</b> <b>Rotating group</b> <b>Design series 40 - 42</b> includes:	
15	9	3270102	piston and slipper, crimped	
16	1	3270120	cylinder block with bronze sleeves	
17	1	3270121	retainer spring, cylinder block	
20	4	3270109	distance element	
21	1	3270111	slipper retainer plate	
22	2	3270112	retainer segment	
39	1	5004262	snap ring for holes, 72 x 2,5 DIN 472	
41	4	5004276	hexagon socket head cap screw M 8 x 35 DIN 912 12.9, coated	
51	2	5004263	washer SS 56 x 72 x 3 DIN 988	
		RK- PVBG5 KOS 40	<b>Replacement kit</b> <b>Series PV, frame size 5, PV270</b> <b>Piston assembly, set</b> <b>Design series 40 - 42</b> includes:	
15	9	3270102	piston and slipper, crimped	
		RK- PVBG5 SS R L 40	<b>Replacement kit</b> <b>Series PV, frame size 5, PV270</b> <b>Valve plate</b> <b>Clockwise rotation</b> <b>Counter-clockwise rotation</b> <b>Design series 40 - 42</b> includes:	
23	1	3270130	valve plate, clockwise rotation, frame size 5	rotation R
23	(1)	3270131	valve plate, counterclockwise rotation, frame size 5	rotation L
47	1	5003011	locator pin 8 M6 x 16 DIN 7 St	
		RK- PVBG5 SRS 41	<b>Replacement kit</b> <b>Series PV, frame size 5, PV270</b> <b>Swash plate kit</b> <b>Design series 41 - 42</b> includes:	
3	1	4270060	swash plate, finished, frame size 5	
9	1	4270212-1	guide for servo spring, frame size 5	
11	1	4270220-02	swash plate connector, frame size 5	
60	1	5004274	chain link, 596 - 111 DIN 8187	

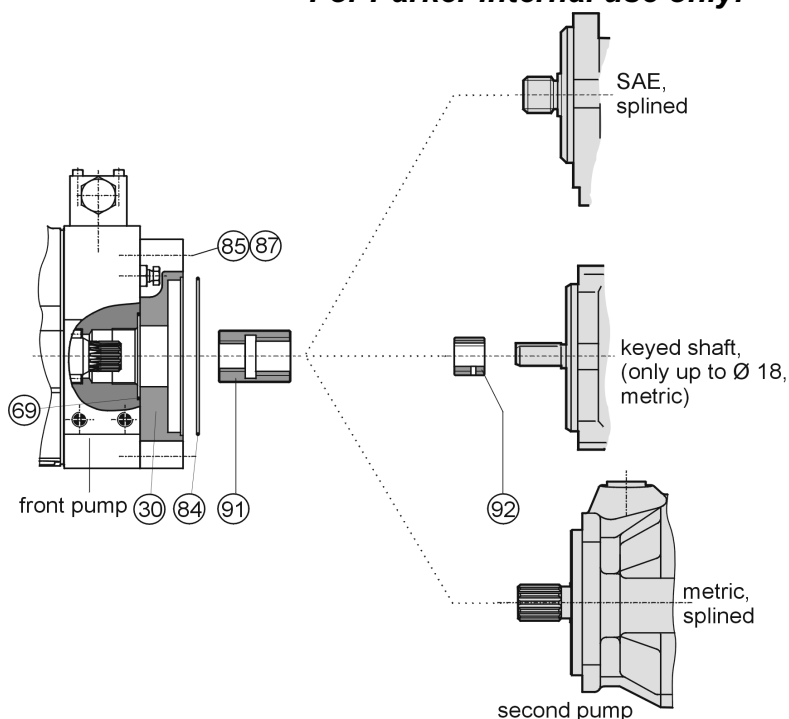
**For Parker internal use only!**

Pos.	Qty	Ordering code	Description	Remark
		RK- PVBG5 WP WZ M S 40	<b>Replacement kit</b> <b>Series PV, frame size 5, PV270</b> <b>Shaft unit, keyed</b> <b>Shaft unit, splined</b> <b>Metric version</b> <b>SAE/UNC version</b> <b>Design series 40 - 42</b> includes:	
14	1	4270140	shaft, keyed, metric, frame size 5	keyed, metric
14	(1)	4270144	shaft, splined, metric, frame size 5	splined, metric
14	(1)	4270143	shaft, keyed, SAE, frame size 5	keyed, SAE
14	(1)	4270147	shaft, splined, SAE, frame size 5	splined, SAE
37	1	5004260	key, 18 x 11 x 100 DIN 6885 St	keyed, metric
37	(1)	3270139	key, 12,7 x 12,7 x 75,5	keyed, SAE
38	1	5004258	snap ring for shaft, 65 x 4 DIN 471	
52	1	5004259	washer SS 65 x 85 x 2 DIN 988	
57	1	5004305	roller bearing RSL192308	
62	1	5004261	roller bearing NUP - 2213 - EC,	
		RK- PV270 HE N V E 41	<b>Replacement kit</b> <b>Series PV, frame size 5, PV270</b> <b>Displacement limiter, adjustable</b> <b>Seals NBR</b> <b>Seals FPM</b> <b>Seals EPR</b> <b>Design series 41 - 42</b> includes:	
28	1	P270040	servo piston cover	
29	1	P270041-02	stroke limiter M 14 x 1,5	
70	1	5000963	o-ring 2-151-N552-90; 75,87 x 2,62	Seals NBR
70	(1)	5001064	o-ring 2-151-V747-75; 75,87 x 2,62	Seals FPM
70	(1)	5004312	o-ring 2-151-E540-80; 75,87 x 2,62	Seals EPR
73	1	5004265	self sealing lock nut M 14 x 1,5; SEAL LOCK	
		RK- PVBG5 SKS 42	<b>Replacement kit</b> <b>Series PV, frame size 5, PV270</b> <b>Servo piston kit</b> <b>Design series 42</b> includes:	
27	1	P270032-03	servo piston, frame size 5, without seal	
50	1	5000579	washer SS 26 x 37 x 2 DIN 988	
		RK- PVBG5 RFS 40	<b>Replacement kit</b> <b>Series PV, frame size 5, PV270</b> <b>Servo spring kit</b> <b>Design series 40 - 42</b> includes:	
7	1	4270210-1	spring washer, servo spring, frame size 5	
8	1	4270211	servo spring, frame size 5	
10	1	4270213	servo spring plug, frame size 5	
45	1	5004306	Connex LG 25 x 120, roll pin	

**For Parker internal use only!**

Pos.	Qty	Ordering code	Description	Remark
		RK- PVBG5 SB N V E 42	<b>Replacement kit</b> <b>Series PV, frame size 5, PV270</b> <b>Servo piston sleeve</b> <b>Seals NBR</b> <b>Seals FPM</b> <b>Seals EPR</b> <b>Design series 40 - 42</b> includes:	
26	1	P270031-03	servo piston sleeve frame size 5	
66	1	5004279	o-ring 2-040-N552-90; 72,75 x 1,78	Seals NBR
66	(1)	5004309	o-ring 2-040-V747-75; 72,75 x 1,78	Seals FPM
66	(1)	5004310	o-ring 2-040-E540-80; 72,75 x 1,78	Seals EPR
71	1	5004221	o-ring 2-039-N552-90; 69,57 x 1,78	Seals NBR
71	(1)	5004253	o-ring 2-039-V747-75; 69,57 x 1,78	Seals FPM
71	(1)	5004289	o-ring 2-039-E540-80; 69,57 x 1,78	Seals EPR
76	1	5004269	back-ring 8-039-N300-90; 70,31 x 1,35	Seals NBR
76	(1)	5004317	back-ring 8-039-V709-90; 70,31 x 1,35	Seals FPM
76	(1)	5004318	back-ring 8-039-E652-90; 70,31 x 1,35	Seals EPR
77	1	5004270	back-ring 8-040-N300-90; 73,48 x 1,35	Seals NBR
77	(1)	5004319	back-ring 8-040-V709-90; 73,48 x 1,35	Seals FPM
77	(1)	5004320	back-ring 8-040-E652-90; 73,48 x 1,35	Seals EPR
32		RK- PV000 EV N V E 40	<b>Replacement kit</b> <b>Series PV, alle frame sizes</b> <b>Air bleed valve</b> <b>Seals NBR</b> <b>Seals FPM</b> <b>Seals EPR</b> <b>Design series 40 - 42</b> includes:	
260	1	3046163	body air bleed valve	
261	1	5004393	o-ring 6-346-N552-90; 9,4 x 2,1	Seals NBR
261	(1)	5004353	o-ring 6-346-V747-75; 9,4 x 2,1	Seals FPM
261	(1)	5004354	o-ring 6-346-E540-80; 9,4 x 2,1	Seals EPR
262	1	A000026	spring air bleed valve	
263	1	5001434	ball Ø 6,35, tungsten carbide, class G20	
264	1	5000769	roll pin, 2 x 10 DIN 1481	
13		RK- PVBG5 KH O T U W Y Z 2 3 41	<b>Replacement kit</b> <b>Series PV, frame size 5, PV270</b> <b>Feedback- / contour sleeve</b> <b>Feedback sleeve for standard pumps</b> <b>Contour sleeve for horse power compensated pumps, 37 kW</b> <b>Contour sleeve for horse power compensated pumps, 45 kW</b> <b>Contour sleeve for horse power compensated pumps, 55 kW</b> <b>Contour sleeve for horse power compensated pumps, 75 kW</b> <b>Contour sleeve for horse power compensated pumps, 90 kW</b> <b>Contour sleeve for horse power compensated pumps, 110 kW</b> <b>Contour sleeve for horse power compensated pumps, 132 kW</b> <b>Design series 41 - 42</b> includes:	
13	1	4270223-02	Feedback sleeve frame size 5	
13	(1)	P270119-11	Contour sleeve frame size 5, 37 kW	horse power code T
13	(1)	P270119-12	Contour sleeve frame size 5, 45 kW	horse power code U
13	(1)	P270119-13	Contour sleeve frame size 5, 55 kW	horse power code W
13	(1)	P270119-14	Contour sleeve frame size 5, 75 kW	horse power code Y
13	(1)	P270119-15	Contour sleeve frame size 5, 90 kW	horse power code Z
13	(1)	P270119-16	Contour sleeve frame size 5, 110 kW	horse power code 2
13	(1)	P270119-17	Contour sleeve frame size 5, 132 kW	horse power code 3

**For Parker internal use only!**



Pos.	Qty	Ordering code	Description	Remark
		MK- PVBG5	<b>mounting kit: coupling for thru drive pump PV series, frame size 5, PV270</b>	
		K01	<b>Second pump: metric splined shaft N25 x 1,5 x 15 DIN 5480</b>	
		K02	<b>Second pump: metric splined shaft N32 x 1,5 x 20 DIN 5480</b>	
		K03	<b>Second pump: metric splined shaft N40 x 1,5 x 25 DIN 5480</b>	
		K04	<b>Second pump: metric splined shaft N50 x 2 x 24 DIN 5480</b>	
		K05	<b>Second pump: metric splined shaft N60 x 2 x 28 DIN 5480</b>	
		K11	<b>Second pump: SAE splined shaft 9T16/32DP flat root side fit</b>	
		K12	<b>Second pump: SAE splined shaft 11T16/32DP flat root side fit</b>	
		K13	<b>Second pump: SAE splined shaft 13T16/32DP flat root side fit</b>	
		K14	<b>Second pump: SAE splined shaft 15T16/32DP flat root side fit</b>	
		K15	<b>Second pump: SAE splined shaft 14T12/24DP flat root side fit</b>	
		K16	<b>Second pump: SAE splined shaft 17T12/24DP flat root side fit</b>	
		K17	<b>Second pump: SAE splined shaft 13T8/16DP flat root side fit</b>	
		K18	<b>Second pump: SAE splined shaft 15T8/16DP flat root side fit</b>	
		K20	<b>Second pump: metric keyed shaft Ø 12 mm</b>	
		K21	<b>Second pump: metric keyed shaft Ø 16 mm</b>	
		K22	<b>Second pump: metric keyed shaft Ø 18 mm</b>	
		40	<b>Design series 40 - 42</b> includes:	
91	1	3270081-22	coupling, metric, N60 x 2 x 28 DIN 5480	shaft K05
91	(1)	3270081-23	coupling, metric, N50 x 2 x 24 DIN 5480	shaft K04
91	(1)	3270081-2	coupling, metric, N40 x 1,5 x 25 DIN 5480	shaft K03
91	(1)	3270081-3	coupling, metric, N32 x 1,5 x 20 DIN 5480	shaft K02, K20, K21, K22
91	(1)	3270081-4	coupling, metric, N25 x 1,5 x 15 DIN 5480	shaft K01
91	(1)	3270082-20	coupling, SAE, 15T8/16DP, flat root, side fit	shaft K18
91	(1)	3270082-2	coupling, SAE, 13T8/16DP, flat root, side fit	shaft K17
91	(1)	3270082-3	coupling, SAE, 17T12/24DP, flat root, side fit	shaft K16
91	(1)	3270082-4	coupling, SAE, 14T12/24DP, flat root, side fit	shaft K15
91	(1)	3270082-5	coupling, SAE, 15T16/32DP, flat root, side fit	shaft K14
91	(1)	3270082-6	coupling, SAE, 13T16/32DP, flat root, side fit	shaft K13
91	(1)	3270082-9	coupling, SAE, 11T16/32DP, flat root, side fit	shaft K12
91	(1)	3270082-7	coupling, SAE, 9T16/32DP, flat root, side fit	shaft K11
92	(1)	3046083-1	adaptor for keyed shaft Ø 18 (also needed: pos 91, shaft K02)	shaft K22
92	(1)	3046083-2	adaptor for keyed shaft Ø 16 (also needed: pos 91, shaft K02)	shaft K21
92	(1)	3046083-3	adaptor for keyed shaft Ø 12 (also needed: pos 91, shaft K02)	shaft K20



**For Parker internal use only!**

Pos.	Qty	Ordering code	Description	Remark
		MK- PVBG5 A B C D E H J K L M T M S N V E 40	mounting kit: adaptor for thru drive pump PV series, frame size 5, PV270 for second pump SAE A, Ø 82,55 for second pump SAE B, Ø 101,6 for second pump SAE C, Ø 127 for second pump SAE D, Ø 152,4 for second pump SAE E, Ø 165,1 for second pump, metric Ø 80 for second pump, metric Ø 100 for second pump, metric Ø 125 for second pump, metric Ø 160 for second pump, metric Ø 200 for pump prepared for thru drive (cover plate) metric screws UNC screws seals NBR seals FPM seals EPR Design series 40 - 42 includes:	Screws, washers etc. needed to fix the second pump to the adaptor are not included in the kit
30	1	4270071-4	thru drive adaptor SAE A, Ø 82,55, metric screws	interf. A, screws M
30	(1)	4270071-4S	thru drive adaptor SAE A, Ø 82,55, UNC screws	interf. A, screws S
30	(1)	4270071-3	thru drive adaptor SAE B, Ø 101,6, metric screws	interf. B, screws M
30	(1)	4270071-3S	thru drive adaptor SAE B, Ø 101,6, UNC screws	interf. B, screws S
30	(1)	4270071-2	thru drive adaptor SAE C, Ø 127, metric screws	interf. C, screws M
30	(1)	4270071-2S	thru drive adaptor SAE C, Ø 127, UNC screws	interf. C, screws S
30	(1)	4270071-1	thru drive adaptor SAE D, Ø 152,4, metric screws	interf. D, screws M
30	(1)	4270071-1S	thru drive adaptor SAE D, Ø 152,4, UNC screws	interf. D, screws S
30	(1)	4270071-0	thru drive adaptor SAE E, Ø 165,1, metric screws	interf. E, screws M
30	(1)	4270071-0S	thru drive adaptor SAE E, Ø 165,1, UNC screws	interf. E, screws S
30	(1)	4270070-4	thru drive adaptor, metric Ø 80, metric screws	interf. H, screws M
30	(1)	4270070-4S	thru drive adaptor, metric Ø 80, UNC screws	interf. H, screws S
30	(1)	4270070-3	thru drive adaptor, metric Ø 100, metric screws	interf. J, screws M
30	(1)	4270070-3S	thru drive adaptor, metric Ø 100, UNC screws	interf. J, screws S
30	(1)	4270070-2	thru drive adaptor, metric Ø 125, metric screws	interf. K, screws M
30	(1)	4270070-2S	thru drive adaptor, metric Ø 125, UNC screws	interf. K, screws S
30	(1)	4270070-1	thru drive adaptor, metric Ø 160, metric screws	interf. L, screws M
30	(1)	4270070-1S	thru drive adaptor, metric Ø 160, UNC screws	interf. L, screws S
30	(1)	4270070-0	thru drive adaptor, metric Ø 200, metric screws	interf. M, screws M
30	(1)	4270070-0S	thru drive adaptor, metric Ø 200, UNC screws	interf. M, screws S
31	1	A000021	cover plate for thru drive	option T
69	1	5000964	o-ring 2-153-N552-90; 88,57 x 2,62	seals NBR
69	(1)	5004118	o-ring 2-153-V747-75; 88,57 x 2,62	seals FPM
69	(1)	5003097	o-ring 2-153-E540-80; 88,57 x 2,62	seals EPR

**For Parker internal use only!**

Pos.	Qty	Ordering code	Description	Remark
84	1	5001185	o-ring 2-041-N552-90; 75,92 x 1,78	interf. H, NBR
84	(1)	5001184	o-ring 2-041-V747-75; 75,92 x 1,78	interf. H, FPM
84	(1)	5001182	o-ring 2-041-E540-80; 75,92 x 1,78	interf. H, EPR
84	1	5001000	o-ring 2-042-N552-90; 82,27 x 1,78	interf. A, NBR
84	(1)	2-042-V747-75	o-ring 2-042-V747-75; 82,27 x 1,78	interf. A, FPM
84	(1)	5004295	o-ring 2-042-E540-80; 82,27 x 1,78	interf. A, EPR
84	1	5001172	o-ring 2-044-N552-90; 94,97 x 1,78	interf. B, J, NBR
84	(1)	5001178	o-ring 2-044-V747-75; 94,97 x 1,78	interf. B, J, FPM
84	(1)	5001174	o-ring 2-044-E540-80; 94,97 x 1,78	interf. B, J, EPR
84	1	5004280	o-ring 2-048-N552-90; 120,37 x 1,78	interf. C, K, NBR
84	(1)	5004321	o-ring 2-048-V747-75; 120,37 x 1,78	interf. C, K, FPM
84	(1)	5004322	o-ring 2-048-E540-80; 120,37 x 1,78	interf. C, K, EPR
84	(1)	5004323	o-ring 2-163-N552-90; 152,07 x 2,62	interf. D, NBR
84	(1)	5004324	o-ring 2-163-V747-75; 152,07 x 2,62	interf. D, FPM
84	(1)	5004325	o-ring 2-163-E540-80; 152,07 x 2,62	interf. D, EPR
84	(1)	5004326	o-ring 2-164-N552-90; 158,42 x 2,62	interf. L, NBR
84	(1)	2-164-V747-75	o-ring 2-164-V747-75; 158,42 x 2,62	interf. L, FPM
84	(1)	5004327	o-ring 2-164-E540-80; 158,42 x 2,62	interf. L, EPR
84	(1)	5004328	o-ring 2-165-N552-90; 164,77 x 2,62	interf. E, NBR
84	(1)	5004329	o-ring 2-165-V747-75; 164,77 x 2,62	interf. E, FPM
84	(1)	5004330	o-ring 2-165-E540-80; 164,77 x 2,62	interf. E, EPR
84	(1)	5004331	o-ring 2-170-N552-90; 196,52 x 2,62	interf. M, NBR
84	(1)	5004332	o-ring 2-170-V747-75; 196,52 x 2,62	interf. M, FPM
84	(1)	5004333	o-ring 2-170-E540-80; 196,52 x 2,62	interf. M, EPR
85	4	5000177	hexagon socket head cap screw M 16 x 40 DIN 912 12.9	screws M
85	(4)	5004337	hexagon socket head cap screw 5/8" - 11 UNC x 1 1/2", 12.9	screws S
87	2	5003011	locator pin 8 M6 x 16 DIN 7	not for option T
97	2	5000114	hexagon socket head cap screw M 10 x 20 DIN 912 12.9	option T, screws M
97	(2)	5002984	hexagon socket head cap screw 3/8" - 16 UNC x 3/4", 12.9	option T, screws S

**For Parker internal use only!**

pos.	qty	ordering code	description	remark
			<b>other parts</b>	
1	1	4270030	pump body, metric interface, BSPP ports, metric threads	
1	(1)	4270028	pump body, metric interface, ISO 6149 ports, metric threads	
1	(1)	4270022	pump body, SAE interface, BSPP ports, metric threads	
1	(1)	4270020	pump body, SAE interface, ISO 6149 ports, metric threads	
1	(1)	4270026	pump body, SAE interface, UNF ports, UNC threads	
1	(1)	4270024	pump body, SAE interface, ISO 6149 ports, UNC UNC threads	
2	1	4270050	end cover, clockwise, metric threads, BSPP ports, thru drive	
2	(1)	4270051	end cover, clockwise, metric threads, ISO 6149 ports, thru drive	
2	(1)	4270052	end cover, counter-clockwise, metric threads, BSPP ports, thru drive	
2	(1)	4270053	end cover, counter-clockwise, metric threads, ISO 6149 ports, thru drive	
2	(1)	4270054	end cover, clockwise, UNC threads, UNF ports, thru drive	
2	(1)	4270055	end cover, clockwise, UNC threads, ISO 6149 ports, thru drive	
2	(1)	4270056	end cover, counter-clockwise, UNC threads, UNF ports, thru drive	
2	(1)	4270057	end cover, counter-clockwise, UNC threads, ISO 6149 ports, thru drive	
5	1	4270156	swash plate carrier	
18	1	3270035	pilot cover, metric	
18	(1)	3270037	pilot cover, SAE	
35	1	0002	rotation indicator plate, clockwise, german	
35	(1)	0003	rotation indicator plate, clockwise, english	
35	1	0007	rotation indicator plate, counter-clockwise, german	
35	(1)	0009	rotation indicator plate, counter-clockwise, english	
36	(1)	0012	name plate PV pumps, german	
36	(1)	0014	name plate PV pumps, english	
44	4	5000776	rivet for name plate mounting, 2 x 4 DIN 1476 St	
46	2	5004273	locator pin, swash plate carrier, S14 x 35, 1.8159, VSM 1278	
53	2	3046158-5	magnet cover PV BG5	
54	1	3046159	magnet cover, thru drive	with adapter
55	1	GPN710-R1 1/4	protecting plug drain port, BSPP	
55	(1)	GPN700-M42x2	protecting plug drain port, ISO 6149	
55	(1)	GPN700-15/8-12	protecting plug drain port, UNF	
83	4	5004408	hexagon socket head cap screw, swash plate carrier, M8 x 25 DIN 912 12.9 TUF-LOCK	